

EASYCONNECT

Cable Management Box Installation & Setup Guide



MODELS

EC-P-CH
EC-P-DK
EC-P-EU
EC-P-UNI
EC-P-US
EC-PK-CH
EC-PK-DK
EC-PK-EU
EC-PK-UNI
EC-PK-US

INSTALLATION CONSIDERATIONS

- This guide covers installing and setting up the EasyConnect Cable Management Box.
- See the product datasheets on [biamp.com](https://www.biamp.com) for each EasyConnect's specifications.

Included in the Box

EC-P & EC-PK

All cables are 59" (1.5m)

- Cable Management Box
- 2 Cat5e Ethernet
- 1 HDMI 1.4
- 1 USB 2.0 Type A-A

Not Shown

- 2 Mounting brackets
- 2 Small screws
- 4 Medium screws
- 4 Large screws
- 6 Hole plugs
- 6 Cable blanks
- 6 Split grommets
- Zip ties
- Safety guide
- QR-code sheet



Cat5e



USB-A



HDMI



NOTE: Power connector cordset not included

EC-PK only

- Impera Echo Plus 8EUB Black
- Impera Echo Plus mounting bracket and frame

Not Shown

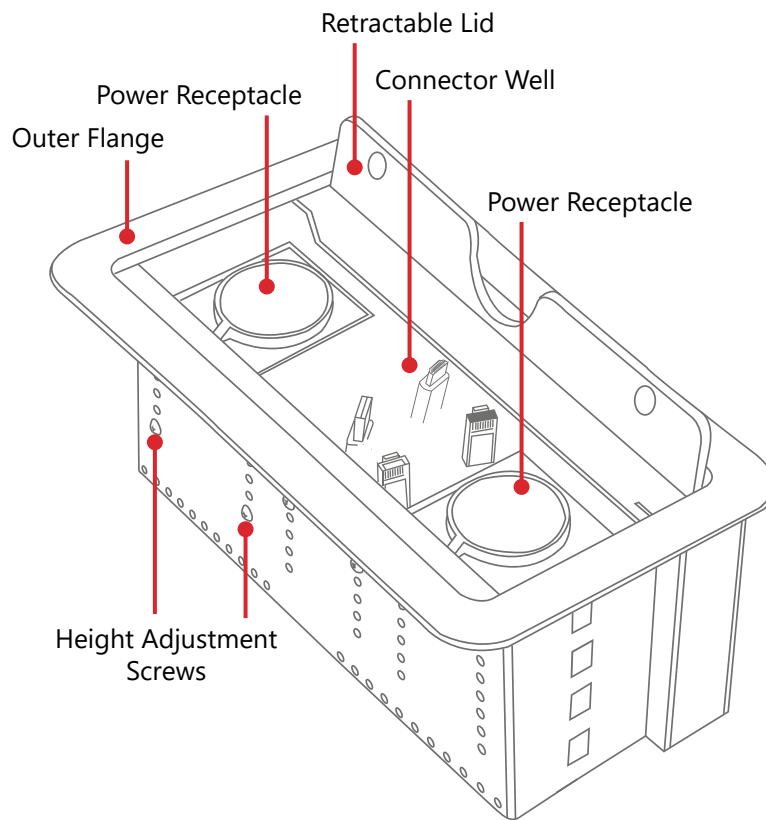
- Echo Plus silver sheet
- Echo Plus plastic cover plate
- Echo Plus Euro blocks



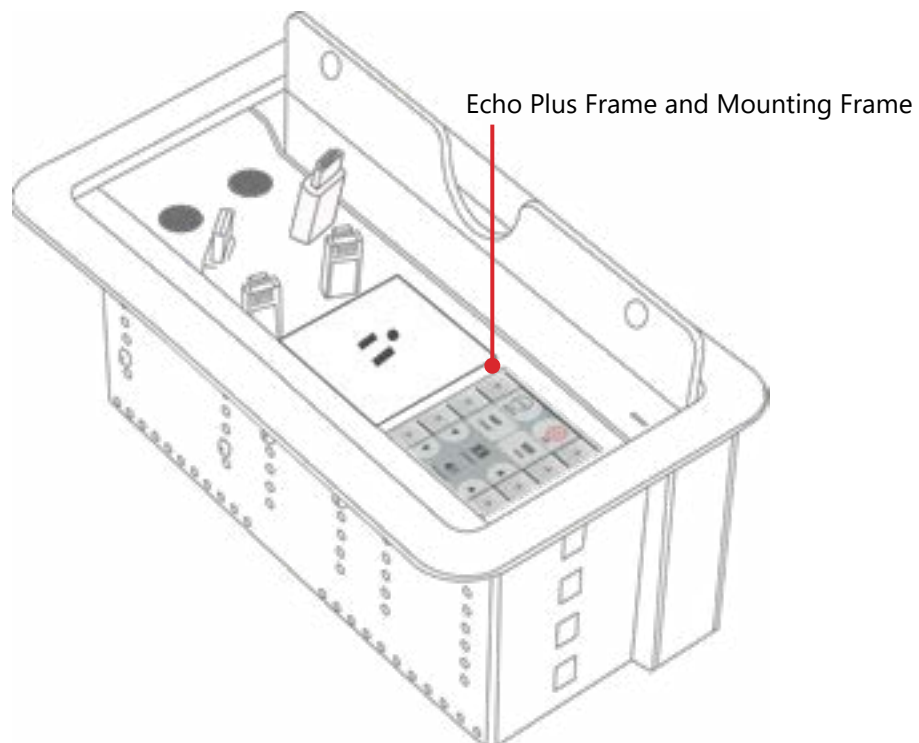
Device Layout



EC-P



EC-PK

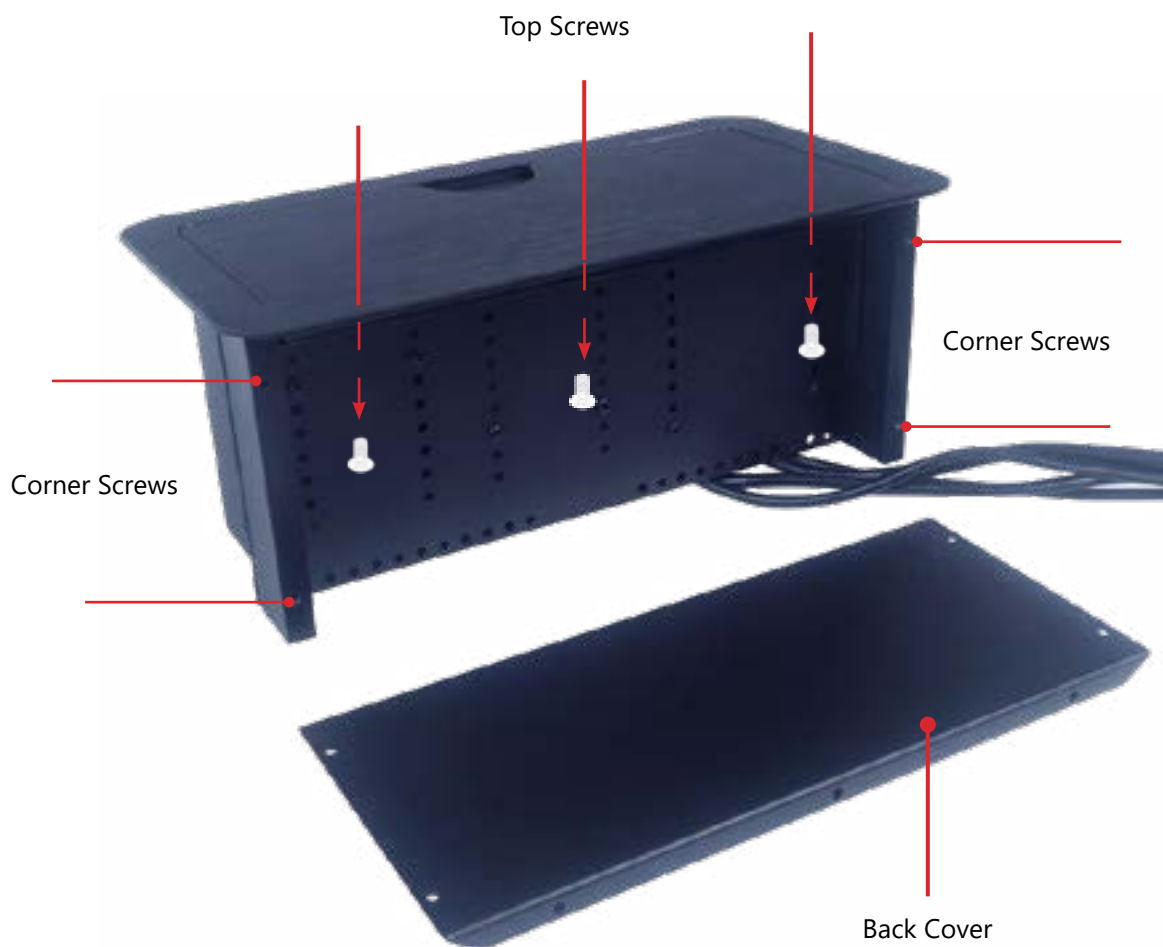


Optional Adjustment

Adjust the depth of connector plate

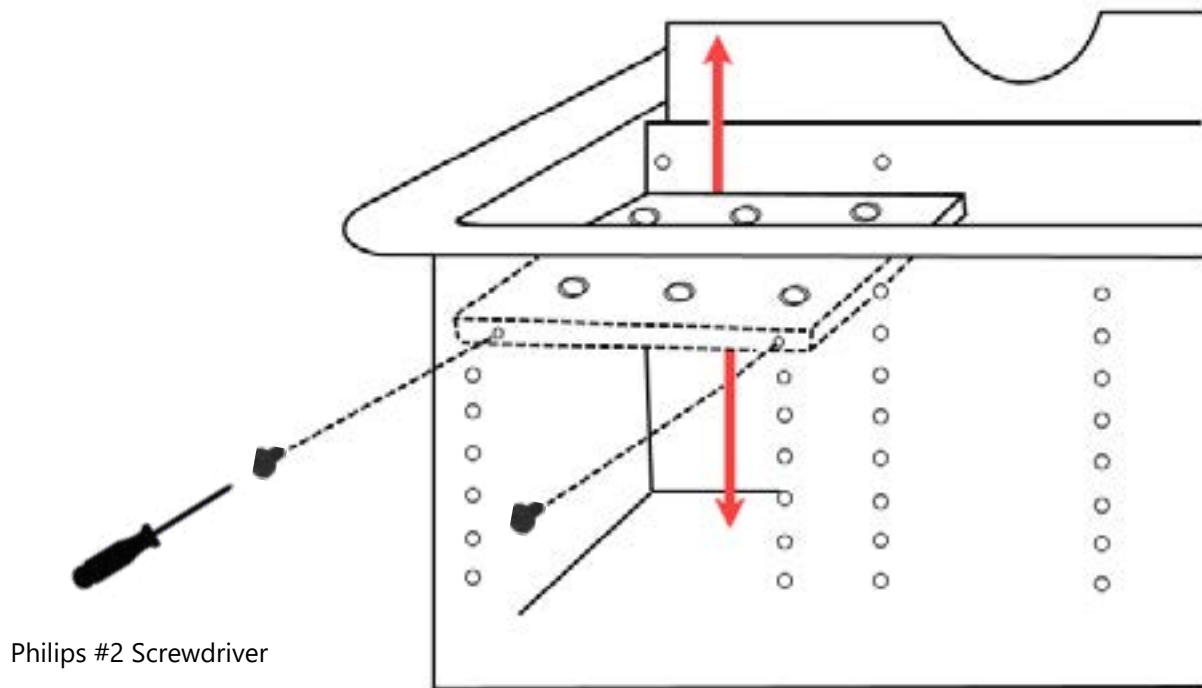
The connector plate can be adjusted for more or less depth. If not required, **go to Step 2.**

1. Detach the four corner screws and three top screws to remove the back cover of the unit.



Optional Adjustment Continued

2. Remove the four height adjustment screws (2 each on the front and back of the unit) that secure the connector plate that is being adjusted.
3. Adjust the connector plate by pushing it up or down to the desired position.
4. Reattach the height adjustment screws.



Cut the tabletop opening and install

Install the EasyConnect into a tabletop using the provided cutout template, either before or after connecting the cables.

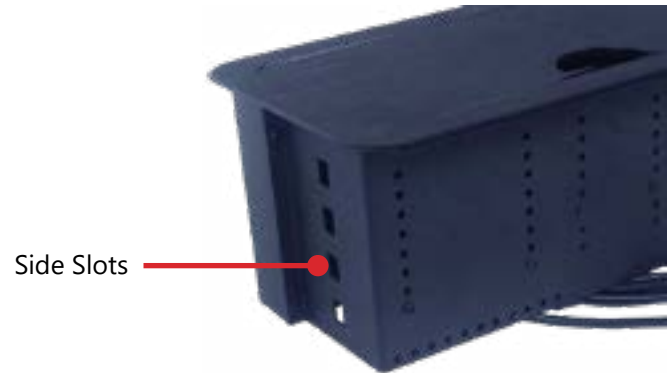
1. Choose the desired location for the EasyConnect device.
2. Peel the backing from the template to reveal the adhesive side and firmly attach it to the mounting surface.
3. Use the appropriate tools to cut a hole according to the template markings.
4. Gently slide the unit into the designated opening in the mounting surface.



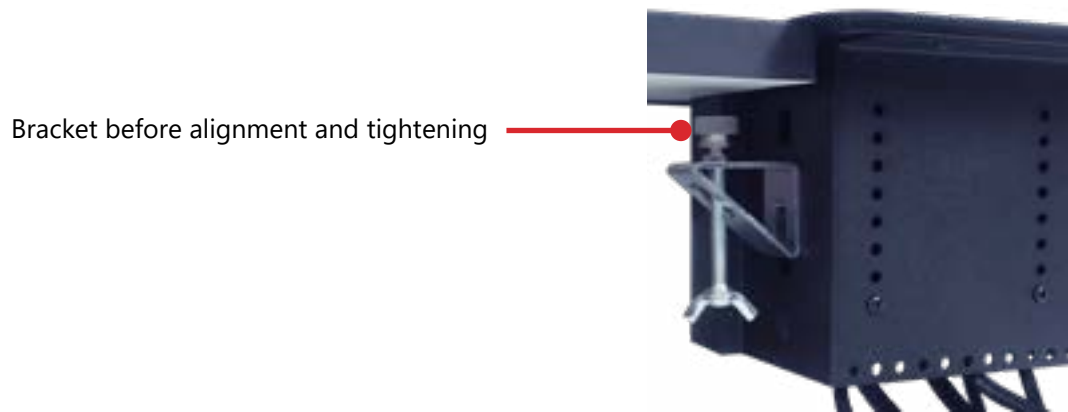
Table cutaway to show installed EasyConnect above and below the tabletop

Install the mounting brackets

1. Insert the brackets into the slots on each side of the unit from underneath the table surface.



2. Ensure proper alignment before tightening the mounting screws.



3. Tighten the screws until the top nut contacts the mounting surface, ensuring a firm grip.

NOTE: The table plate thickness should not exceed 2.36" (60 mm).



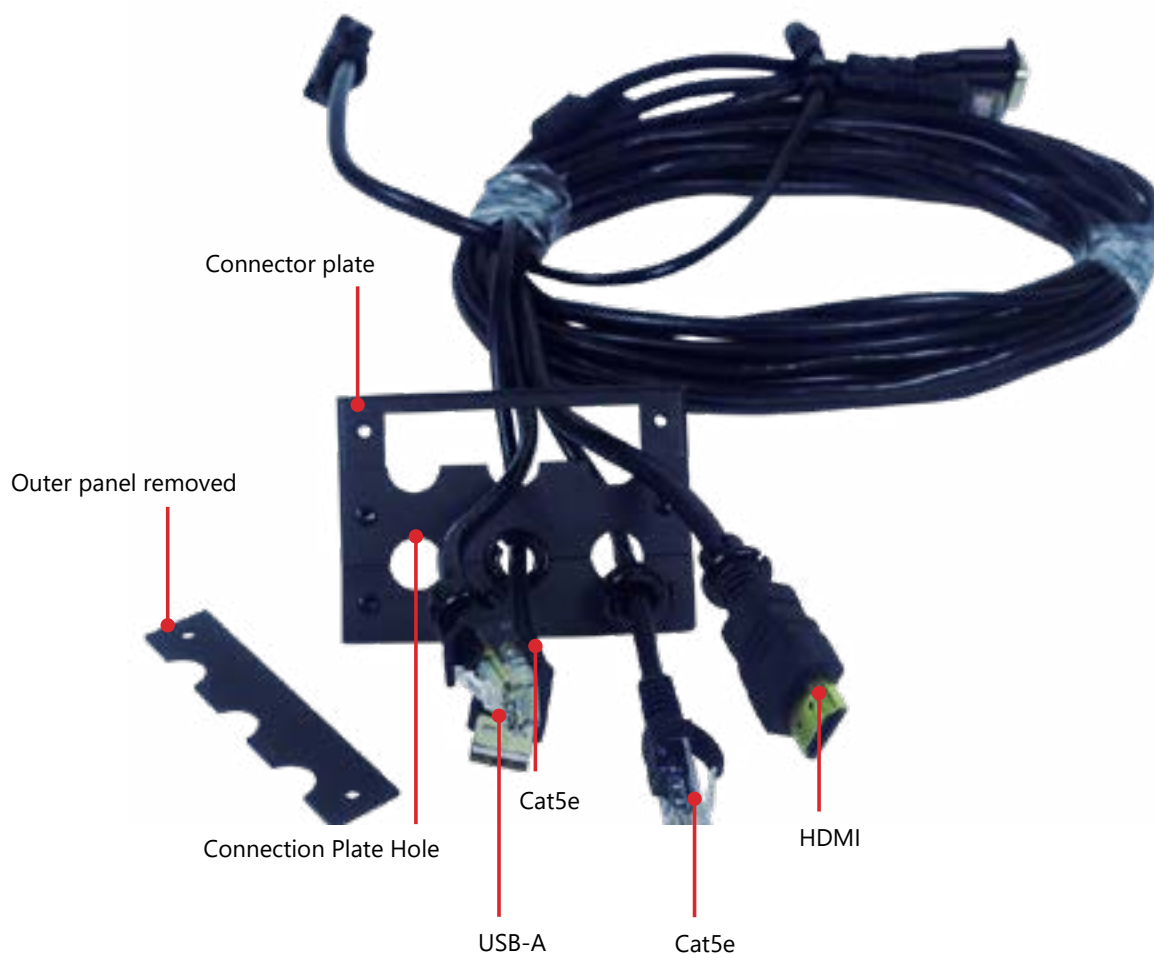
Brackets tightened & installed

Customize Cables

The EasyConnect Cable Management Box enables user to reposition or remove existing cables, or add optional new ones.

1. Remove the back cover and adjustment screws at the connection box. Refer to [instructions](#) on page 4.
2. Pull up and out to remove the connector plate and cables.

Cable assembly



3. Separate the three-paneled plate by unscrewing and removing one or both of the outer panels to relocate or add optional cables as needed.
4. Remove the split grommets from each cable that requires adjustment, or slide them up to top of the cable to prevent obstruction while adjusting cables.
5. Add, remove, or reorganize the cables. Ensure that a split grommet is installed on any newly added cables.
6. Reattach the outer panels to the connector plate to secure the cords, ensuring the split grommets remain above the panels.

Customize Cables Continued

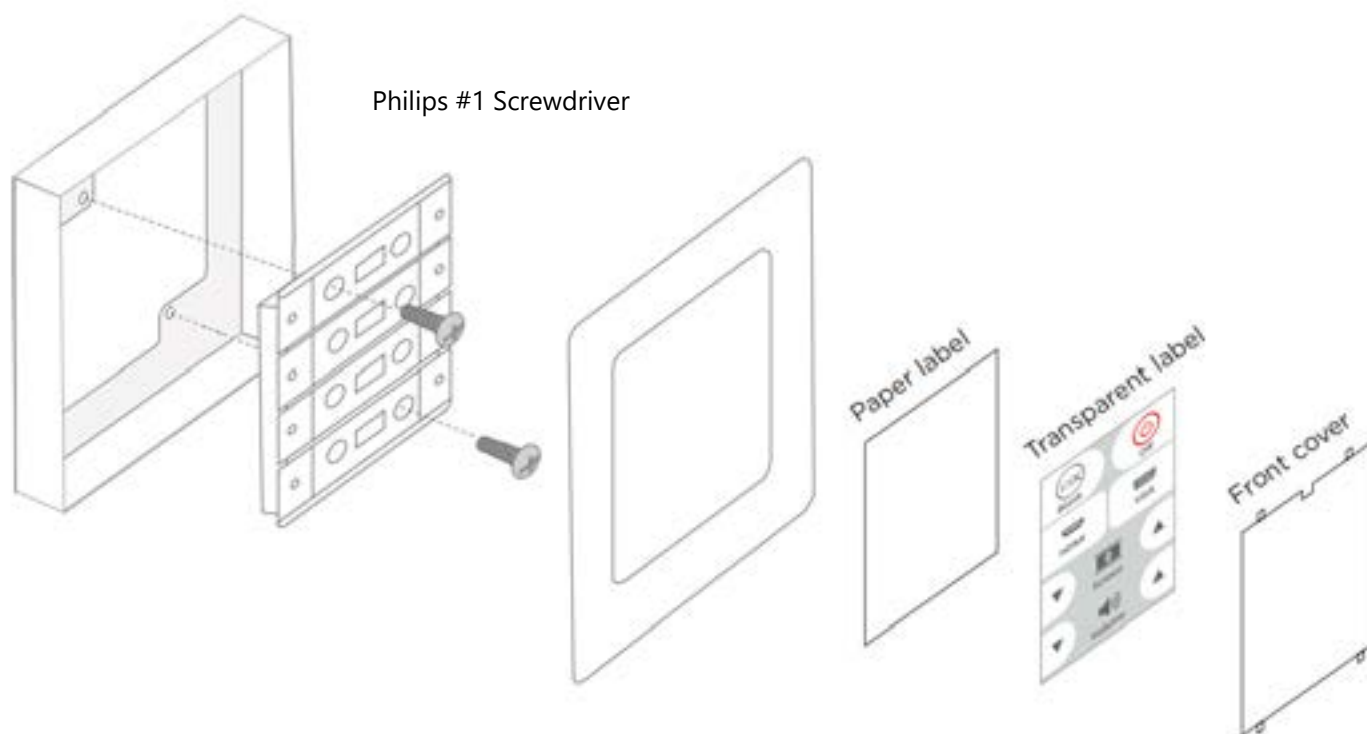
7. Thread the cable assembly up from the bottom of the unit to the desired position and reattach the adjustment screws.
8. Slide the grommets downward toward the connector plate and secure them by pushing them into the holes until they click.
9. Cover any unused holes in the connector plate with the provided hole covers.
10. Reattach the back cover.

Note: Click [here](#) for more Biamp cable options.

Install Echo Plus into EasyConnect

1. Place the square bracket into the box frame and align screw holes with those of the box frame.
2. Insert the Echo Plus into the frame and align the screw holes.
3. Insert and tighten the screws to secure the Echo Plus (do not over tighten).
4. See the [Echo Plus](#) manual for more details and instructions to create and print the transparent label.
5. Insert the label showing the button functions.
6. Mount the front cover.

Note: The front cover mounts in only one direction.





www.biamp.com



support.biamp.com



support@biamp.com



9300 SW Gemini Drive, Beaverton, OR 97008 USA

Warranty: biamp.com/legal/warranty-information

Safety & Compliance: biamp.com/compliance