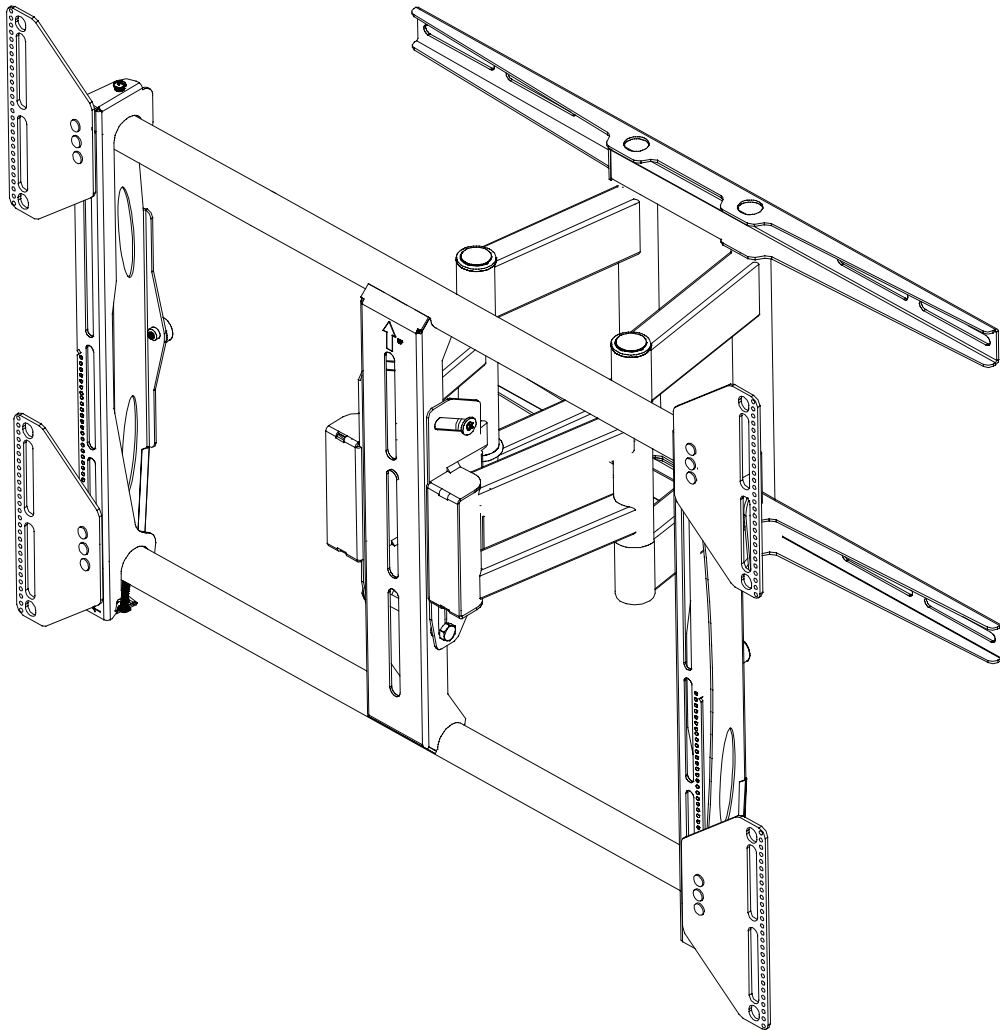


PFW 6851

Installation Guide

Installationsanleitung, Guía de Instalación, Guida de Installazione,
Guide d'Installation, Installatie gids



- (GB) Subject to printing errors and technical amendments.
- (NL) Drukfouten en technische wijzigingen voorbehouden.
- (F) Sous réserve de fautes d'impression et de modifications techniques.
- (D) Für Druckfehler übernehmen wir keine Verantwortung. Technische Änderungen vorbehalten.
- (E) Reservados errores de imprenta y sujete a modificaciones.
- (I) Con riserva di modifiche tecniche e di eventuali errori di stampa.
- (P) Reserva-se a ocorrência de gralhas e de modificações técnicas.
- (H) Nyomdahibák és technikai változtatások joga fenntartva.
- (PL) Zastrzeżenie się możliwość występowania błędów drukarskich i zmian technicznych.
- (RUS) Возможны ошибки при печати и технические модификации.

Designed and engineered in the Netherlands
More information on: www.vogels.com

VOGEL'S PRODUCTS BV, HONDSRUGLAAN 93, 5628 DB EINDHOVEN, THE NETHERLANDS



Max: 80 kg/175 lbs

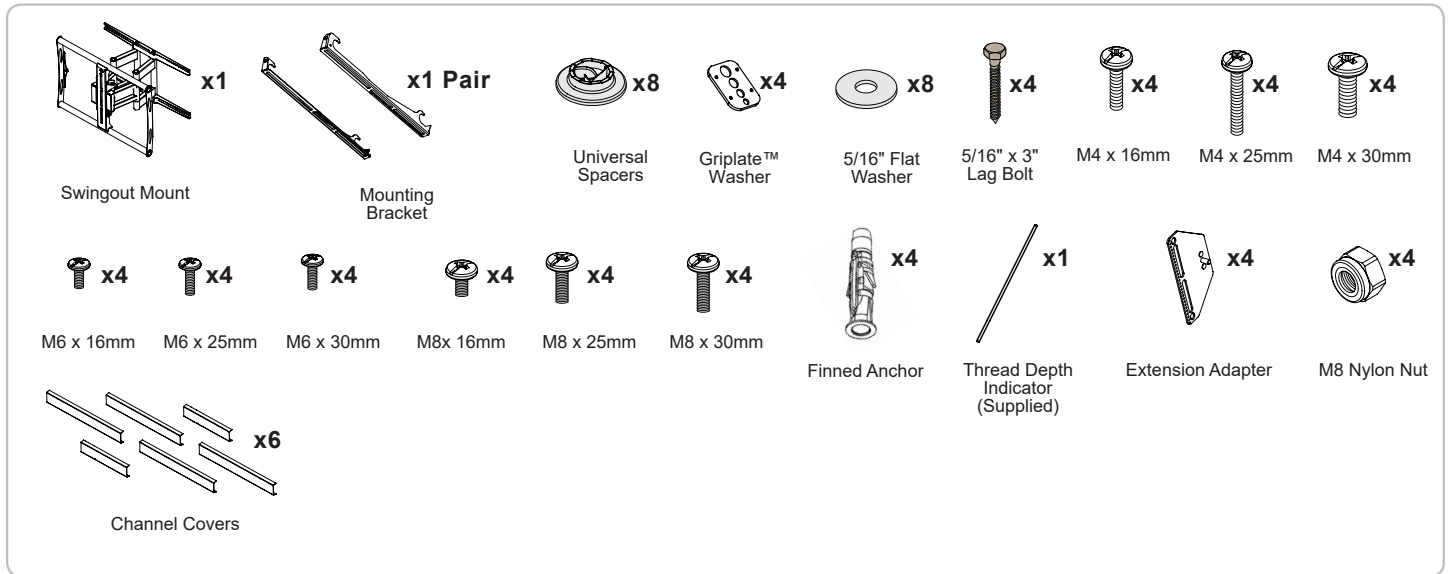
PFW 6851

Installation Guide

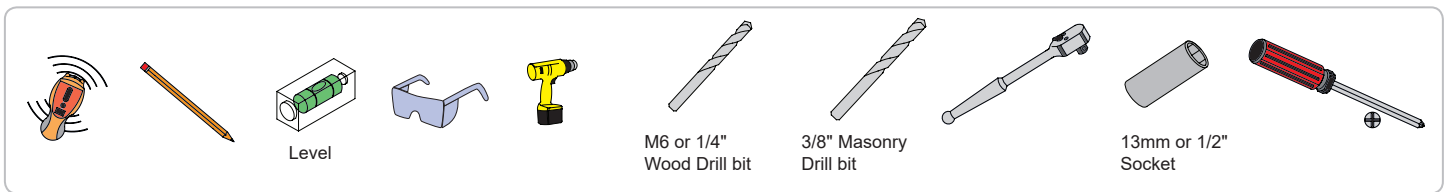
Installationsanleitung, Guía de Instalación, Guida de Installazione, Guide d'Installation, Installatie gids

Maximum Flat Panel Weight:
175 lb. / 80 kg.

Included components



Required for installation



Introduction



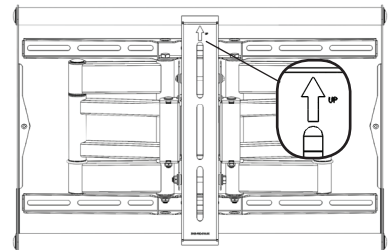
Directional Mounting Arrow

The Directional Mounting Arrow stamped into the PFW 6851 Mount indicates which edge is the top.



Mounting Safety

Two people are recommended for this step



1

Wood Installation

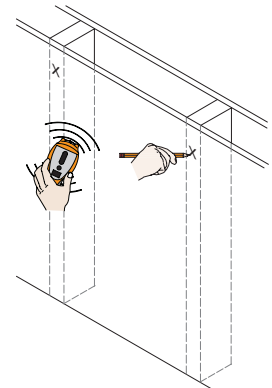


Minimum of 2 x 4 wood stud to be used



You must secure the mount to two (2) wall studs with a minimum of four (4) lag bolts (2 lag bolts for each stud found).

- 1) Use a stud finder to determine the exact center of wall studs in the vicinity of the wall plate.
- 2) Use a pencil to mark the exact center of each of the wall studs.



PFW 6851

Installation Guide

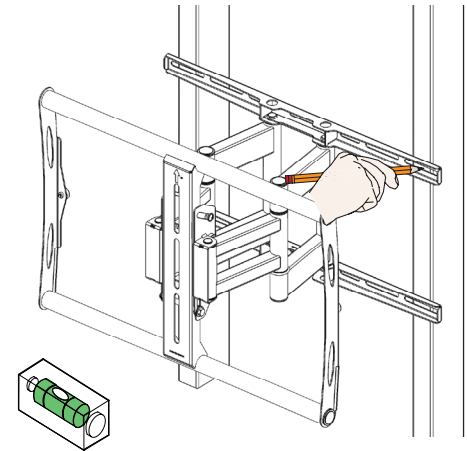
Installationsanleitung, Guía de Instalación, Guida de Installazione, Guide d'Installation, Installatie gids

2



Two people are recommended for this step; one person to level the Mount and another person to mark the wall stud location.

- 1) Place the mount against the wall in the desired viewing location.
- 2) Adjust the mount to align the mount slots in the wall plate with the center of the wall studs.
- 3) Level the mount.
- 4) Use a pencil to mark the upper right mounting location along the center of the wall stud.

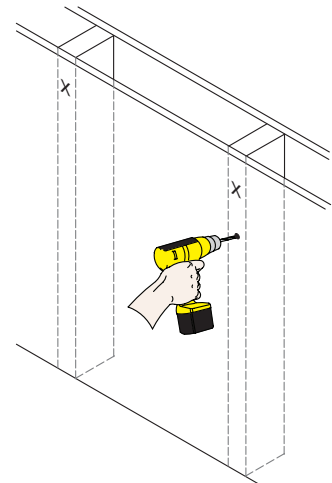


3

Drill a "pilot hole" in the center of the upper right mark using a 1/4" drill bit and power drill.



Only use a 1/4" drill bit when drilling pilot holes.

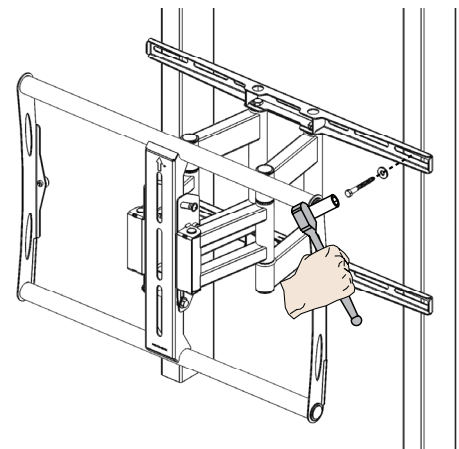


4

- 1) Place the Mount against the wall and align it with the pilot hole.
- 2) Insert one (1) 5/16"x 3" lag bolt and one (1) 5/16" washer into the upper right pilot hole.
- 3) Use a socket wrench and a 1/2" socket to tighten the lag bolt.



Do not over tighten the lag bolt.



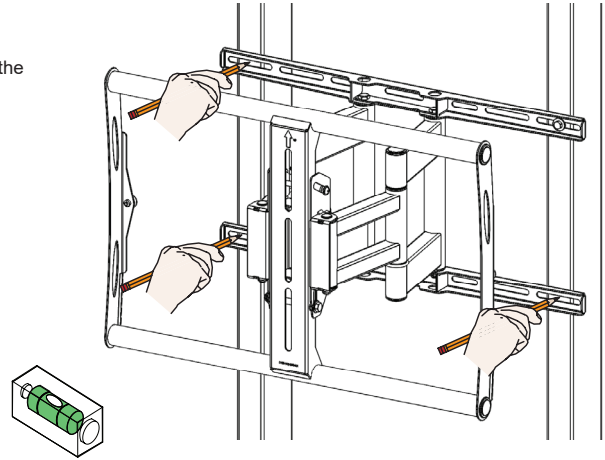
PFW 6851

Installation Guide


Installationsanleitung, Guía de Instalación, Guida de Installazione, Guide d'Installation, Installatie gids

5


- 1) Level the Mount.
- 2) Use a pencil to mark the remaining three (3) mounting locations along the center of each wall stud.

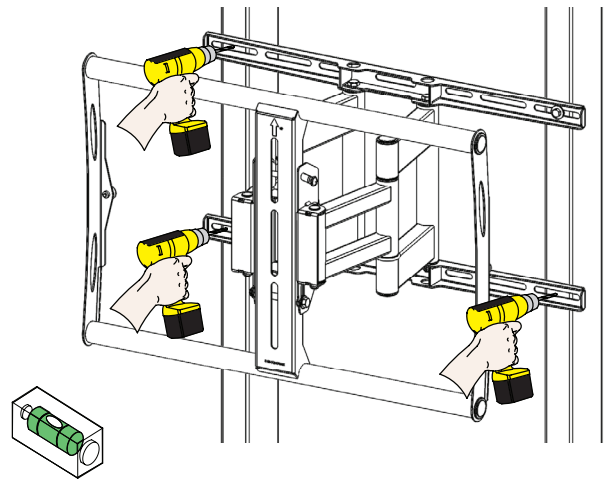


6

-  Two people are recommended for this step; one person to level the Mount and another person to drill the pilot holes.


Drill a "pilot hole" in the center of each of the marks with a power drill and a 1/4" drill bit.

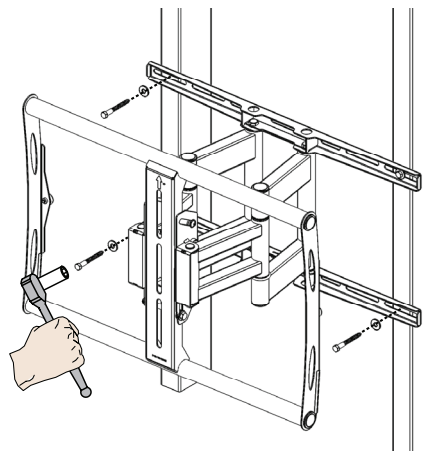
-  Only use 1/4" drill bit when drilling the pilot holes.



7

- 1) Insert one (1) 5/16" x 3" lag bolt and one (1) 5/16" washer into each pilot holes.
- 2) Tighten all lag bolts using a socket wrench and 1/2" socket.

-  Do not over tighten the lag bolts when attaching the mount to the wall. Improper installation may result in personal injury or property damage.



PFW 6851

Installation Guide

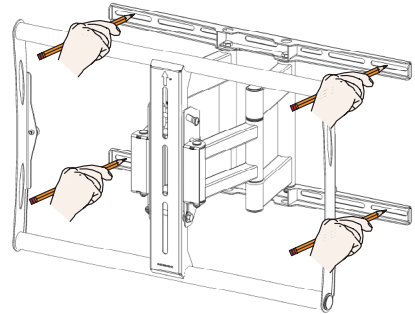
Installationsanleitung, Guía de Instalación, Guida de Installazione, Guide d'Installation, Installatie gids

8

Concrete Installation



Two people are recommended for this step: one person to level the mount and another person to mark the mounting locations.

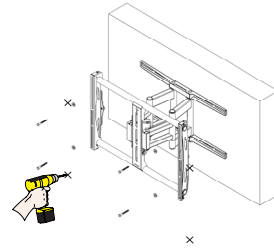


9

Drill four (4) pilot holes of each mark using a drill and 3/8" masonry drill bit. Drill 3 inches deep.

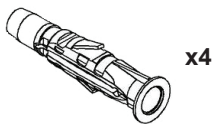


Only use a 3/8" masonry drill bit when drilling pilot holes.

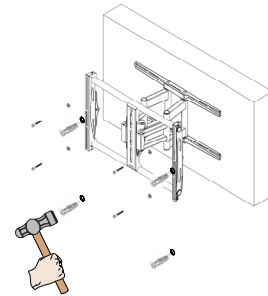


10

Insert a Finned Anchor into each hole. Lightly tap each Finned Anchors into place with a hammer.



Finned Anchor

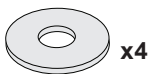


11

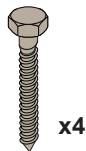
Insert the lag bolts and washers into the Finned anchors. Tighten all lag bolts using a socket wrench and 1/2" socket.



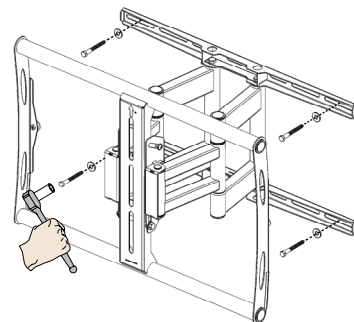
Do not over tighten the lag bolts.



5/16" Flat Washer



5/16" x 3" Lag Bolt

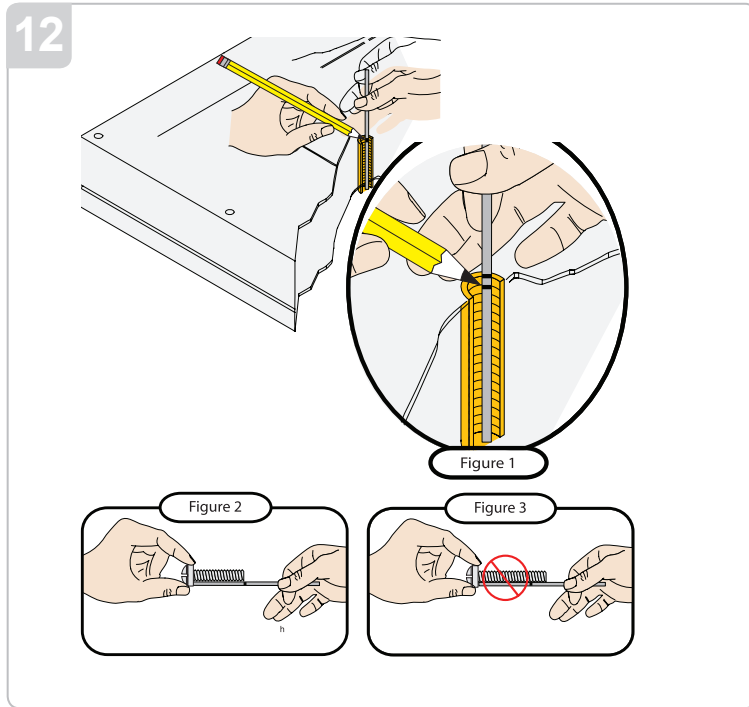


PFW 6851


Installation Guide

Installationsanleitung, Guía de Instalación, Guida de Installazione, Guide d'Installation, Installatie gids


Selecting the Mounting Hardware



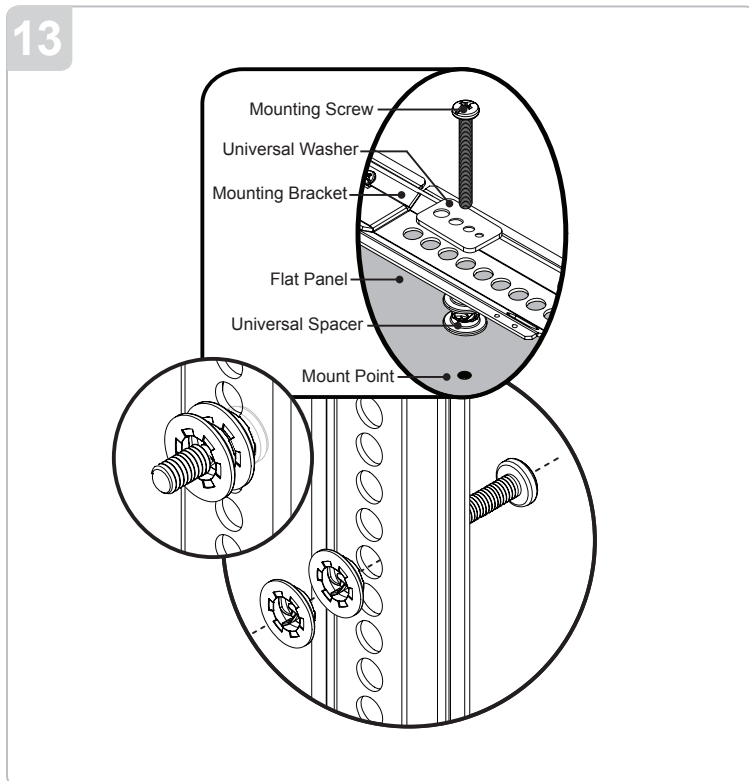
- 1) Insert a small straw or toothpick into the threaded inserts found on the back of the flat panel.
- 2) Use a pencil to mark the depth of the threaded insert on the small straw or toothpick.
- 3) Mark the straw or toothpick 1/8" above the depth of the threaded insert, as shown in Figure 1.
- 4) Insert the small straw or toothpick into the remaining threaded inserts to compare and verify their depth using the straw or toothpick's 1/8" allowance mark.
- 5) Locate the correct diameter screw for the threaded insert.

 If the screw you selected is longer than the 1/8" allowance mark on the small straw or toothpick, as shown in Figure 2 and Figure 3, do not use this screw. The screw length must not bypass the mark.


- 6) Test each size of the screws provided.


 The correct screws should thread easily into the mounting point and not pull out when tension is applied.


Universal Spacer Installation (Optional)

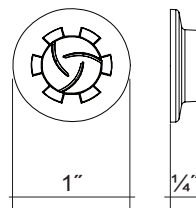


Universal Spacers allow you to attach the mounting bracket to flat-panels which have recessed or uneven mount points. Each Universal Spacer adds 1/4" to the distance between the mounting bracket and your flat-panel.

 The Universal Spacers must be stacked and oriented as shown.

 The Universal Spacers must only be installed between the mounting bracket and your flat-panel.

 If your flat panel has uneven mounting points, or recessed mounting points, please use the provided universal spacers.

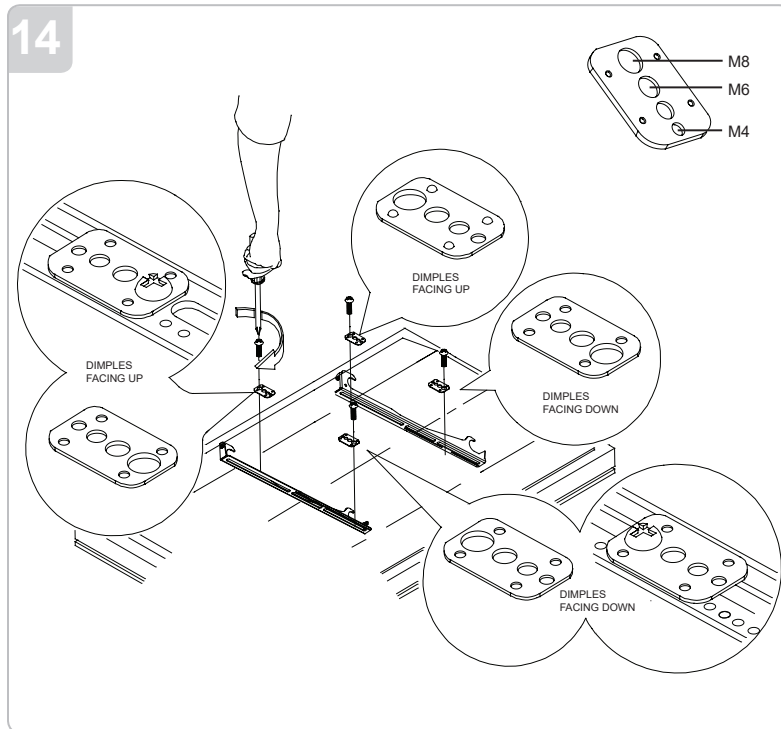


PFW 6851


Installation Guide


Installationsanleitung, Guía de Instalación, Guida de Installazione, Guide d'Installation, Installatie gids

Universal Washer Installation

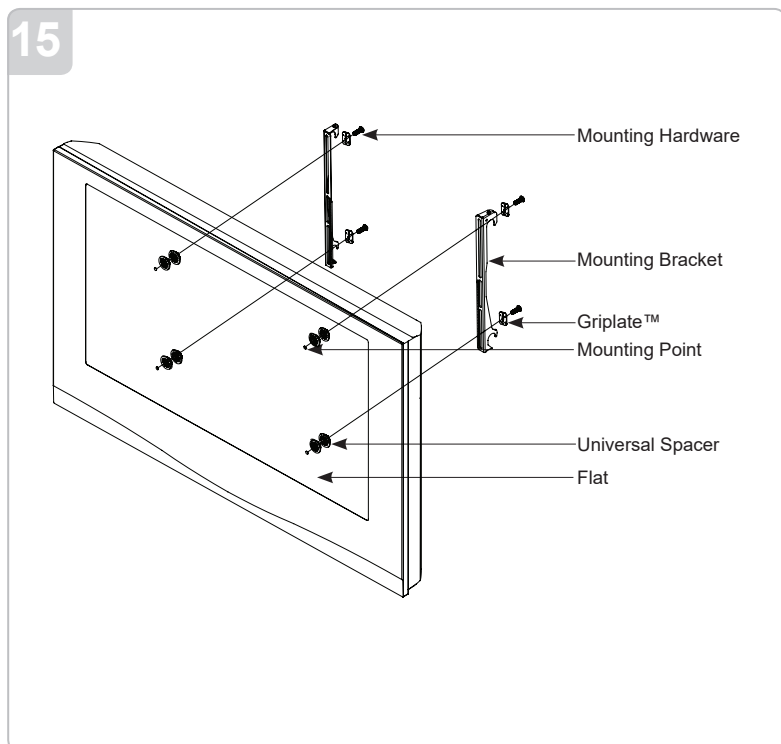


Universal Washers are designed to accommodate the various M4, M6, and M8 hole sizes required by flat panels.


 Do not place excessive pressure on the back of the flat panel, as this may damage your flat panel.

 The Universal Washer must be installed between the head of the mounting screw and the mounting bracket as shown.

Mounting Bracket Installation



- 1) Place your flat panel screen-side down on a soft, flat surface.
- 2) Identify the number and location of the thread inserts on the back of your flat panel.
- 3) Aligning the holes on each mounting bracket with the thread inserts on the back of your flat panel.
- 4) Secure each mounting bracket to your flat panel by inserting a minimum of two (2) screws per bracket.

 Do not over tighten the mounting hardware.

PFW 6851

Installation Guide

Installationsanleitung, Guía de Instalación, Guida de Installazione, Guide d'Installation, Installatie gids

Adapter Plate Installation (Optional)

16



The adapter plate can be used with mounting patterns from 200mm x 200mm x to 650mm x 840mm.



In the event that your flat panel has recessed or uneven mounting surface, universal spacers may be stacked to achieve proper spacing. Select the amount of universal spacer (s) that is closest in depth to keep your adapter plate as close to the flat panel as possible. The universal spacer must be secured between the flat panel and the adapter plates.

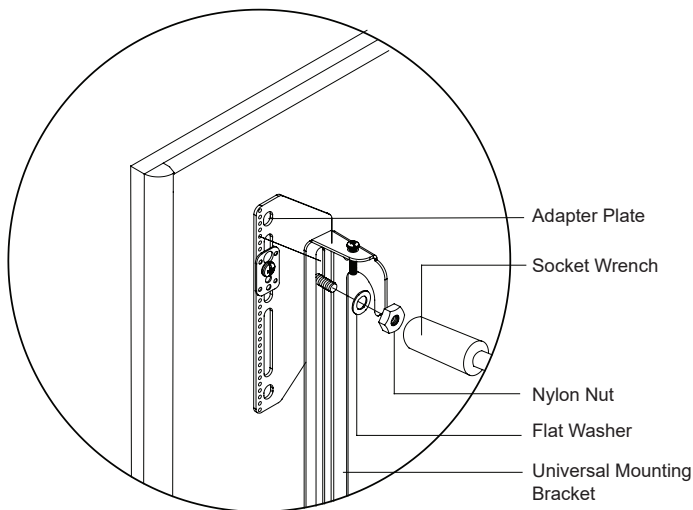
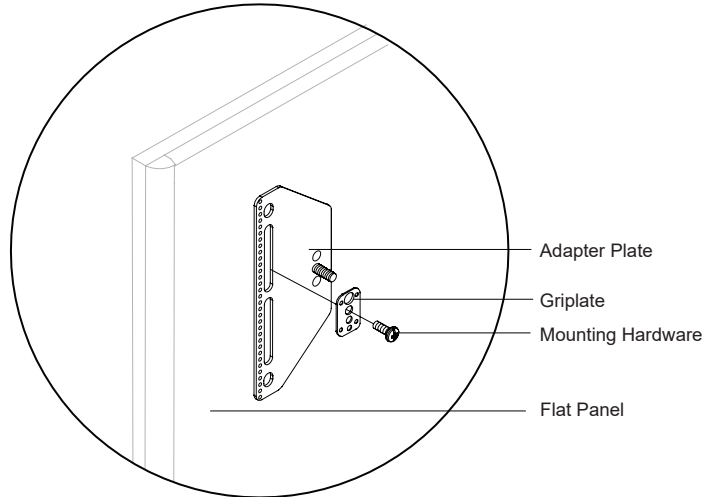


Do NOT over tighten the screws.

Step 1. Determine if your flat panel will need the adapter plates.

Step 2. Locate the mounting points on the back of the flat panel.

Step 3. Using a screwdriver, insert and tighten the mounting hardware and adapter plates to the back of the flat panel. Do not over tighten the screws.



Step 4. Place the universal mounting brackets over the threaded mounting studs that are on the adapter plate.

Step 5. Place one (1) 5 / 16" flat washer onto each threaded mounting stud.

Step 6. Thread one (1) M8 Nylon nut onto each threaded mounting stud.



Before tightening the nylon nut, be sure that both universal mounting bracket are level and aligned with each other. If they are not aligned and level, the flat panel will not sit properly when mounted to the PFW 6851

Step 7. Once the universal mounting brackets are level, use a 1/2" socket and socket wrench to tighten the M8 nylon nuts. Do not over tighten the screws.

PFW 6851

Installation Guide

Installationsanleitung, Guía de Instalación, Guida de Installazione, Guide d'Installation, Installatie gids

Attaching the Flat Panel to the Wall Plate

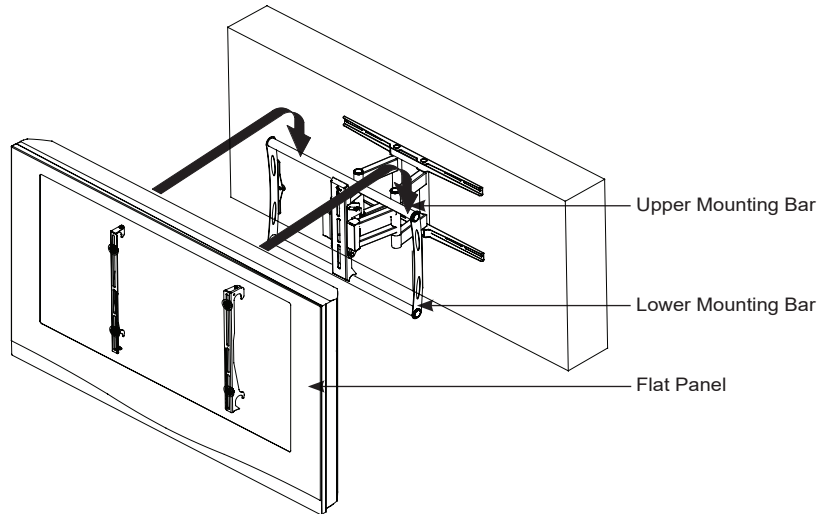
17



Two people are required for this step.



Do not release the flat panel until verifying the connection between the universal brackets and the upper and lower mounting bars.



Step 1. Place the universal brackets and the flat panel over and onto the upper and lower mounting bars of the PFW 6851 and lower it down. Do not release the flat panel until the flat panel is resting securely on the upper and lower mounting bars.

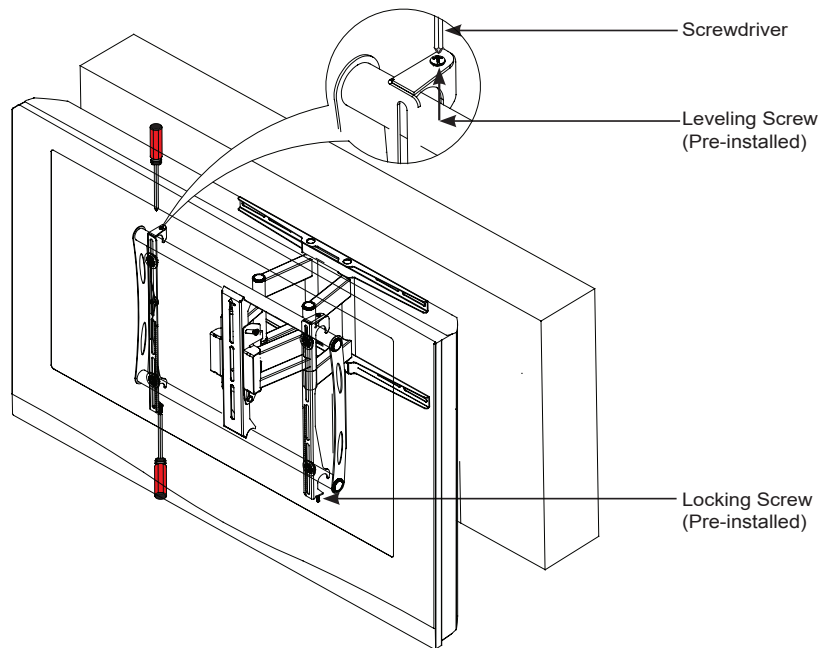
Securing the Leveling the Flat Panel

18



In the event that the flat panel is tilted too far to one side, the leveling screws will allow you to compensate for this tilt by simply adjusting the screws with a screwdriver (see illustration to the right for a clear view).

- Step 1.** Use a screwdriver to adjust the two (2) M6 x 30 leveling screws, located on the top of the mounting brackets.
- Step 2.** Once the flat panel is level, use a screwdriver to tighten the two (2) M6 x 30 locking screws, located on the bottom of the mounting brackets. Do not over tighten these screws.



PFW 6851

Installation Guide

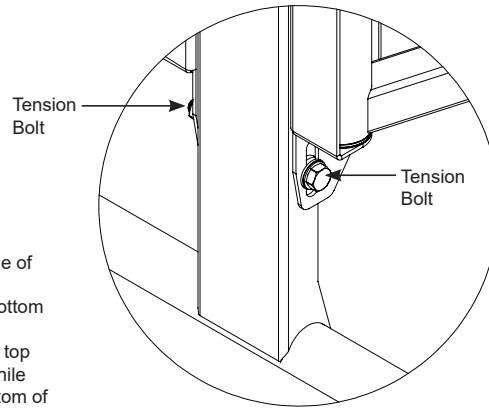
Installationsanleitung, Guía de Instalación, Guida de Installazione, Guide d'Installation, Installatie gids

Adjusting the Flat Panel Tilt

19



TO ADJUST THE TILT TENSION OF THE PFW 6851, LOOSEN THE TENSION BOLTS LOCATED ON THE BOTTOM RIGHT AND LEFT SIDE OF THE MAIN ARM ASSEMBLY. RE-TIGHTEN THESE BOLTS TO ACHIEVE YOUR DESIRED TENSION.



Adjusting the Flat Panel Down

- Step 1.** Place one hand at the center top edge of the flat panel.
- Step 2.** Place the other hand on the center bottom edge of the flat panel.
- Step 3.** Using the upper hand, gently pull the top of the flat panel away from the wall while the lower hand gently pushes the bottom of the flat panel towards the wall.

Adjusting the Flat Panel Down

- Step 1.** Place one hand at the center top edge of the flat panel.
- Step 2.** Place the other hand on the center bottom edge of the flat panel.
- Step 3.** Using the upper hand, gently push the top of the flat panel towards the wall while the lower hand gently pulls the bottom of the flat panel towards the wall.

Plastic Channel Cover Installation

20

- Step 1.** Place the plastic channel covers over the Mounting plate (2 side covers and 1 center cover).
- Step 2.** Gently push each cover into place, covering the mounting slots of the mounting place.



Repeats steps 1 and 2 for the installation for of the lower plastic channel covers.

