

Interface bar

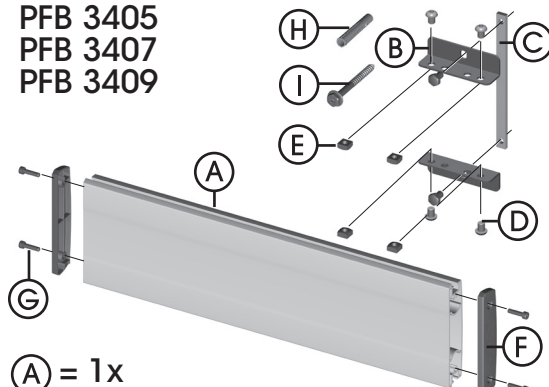
- PFB 3402      PFB 3411
- PFB 3405      PFB 3419
- PFB 3407      PFB 3427
- PFB 3409      PFB 3433

- Mounting instructions
- Montagevoorschrift
- Instructions de montage
- Montageanleitung
- Guía de montaje
- Istruzioni di montaggio
- Instruções de montagem
- Monteringsanvisning
- Instrukcja montażu
- Рекомендации по установке

|      |  |                  |         |          |          |      |           |      |      |           |      |           |      |      |  |
|------|--|------------------|---------|----------|----------|------|-----------|------|------|-----------|------|-----------|------|------|--|
| Max  |  | 160 kg / 352 lbs |         |          |          |      |           |      |      |           |      |           |      |      |  |
|      |  |                  |         |          |          |      |           |      |      |           |      |           |      |      |  |
|      | <table border="0"> <tr> <td>3402</td> <td rowspan="4">} 53 kg</td> <td>3419</td> <td rowspan="4">} 160 kg</td> </tr> <tr> <td>3405</td> <td>3427</td> <td>3433</td> </tr> <tr> <td>3407</td> <td rowspan="2">} 117 lbs</td> <td>3427</td> <td rowspan="2">} 352 lbs</td> </tr> <tr> <td>3409</td> <td>3433</td> </tr> </table> | 3402             | } 53 kg | 3419     | } 160 kg | 3405 | 3427      | 3433 | 3407 | } 117 lbs | 3427 | } 352 lbs | 3409 | 3433 |  |
| 3402 | } 53 kg  | 3419             |         | } 160 kg |          |      |           |      |      |           |      |           |      |      |  |
| 3405 |  | 3427             |         |          |          | 3433 |           |      |      |           |      |           |      |      |  |
| 3407 |  | } 117 lbs        |         |          |          | 3427 | } 352 lbs |      |      |           |      |           |      |      |  |
| 3409 |  |                  | 3433    |          |          |      |           |      |      |           |      |           |      |      |  |

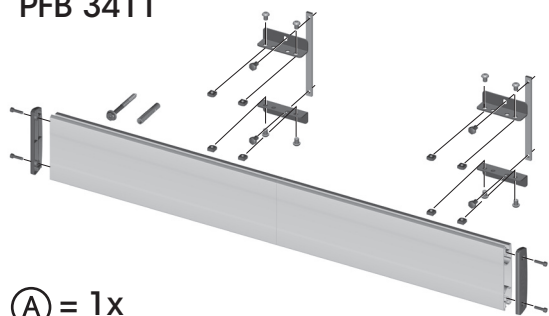


PFB 3402  
PFB 3405  
PFB 3407  
PFB 3409



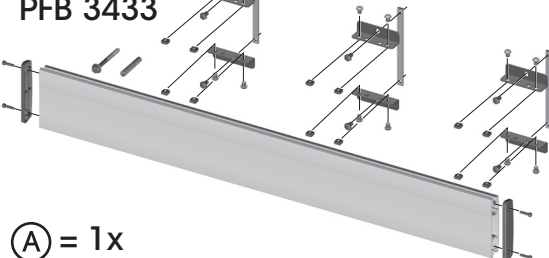
- (A) = 1x
- (B) = 2x    (C) = 1x    (D) = 4x    (E) = 4x
- (F) = 2x    (G) = 4x    (H) = 2x    (I) = 2x

PFB 3411

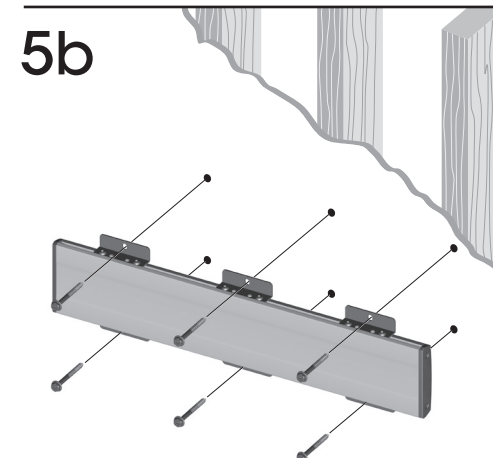
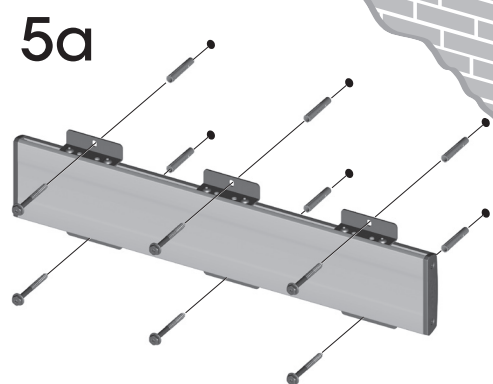
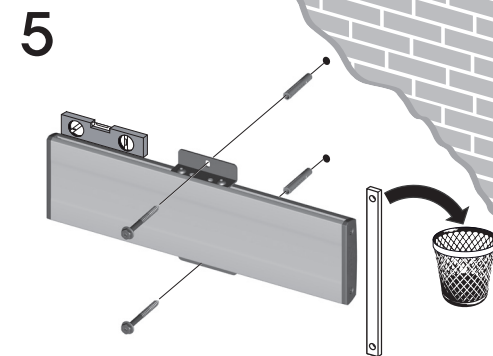
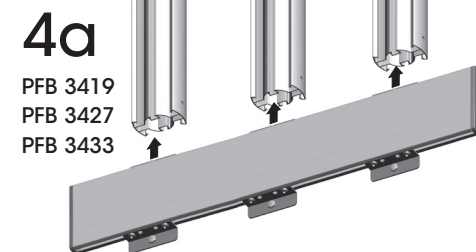
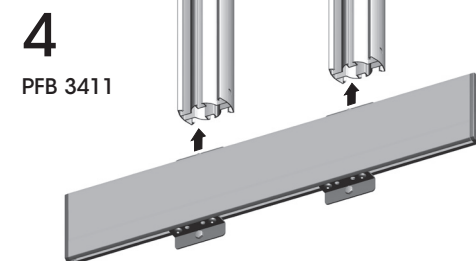
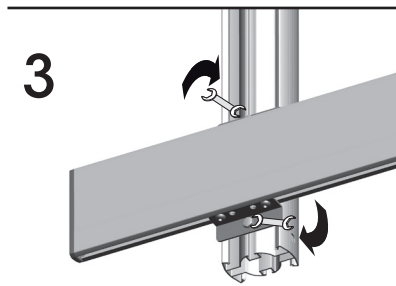
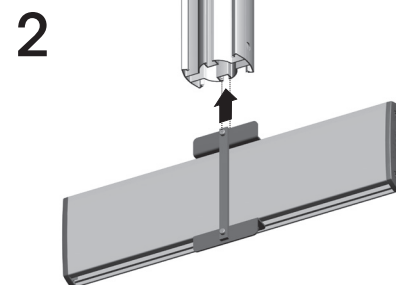
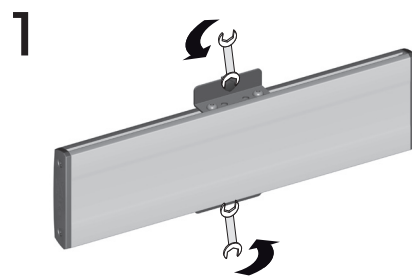


- (A) = 1x
- (B) = 4x    (C) = 2x    (D) = 8x    (E) = 8x
- (F) = 2x    (G) = 4x    (H) = 4x    (I) = 4x

PFB 3419  
PFB 3427  
PFB 3433



- (A) = 1x
- (B) = 6x    (C) = 3x    (D) = 12x    (E) = 12x
- (F) = 2x    (G) = 4x    (H) = 6x    (I) = 6x



- (GB) Subject to printing errors and technical amendments.
- (NL) Drukfouten en technische wijzigingen voorbehouden.
- (F) Sous réserve de fautes d'impression et de modifications techniques.
- (D) Für Druckfehler übernehmen wir keine Verantwortung. Technische Änderungen vorbehalten.
- (E) Reservados errores de imprenta y sujeta a modificaciones.
- (I) Con riserva di modifiche tecniche e di eventuali errori di stampa.
- (P) Reserva-se a ocorrência de gralhas e de modificações técnicas.
- (H) Nyomdahibák és technikai változtatások joga fenntartva.
- (PL) Zastrzeżenie możliwości występowania błędów drukarskich i zmian technicznych.
- (RUS) Возможны ошибки при печати и технические модификации.

Designed and engineered in the Netherlands  
More information on: [www.vogels.com](http://www.vogels.com)

VOGELS PRODUCTS BV, HONDSRUGLAAN 93, 5628 DB EINDHOVEN, THE NETHERLANDS