



Specifications

Multimedia Projector

EB-PU2010B	EB-PU1007B
EB-PU2010W	EB-PU1007W
EB-PU1008B	EB-PU1006W
EB-PU1008W	

Getting the Latest Version of the Documents 3

Projector Specifications 4

Projector Specifications 5

Optional Accessories Specifications 8

- Lens Specifications 8
- Light Output 9
- Lens Compatibility Table 10
- Lens Function Table 11
- Mounts Specifications 12
- External Devices Specifications 12

Projector Parts - Interface 13

Supported Monitor Display Resolutions 15

Installation Specifications 24

Precautions on Installation 25

Screen Size and Projection Distance 28

- Projection Distance Formula 28
- Projection Distance 39

Remote Control Operation 56

Keystone Correction Range 57

- H/V-Keystone 57
- Curved Surface 58
- Corner Wall 64

Curved Surface Correction Range for Camera Assist 71

Lens Shift Adjustment Range 78

Monitoring and Controlling the Projector 80

ESC/VP21 Commands 81

- Power On/Off 81
- Operation 82
- Projection screen adjustment 83
- Source Select/Signal Status settings 89
- Image adjustment 89
- Audio 96
- Additional functions 96
- Configuration 100
- Home Screen 106
- Network 107
- Provide Information 107
- Cable Layouts 108

PJLink Command List 109

Art-Net Channel Specifications 112

Copyright Notice 118

External Dimensions 119

Getting the Latest Version of the Documents

You can get the latest version of the manuals and specifications on the Epson Web site.

Visit epson.sn, and enter your model name.

Projector Specifications

Check these sections for the technical specifications and important notices about your product.

► Related Links

- ["Projector Specifications" p.5](#)
- ["Optional Accessories Specifications" p.8](#)
- ["Projector Parts - Interface" p.13](#)
- ["Supported Monitor Display Resolutions" p.15](#)

Product name	EB-PU2010B/EB-PU2010W/EB-PU1008B/ EB-PU1008W/EB-PU1007B/EB-PU1007W/ EB-PU1006W
Dimensions	545 (W) × 164 (H) × 436 (D) mm (not including raised section)
Projection system	RGB liquid crystal shutter
LCD panel size	EB-PU2010B/EB-PU2010W: 1.0" EB-PU1008B/EB-PU1008W/EB-PU1007B/ EB-PU1007W/EB-PU1006W: 0.76"
Display method	Poly-silicon TFT active matrix
Resolution	2,304,000 pixels WUXGA (1920 (W) × 1200 (H) dots) × 3
Focus adjustment	Powered
Zoom adjustment	1.0 to 1.6 (Optical Zoom)
Projection lens	Optional lens supported. EB-PU2010B/EB-PU2010W: Standard lens: ELPLM15 EB-PU1008B/EB-PU1008W/EB-PU1007B/ EB-PU1007W/EB-PU1006W: Standard lens: ELPLM08

Lens Shift	Powered EB-PU2010B/EB-PU2010W: Maximum vertical direction: Approx. ±60% Maximum horizontal direction: Approx. ±18% EB-PU1008B/EB-PU1008W/EB-PU1007B/ EB-PU1007W/EB-PU1006W: Maximum vertical direction: Approx. ±67% Maximum horizontal direction: Approx. ±30%
Light source	Laser diode
Light source output power	EB-PU2010B/EB-PU2010W/EB-PU1008B/ EB-PU1008W: Up to 176 W EB-PU1007B/EB-PU1007W: Up to 132 W EB-PU1006W: Up to 115.5 W
Wavelength	449 to 461 nm
Light source operation time *	Light Source Mode: Normal, Quiet: Up to about 20,000 hours Light Source Mode: Extended: Up to about 30,000 hours

Brightness**	<p>EB-PU2010B/EB-PU2010W: Light Source Mode: Normal: 10,000 lm Light Source Mode: Medium: 8,500 lm Light Source Mode: Quiet, Extended : 7,000 lm</p> <p>EB-PU1008B/EB-PU1008W: Light Source Mode: Normal: 8,500 lm Light Source Mode: Medium: 7,225 lm Light Source Mode: Quiet, Extended: 5,950 lm</p> <p>EB-PU1007B/EB-PU1007W: Light Source Mode: Normal: 7,000 lm Light Source Mode: Medium: 5,950 lm Light Source Mode: Quiet, Extended: 4,900 lm</p> <p>EB-PU1006W: Light Source Mode: Normal: 6,000 lm Light Source Mode: Medium: 5,100 lm Light Source Mode: Quiet, Extended: 4,200 lm</p>
Contrast ratio	2,500,000:1 exceeded (Dynamic Contrast Normal/High Speed)
Color reproducibility	Up to 1,070 million colors (Depends on the interface)
Scanning frequency	<p>Analog: Horizontal: 31.25 to 92 kHz Vertical: 50 to 85 Hz</p> <p>HDMI/HDBaseT/DVI-D: Horizontal: 15 to 135 kHz Vertical: 23.98/24/25/29.97/30/50/59.94/60 Hz</p> <p>SDI (EB-PU2010B/EB-PU2010W): Horizontal: 15 to 67.5 kHz Vertical: 23.98/24/25/29.97/30/50/59.94/60 Hz</p>

Power supply	<p>EB-PU2010B/EB-PU2010W/EB-PU1008B/EB-PU1008W/EB-PU1007B/EB-PU1007W: 100-240V AC±10% 50/60Hz 5.6 - 2.5 A</p> <p>EB-PU1006W: 100-240V AC±10% 50/60Hz 3.9 - 1.7 A</p>
Operating power consumption (100 to 120 V area)	<p>EB-PU2010B/EB-PU2010W/EB-PU1008B/EB-PU1008W: Light Source Mode: Normal, Custom: 559 W Light Source Mode: Quiet, Extended: 469 W</p> <p>EB-PU1007B/EB-PU1007W: Light Source Mode: Normal, Custom: 448 W Light Source Mode: Quiet, Extended: 379 W</p> <p>EB-PU1006W: Light Source Mode: Normal, Custom: 384 W Light Source Mode: Quiet, Extended: 321 W</p>
Operating power consumption (220 to 240 V area)	<p>EB-PU2010B/EB-PU2010W/EB-PU1008B/EB-PU1008W: Light Source Mode: Normal, Custom: 535 W Light Source Mode: Quiet, Extended: 452 W</p> <p>EB-PU1007B/EB-PU1007W: Light Source Mode: Normal, Custom: 431 W Light Source Mode: Quiet, Extended: 366 W</p> <p>EB-PU1006W: Light Source Mode: Normal, Custom: 367 W Light Source Mode: Quiet, Extended: 310 W</p>
Standby power consumption	<p>Communication On: 2.0 W Communication Off: 0.5 W</p>

Thermal output (max.)	EB-PU2010B/EB-PU2010W/EB-PU1008B/EB-PU1008W: 100 to 120 V area: 1900.6 BTU/h 220 to 240 V area: 1819.0 BTU/h EB-PU1007B/EB-PU1007W: 100 to 120 V area: 1523.2 BTU/h 220 to 240 V area: 1465.4 BTU/h EB-PU1006W: 100 to 120 V area: 1305.6 BTU/h 220 to 240 V area: 1247.8 BTU/h
Air flow (max.)	176.1 CFM
Operating altitude	Altitude 0 to 3,048 m
Operating temperature (when using a single projector installation) ***	EB-PU2010B/EB-PU2010W: Altitude of 0 to 2,286 m: 0 to +50°C (Humidity of 20 to 80%, No condensation) Altitude of 2,287 to 3,048 m: 0 to +45°C (Humidity of 20 to 80%, No condensation) EB-PU1008B/EB-PU1008W/EB-PU1007B/EB-PU1007W/EB-PU1006W: Altitude of 0 to 2,286 m: 0 to +45°C (Humidity of 20 to 80%, No condensation) Altitude of 2,287 to 3,048 m: 0 to +40°C (Humidity of 20 to 80%, No condensation)
Storage temperature	-10 to +60°C (Humidity of 10 to 90%, No condensation)
Mass	EB-PU2010B/EB-PU2010W: Approx. 16.8 kg EB-PU1008B/EB-PU1008W/EB-PU1007B/EB-PU1007W: Approx. 16.3 kg EB-PU1006W: Approx. 15.4 kg

Network	RJ45 (100BASE-TX/10BASE-T) x 1, USB connector (A type) x 1 (wireless LAN unit Corresponding to IEEE802.11a(5GHz)/b(2.4GHz)/g(2.4GHz)/n(2.4GHz、5GHz))
---------	--

* Approximate time until the light source brightness decreases to half of its original value. (Assuming the projector is being used in an environment containing airborne particles of 0.04 mg/m³ or less. This is an approximate guide only and may change depending on the projector's usage and surroundings.)

**The specifications are when the standard lens is attached.

*** Light source brightness automatically dims if the surrounding temperature gets too high. (Approximately 35°C at an altitude of 0 to 2,286 m, and approximately 30°C at an altitude of 2,287 to 3,048 m; however, this may vary depending on the surrounding environment.)

This product is also designed for IT power distribution system with phase-to-phase voltage 230V.

The following sections explain the specifications of the optional accessories.

► Related Links

- "Lens Specifications" [p.8](#)
- "Light Output" [p.9](#)
- "Lens Compatibility Table" [p.10](#)
- "Lens Function Table" [p.11](#)
- "Mounts Specifications" [p.12](#)
- "External Devices Specifications" [p.12](#)

Lens Specifications

Lens Model Number	Projector Size when Lens Installed D (mm)	Amount of Lens Protrusion (mm)	Lens Diameter (mm)	Lens Mass (g)	F Value	f (mm)	Zoom Rate
ELPLX01 ELPLX01S ELPLX01W ELPLX01WS	500	64	164 × 143	3500	1.9	5.8	-
ELPLX02 ELPLX02S ELPLX02W ELPLX02WS	534	99	204 × 170	5000	1.9	8.0	-
ELPLU02 *	552	116	φ150	3000	2.0 - 2.1	14.8 - 17.7	1.2

Lens Model Number	Projector Size when Lens Installed D (mm)	Amount of Lens Protrusion (mm)	Lens Diameter (mm)	Lens Mass (g)	F Value	f (mm)	Zoom Rate
ELPLU04	552	116	φ150	3100	2.0 - 2.1	14.8 - 17.7	1.2
ELPLU03	525	89	φ150	1800	2.0 - 2.3	11.1 - 13.1	1.2
ELPLU03S	525	89	φ150	2300	2.0 - 2.3	11.1 - 13.1	1.2
ELPLW04 *	525	89	φ130	2860	1.8 - 2.3	27.3 - 37.0	1.4
ELPLW05	492	56	φ135	1450	2.0 - 2.2	17.6 - 24.3	1.4
ELPLW06	525	89	φ130	2950	1.8 - 2.3	27.3 - 37.0	1.4
ELPLW08	553	117	φ140	3050	2.0 - 2.2	19.7 - 27.5	1.4
ELPLM06 *	531	95	φ104	2600	1.8 - 2.4	55.4 - 83.3	1.5
ELPLM07 *	535	99	φ104	2200	1.8 - 2.3	80.6 - 121.1	1.5
ELPLM08	484	48	φ112	1200	1.7 - 2.3	24.0 - 38.2	1.6
ELPLM09 ELPLM15	489	53	φ105	1900	1.8 - 2.3	36.0 - 57.4	1.6

Lens Model Number	Projector Size when Lens Installed D (mm)	Amount of Lens Protrusion (mm)	Lens Diameter (mm)	Lens Mass (g)	F Value	f (mm)	Zoom Rate
ELPLM10	531	95	φ104	2200	1.8 - 2.4	55.4 - 83.3	1.5
ELPLM11	535	99	φ104	2200	1.8 - 2.4	80.6 - 121.1	1.5
ELPLS04 *	489	53	φ112	1820	1.7 - 2.5	36.0 - 57.4	1.6
ELPLL07 * ELPLL08	535	99	φ104	2200	1.8 - 2.5	119.0 - 165.4	1.4
ELPLR04 *	490	54	φ115	1950	1.9	16.2	-

* Set the model number for the lens being used in **Extended - Operation - Lens Type** from the projector menu.

Light Output

Unit: lm

Lens Model Number	EB-PU2010B/EB-PU2010W	EB-PU1008B/EB-PU1008W	EB-PU1007B/EB-PU1007W	EB-PU1006W
ELPLX01 ELPLX01S ELPLX01W ELPLX01WS	-	7300	6000	5100

Lens Model Number	EB-PU2010B/EB-PU2010W	EB-PU1008B/EB-PU1008W	EB-PU1007B/EB-PU1007W	EB-PU1006W
ELPLX02 ELPLX02S ELPLX02W ELPLX02WS	8400	-	-	-
ELPLU02 ELPLU04	9500	7700	6300	5400
ELPLU03 ELPLU03S	8700	7300	6000	5100
ELPLW04 ELPLW06	9600	8100	6600	5700
ELPLW05	8900	7400	6100	5200
ELPLW08	9500	7200	6000	5100
ELPLM06 ELPLM10	9900	8300	6800	5800
ELPLM07 ELPLM11	9500	8000	6600	5600
ELPLM08	10000	8500	7000	6000
ELPLM09 ELPLM15 ELPLS04	10000	8400	6900	5900
ELPLL07 ELPLL08	9500	8000	6600	5600
ELPLR04	9100	7700	6400	5400

Lens Compatibility Table

Lens Model Number	Projector Model Number *					
	EB-PU2010B EB-PU2010W	EB-PU1008B EB-PU1008W EB-PU1007B EB-PU1007W EB-PU1006W	EB-L***	EB-G7***	EB-Z***	EB-G6***
ELPLX01 ELPLX01S ELPLX01W ELPLX01WS	-	✓	✓	✓	-	-
ELPLX02 ELPLX02S ELPLX02W ELPLX02WS	✓	-	-	-	-	-
ELPLU01	-	-	-	-	-	✓
ELPLU02	✓	✓	✓	✓	✓	-
ELPLU03 ELPLU03S	✓	✓	✓	✓	-	-
ELPLU04	✓	✓	✓	✓	-	-
ELPLW04	✓	✓	✓	✓	✓	-
ELPLW05	✓	✓	✓	✓	-	-
ELPLW06	✓	✓	✓	✓	-	-
ELPLW08	✓	✓	✓	✓	-	-

Lens Model Number	Projector Model Number *					
	EB-PU2010B EB-PU2010W	EB-PU1008B EB-PU1008W EB-PU1007B EB-PU1007W EB-PU1006W	EB-L***	EB-G7***	EB-Z***	EB-G6***
ELPLM04	-	-	-	-	-	✓
ELPLM05	-	-	-	-	-	✓
ELPLM06	✓	✓	✓	✓	✓	-
ELPLM07	✓	✓	✓	✓	✓	-
ELPLM08	✓	✓	✓	✓	-	-
ELPLM09	✓	✓	✓	✓	-	-
ELPLM10	✓	✓	✓	✓	-	-
ELPLM11	✓	✓	✓	✓	-	-
ELPLM15	✓	✓	✓	✓	-	-
ELPLS04	✓	✓	✓	✓	✓	-
ELPLL06	-	-	-	-	-	✓
ELPLL07	✓	✓	✓	✓	✓	-
ELPLL08	✓	✓	✓	✓	-	-
ELPLR03	-	-	-	-	-	✓
ELPLR04	✓	✓	✓	✓	✓	-
ELPLS06	-	-	-	-	-	✓
ELPLS07	-	-	-	-	-	✓

*EB-L***: EB-L1075U/EB-L1070U/EB-L1065U/EB-L1060U/EB-L1050U/EB-L1070W/EB-L1060W/EB-L1070

*EB-G7***: EB-G7905U/EB-G7900U/EB-G7500U/EB-G7400U/EB-G7200W/EB-G7000W/EB-G7805/EB-G7800/EB-G7100

*EB-Z***: EB-Z10005U/EB-Z10000U/EB-Z9875U/EB-Z9870U/EB-Z9750U/EB-Z11000W/EB-Z9900W/EB-Z9800W/EB-Z11005/EB-Z11000/EB-Z9870

*EB-G6***: EB-G6770WU/EB-G6570WU/EB-G6270W/EB-G6070W/EB-G6370

Lens Function Table

Lens Model Number	Function							
	Zoom	Focus	Distortion	Lens Shift	Lens Memory	Lens Type Recognition	Camera Assist	Remote Camera Access
ELPLX01 ELPLX01W	-	✓	✓	✓	✓	✓	-	-
ELPLX01S ELPLX01WS	-	✓	✓	✓	✓	✓	✓	✓
ELPLX02 ELPLX02W	-	✓	✓	✓	✓	✓	-	-
ELPLX02S ELPLX02WS	-	✓	✓	✓	✓	✓	✓	✓
ELPLU02	✓	✓	✓(Manual)	✓	-	-	-	-

Lens Model Number	Function							
	Zoom	Focus	Distortion	Lens Shift	Lens Memory	Lens Type Recognition	Camera Assist	Remote Camera Access
ELPLU03 ELPLU03S	✓	✓	✓	✓	✓	✓	✓	✓
ELPLU04	✓	✓	✓	✓	✓	✓	✓	✓
ELPLW04	✓	✓	-	✓	-	-	-	-
ELPLW05	✓	✓	✓	✓	✓	✓	✓	✓
ELPLW06	✓	✓	-	✓	✓	✓	✓	✓
ELPLW08	✓	✓	✓	✓	✓	✓	✓	✓
ELPLM06	✓	✓	-	✓	-	-	-	-
ELPLM07	✓	✓	-	✓	-	-	-	-
ELPLM08	✓	✓	-	✓	✓	✓	✓	✓
ELPLM09	✓	✓	-	✓	✓	✓	✓	✓
ELPLM10	✓	✓	-	✓	✓	✓	✓	✓
ELPLM11	✓	✓	-	✓	✓	✓	✓ (EB-PU2010B/EB-PU2010W)	✓ (EB-PU2010B/EB-PU2010W)
ELPLM15	✓	✓	-	✓	✓	✓	✓	✓
ELPLS04	✓	✓	-	✓	-	-	-	-
ELPLL07	✓	✓	-	✓	-	-	-	-

Lens Model Number	Function							
	Zoom	Focus	Distortion	Lens Shift	Lens Memory	Lens Type Recognition	Camera Assist	Remote Camera Access
ELPLL08	✓	✓	-	✓	✓	✓	-	-
ELPLR04	-	✓	-	-	-	-	-	-

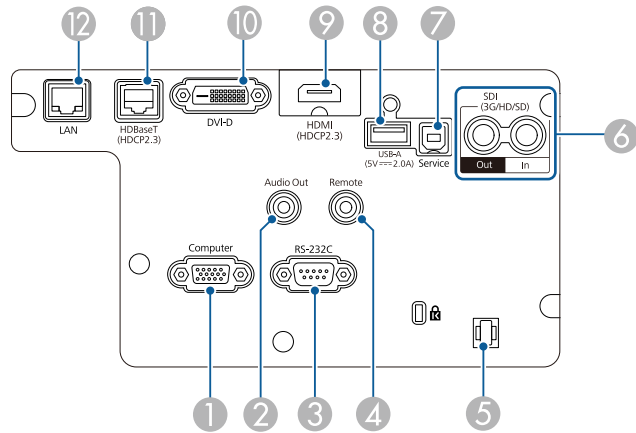
Product name	Dimensions	Weight	Maximum load capacity	Adjustment range
High Ceiling Mount ELPMB48	400 (W) × 428 (H) × 330 (D) mm	Approx. 16 kg	Approx. 75 kg	Vertical tilt: 5 to -25° Horizontal tilt: 0 to ±5° Horizontal rotation: 0 to ±5° Front/rear slide: ±30 mm
Suspension Adapter ELPFP15	Φ270 × 352	Approx. 4.4 kg	-	460~680 mm

Mounts Specifications

Product name	Dimensions	Weight	Maximum load capacity	Adjustment range
Ceiling Mount ELPMB67	356 (W) × 124 (H) × 330 (D) mm	Approx. 5.7 kg	Approx. 40 kg	Vertical tilt: 5 to -15° Horizontal tilt: 0 to ±5° Horizontal rotation: 0 to ±5° Front/rear slide: ±36 mm
Low ceiling mount ELPMB47	400 (W) × 124 (H) × 330 (D) mm	Approx. 11 kg	Approx. 75 kg	Vertical tilt: 0 to ±5° Horizontal tilt: 0 to ±5° Horizontal rotation: 0 to ±5° Front/rear slide: ±30 mm

External Devices Specifications

Product name	Dimensions	Weight
External Air filter ELPAF63	608.5 (W) × 175.5 (H) × 158.0 (D) mm	Approx. 2.0 kg
External Camera ELPEC01	103 (W) × 49 (H) × 47 (D) mm	Approx. 0.15 kg



Attention

- Check the shape and orientation of the connectors on any cable you plan to connect. Do not force a connector into a port if it does not fit. The device or your projector could be damaged or could malfunction.
- Do not turn on the input source before connecting it to the projector. Doing so could damage the projector.
- If necessary, use an adapter that allows you to connect to an input port on the projector.

Name	Function
2 Audio Out port (Stereo mini pin jack)	<p>Outputs audio from the current input source to an external speaker. You can also connect the projector to an amplifier with speakers.</p> <p>To output audio from the speaker connected to this port, select Projector as the Audio Out Device setting in the projector's Settings menu. When an audio/video system is not connected to the projector, audio is output from the speaker connected to this port even if Audio Out Device is set to AV System.</p> <p>☛ Settings > HDMI Link > Audio Out Device</p> <p>If you want to output audio for the HDMI source from the external speakers when the projector is turned off, select Always On as the A/V Output setting in the projector's Extended menu.</p> <p>☛ Extended > A/V Settings > A/V Output</p>
3 RS-232C port (Mini D-Sub 9-pin, male)	Use to connect an RS-232C cable to control the projector from a computer.
4 Remote port (Stereo mini pin jack)	Connects the remote control to the projector using the optional remote control cable set and inputs signals from the remote control. When the remote control is connected, the remote receiver on the projector is disabled.
5 Cable holder	<p>Pass a commercially available cable tie through here to secure cables.</p> <div style="border: 1px solid black; padding: 5px; margin-top: 10px;"> <p>⚠ Warning</p> <p>Do not bundle the power cord to the other cables. Otherwise, a fire may occur.</p> </div>

Name	Function
1 Computer port (Mini D-Sub15-pin, female)	Inputs image signals from a computer.

Name	Function
6 SDI Out/In ports (BNC)	<p>(EB-PU2010B/EB-PU2010W only)</p> <p>Inputs video signals from SDI compatible video equipment.</p> <p>Outputs video signals input from the SDI In port to an external monitor.</p> <p>You can connect two projectors in a chain using a SDI cable.</p> <p>If you want to output images to an external monitor when the projector is turned off, select Always On as the A/V Output setting in the projector's Extended menu.</p> <p>☛ Extended > A/V Settings > A/V Output</p>
7 Service port (USB connector Type B)	This port is used for batch settings and firmware update.
8 USB-A port (USB connector Type A)	<p>Use to connect a USB memory device for projecting movies or images in Content Playback mode.</p> <p>Use to connect the optional camera.</p> <p>Provides a connection for a streaming media player to power it.</p> <div style="border: 1px solid black; padding: 5px; margin-top: 10px;"> <p>Attention</p> <ul style="list-style-type: none"> • Use the USB cable supplied with or specified for use with the device. • Do not connect a USB hub or a USB cable longer than 3 meters, or the device may not operate correctly. </div>
9 HDMI port (HDMI)	<p>Inputs video signals from HDMI compatible video equipment and computers.</p> <p>Connects the optional base unit.</p> <p>This port is compatible with HDCP2.3. (Audio is only supported by PCM)</p>

Name	Function
10 DVI-D port (DVI-D 24-pin single)	<p>Inputs the computer DVI-D signals.</p> <p>This port is compatible with HDCP1.4.</p>
11 HDBaseT port (RJ-45)	<p>Use to connect a LAN cable to the optional HDBaseT Transmitter. You can use a network cable up to 100 m in length. To ensure proper data transmission, use a Category 5e STP cable or better. However, operation is not guaranteed for all input/output devices and environments.</p> <p>This port is compatible with HDCP2.3.</p> <p>Check the following settings:</p> <ul style="list-style-type: none"> • To enable communication from the Ethernet and serial ports on the transmitter, select On as the Control Communications setting in the projector's Extended menu. <p>☛ Extended > HDBaseT > Control Communications</p> <ul style="list-style-type: none"> • If you have connected an Extron XTP transmitter or switcher, select On as the Extron XTP setting in the projector's Extended menu. <p>☛ Extended > HDBaseT > Extron XTP</p>
12 LAN port (RJ-45)	<p>Use to connect a LAN cable to connect to a network.</p> <p>Use a 100Base-TX or 10Base-T network cable.</p> <p>To ensure proper data transmission, use a Category 5 shielded cable or better.</p>

The table here lists the compatible refresh rate and resolution for each compatible video display format.

PC

Compatible Mode

Mode	Computer		HDMI/HDBaseT/DVI-D			
	YCbCr	RGBH V	YCbCr			RGB
			4:2:0	4:2:2	4:4:4	
			8	8	8	8
VGA60		✓				✓
VGA72		✓				
VGA75		✓				
VGA85		✓				
SVGA60		✓				✓
SVGA72		✓				
SVGA75		✓				
SVGA85		✓				
XGA60		✓				✓
XGA70		✓				
XGA75		✓				
XGA85		✓				
WXGA60-1		✓				
WXGA60		✓				✓
WXGA75		✓				

Mode	Computer		HDMI/HDBaseT/DVI-D			
	YCbCr	RGBH V	YCbCr			RGB
			4:2:0	4:2:2	4:4:4	
			8	8	8	8
WXGA85		✓				
WXGA60-3		✓				✓
WXGA+60		✓				✓
WXGA+75		✓				
WXGA+85		✓				
WXGA++		✓				✓
SXGA1_70		✓				
SXGA1_75		✓				
SXGA1_85		✓				
SXGA2_60		✓				✓
SXGA2_75		✓				
SXGA2_85		✓				
SXGA3_60		✓				✓
SXGA3_75		✓				
SXGA3_85		✓				
SXGA+60		✓				✓
SXGA+75		✓				
WSXGA+60		✓*				✓
UXGA60		✓				✓
1920×1080_50		✓				✓

Mode	Computer		HDMI/HDBaseT/DVI-D			
	YCbCr	RGBHV	YCbCr			RGB
			4:2:0	4:2:2	4:4:4	
			8	8	8	
1920×1080_60		✓				✓
WUXGA60 (Reduced Blanking)		✓				✓
QXGA						✓
WQHD						✓
WQXGA (Reduced Blanking)						✓

* Only compatible when **Wide** is selected as the **Resolution** setting in the projector's **Image** menu.

Mode Information

Mode	Resolution (dot)		H Sync (KHz)	Refresh Rate (Hz)	Dotclk (MHz)	Scan Type
VGA60	640	480	31.47	60	25.175	Progressive
VGA72	640	480	37.86	72	31.500	Progressive
VGA75	640	480	37.50	75	31.500	Progressive
VGA85	640	480	43.27	85	36.000	Progressive
SVGA60	800	600	37.88	60	40.000	Progressive
SVGA72	800	600	48.08	72	50.000	Progressive
SVGA75	800	600	46.88	75	49.500	Progressive
SVGA85	800	600	53.67	85	56.250	Progressive
XGA60	1024	768	48.36	60	65.000	Progressive

Mode	Resolution (dot)		H Sync (KHz)	Refresh Rate (Hz)	Dotclk (MHz)	Scan Type
XGA70	1024	768	56.48	70	75.000	Progressive
XGA75	1024	768	60.02	75	78.750	Progressive
XGA85	1024	768	68.68	85	94.500	Progressive
WXGA60-1	1280	768	47.78	60	79.500	Progressive
WXGA60	1280	800	49.70	60	83.500	Progressive
WXGA75	1280	800	62.80	75	106.500	Progressive
WXGA85	1280	800	71.55	85	122.500	Progressive
WXGA60-3	1366	768	47.71	60	85.500	Progressive
WXGA+60	1440	900	55.94	60	106.500	Progressive
WXGA+75	1440	900	70.64	75	136.750	Progressive
WXGA+85	1440	900	80.43	85	157.000	Progressive
WXGA++	1600	900	60.00	60	108.000	Progressive
SXGA1_70	1152	864	63.85	70	94.500	Progressive
SXGA1_75	1152	864	67.50	75	108.000	Progressive
SXGA1_85	1152	864	77.09	85	121.500	Progressive
SXGA2_60	1280	960	60.00	60	108.000	Progressive
SXGA2_75	1280	960	75.00	75	126.000	Progressive
SXGA2_85	1280	960	85.94	85	148.500	Progressive
SXGA3_60	1280	1024	63.98	60	108.000	Progressive
SXGA3_75	1280	1024	79.98	75	135.000	Progressive
SXGA3_85	1280	1024	91.15	85	157.500	Progressive
SXGA+60	1400	1050	65.32	60	121.750	Progressive

Mode	Resolution (dot)		H Sync (KHz)	Refresh Rate (Hz)	Dotclk (MHz)	Scan Type
SXGA+75	1400	1050	82.28	75	156.000	Progressive
WSXGA+60	1680	1050	65.29	60	146.250	Progressive
UXGA60	1600	1200	75.00	60	162.000	Progressive
1920×1080_50	1920	1080	56.25	50	148.500	Progressive
1920×1080_60	1920	1080	67.50	60	148.500	Progressive
WUXGA60 (Reduced Blanking)	1920	1200	74.04	60	154.000	Progressive
QXGA	2048	1536	95.45	60	267.250	Progressive
WQHD	2560	1440	88.79	60	241.500	Progressive
WQXGA (Reduced Blanking)	2560	1600	98.71	60	268.500	Progressive

Unique Aspect

Compatible Mode

Mode	HDMI/HDBaseT											
	YCbCr									RGB		
	4:4:4			4:2:2			4:2:0					
	8	10	12	8	10	12	8	10	12	8	10	12
Unique aspect (21:9)										✓		

Mode Information

Mode	Resolution (dot)		H Sync (KHz)	Refresh Rate (Hz)	Dotclk (MHz)	Scan Type
Unique aspect (21:9)	3440	1440	45.33	30	165.090	Progressive

If the image is not projected correctly, set the timing settings on your computer to match the values in the following tables. (You may not be able to change these settings, depending on your computer.)

Mode	Dotclk (MHz)	H Freq (KHz)	V Freq (Hz)	H active (dot)	H Front Porch (dot)	H Sync Width (dot)	H Back Porch (dot)
Unique aspect (21:9)	165.090	45.33	30	3440	69	32	101

Mode	V active (Line)	V Front Porch (Line)	V Sync Width (Line)	V Back Porch (Line)	H Sync Polarity	V Sync Polarity	Scan Type
Unique aspect (21:9)	1440	32	8	31	Positive	Negative	Progressive

SD

Compatible Mode

Mode	Computer		HDMI/HDBaseT									DVI-D
	YCbCr	RGB HV	YCbCr						RGB			RGB
			4:2:2			4:4:4						
			8	10	12	8	10	12	8	10	12	8
SDTV (480i)			✓	✓	✓	✓	✓	✓	✓	✓	✓	✓

Mode	Computer		HDMI/HDBaseT									DVI-D
	YCbCr	RGB HV	YCbCr						RGB			RGB
			4:2:2			4:4:4			RGB			RGB
			8	10	12	8	10	12	8	10	12	8
SDTV (576i)			✓	✓	✓	✓	✓	✓	✓	✓	✓	✓
SDTV (480p)		✓	✓	✓	✓	✓	✓	✓	✓	✓	✓	✓
SDTV (576p)		✓	✓	✓	✓	✓	✓	✓	✓	✓	✓	✓

Mode Information

Mode	Resolution (dot)		H Sync (KHz)	Refresh Rate (Hz)	Dotclk (MHz)	Scan Type
SDTV (480i)	720	480	15.73	59.94	13.500	Interlace
SDTV (576i)	720	576	15.63	50	13.500	Interlace
SDTV (480p)	720	480	31.47	59.94	27.000	Progressive
SDTV (576p)	720	576	31.25	50	27.000	Progressive

HD

Compatible Mode

Mode	Computer		HDMI/HDBaseT									DVI-D
	YCbCr	RGB HV	YCbCr						RGB			RGB
			4:2:2			4:4:4			RGB			RGB
			8	10	12	8	10	12	8	10	12	8
HDTV (720p)_50		✓	✓	✓	✓	✓	✓	✓	✓	✓	✓	✓

Mode	Computer		HDMI/HDBaseT									DVI-D
	YCbCr	RGB HV	YCbCr						RGB			RGB
			4:2:2			4:4:4			RGB			RGB
			8	10	12	8	10	12	8	10	12	8
HDTV (720p)_59.94		✓	✓	✓	✓	✓	✓	✓	✓	✓	✓	✓
HDTV (720p)_60		✓	✓	✓	✓	✓	✓	✓	✓	✓	✓	✓
HDTV (1080i)_50			✓	✓	✓	✓	✓	✓	✓	✓	✓	✓
HDTV (1080i)_59.94			✓	✓	✓	✓	✓	✓	✓	✓	✓	✓
HDTV (1080i)_60			✓	✓	✓	✓	✓	✓	✓	✓	✓	✓
HDTV (1080p)_23.98			✓	✓	✓	✓	✓	✓	✓	✓	✓	✓
HDTV (1080p)_24			✓	✓*	✓*	✓	✓*	✓*	✓	✓*	✓*	✓
HDTV (1080p)_29.97			✓	✓	✓	✓	✓	✓	✓	✓	✓	✓
HDTV (1080p)_30			✓	✓*	✓*	✓	✓*	✓*	✓	✓*	✓*	✓
HDTV (1080p)_50		✓	✓	✓*	✓*	✓	✓*	✓*	✓	✓*	✓*	✓

Mode	Computer		HDMI/HDBaseT									DVI-D
	YCbCr	RGBHV	YCbCr						RGB			RGB
			4:2:2			4:4:4			8	10	12	
			8	10	12	8	10	12				
HDTV (1080p)_59.94	✓	✓	✓	✓	✓	✓	✓	✓	✓	✓	✓	✓
HDTV (1080p)_60	✓	✓	✓*	✓*	✓	✓*	✓*	✓	✓*	✓*	✓	✓

* Supports HDR (HDR10 and HLG).

Mode Information

Mode	Resolution (dot)		H Sync (KHz)	Refresh Rate (Hz)	Dotclk (MHz)	Scan Type
HDTV (720p)_50	1280	720	37.50	50	74.250	Progressive
HDTV (720p)_59.94	1280	720	44.96	59.94	74.176	Progressive
HDTV (720p)_60	1280	720	45.00	60	74.250	Progressive
HDTV (1080i)_50	1920	1080	28.13	50	74.250	Interlace
HDTV (1080i)_59.94	1920	1080	33.72	59.94	74.176	Interlace
HDTV (1080i)_60	1920	1080	33.75	60	74.250	Interlace
HDTV (1080p)_23.98	1920	1080	26.97	23.98	74.176	Progressive

Mode	Resolution (dot)		H Sync (KHz)	Refresh Rate (Hz)	Dotclk (MHz)	Scan Type
HDTV (1080p)_24	1920	1080	27.00	24	74.250	Progressive
HDTV (1080p)_29.97	1920	1080	33.72	29.97	74.176	Progressive
HDTV (1080p)_30	1920	1080	33.75	30	74.250	Progressive
HDTV (1080p)_50	1920	1080	56.25	50	148.500	Progressive
HDTV (1080p)_59.94	1920	1080	67.43	59.94	148.352	Progressive
HDTV (1080p)_60	1920	1080	67.50	60	148.500	Progressive

21:9

Compatible Mode

Mode	HDMI/HDBaseT												
	YCbCr									RGB			
	4:2:0			4:2:2			4:4:4			8	10	12	
	8	10	12	8	10	12	8	10	12				
2560×1080											✓		

Mode Information

Mode	Resolution (dot)		H Sync (KHz)	Refresh Rate (Hz)	Dotclk (MHz)	Scan Type
2560×1080	2560	1080	66.00	60	198.000	Progressive

4K

Compatible Mode

Mode	HDMI/HDBaseT												
	YCbCr									RGB			
	4:2:0			4:2:2			4:4:4						
	8	10	12	8	10	12	8	10	12	8	10	12	
4K (3840×2160) _23.98				✓	✓	✓	✓				✓		
4K (3840×2160) _24				✓	✓*	✓*	✓				✓		
4K (3840×2160) _25				✓	✓*	✓*	✓				✓		
4K (3840×2160) _29.97				✓	✓	✓	✓				✓		
4K (3840×2160) _30				✓	✓*	✓*	✓				✓		
4K (3840×2160) _50	✓												
4K (3840×2160) _59.94	✓												
4K (3840×2160) _60	✓												

Mode	HDMI/HDBaseT												
	YCbCr									RGB			
	4:2:0			4:2:2			4:4:4						
	8	10	12	8	10	12	8	10	12	8	10	12	
4K(4096×2160) (SMPTE)_2 3.98				✓	✓	✓	✓				✓		
4K(4096×2160) (SMPTE)_2 4				✓	✓	✓	✓				✓		
4K(4096×2160) (SMPTE)_5 0	✓												
4K(4096×2160) (SMPTE)_5 9.94	✓												
4K(4096×2160) (SMPTE)_6 0	✓												

* Supports HDR (HDR10 and HLG).

Mode Information

Mode	Resolution (dot)		H Sync (KHz)	Refresh Rate (Hz)	Dotclk (MHz)	Scan Type
4K (3840×2160)_2 3.98	3840	2160	53.95	23.98	296.703	Progressive
4K (3840×2160)_2 4	3840	2160	54.00	24	297.000	Progressive
4K (3840×2160)_2 5	3840	2160	56.25	25	297.000	Progressive
4K (3840×2160)_2 9.97	3840	2160	67.43	29.97	296.703	Progressive
4K (3840×2160)_3 0	3840	2160	67.50	30	297.000	Progressive
4K (3840×2160)_5 0	3840	2160	112.50	50	297.000	Progressive
4K (3840×2160)_5 9.94	3840	2160	134.87	59.94	296.703	Progressive
4K (3840×2160)_6 0	3840	2160	135.00	60	297.000	Progressive
4K(4096×2160) (SMPTE)_23.9 8	4096	2160	53.95	23.98	296.703	Progressive
4K(4096×2160) (SMPTE)_24	4096	2160	54.00	24	297.000	Progressive

Mode	Resolution (dot)		H Sync (KHz)	Refresh Rate (Hz)	Dotclk (MHz)	Scan Type
4K(4096×2160) (SMPTE)_50	4096	2160	112.50	50	297.000	Progressive
4K(4096×2160) (SMPTE)_59.9 4	4096	2160	134.87	59.94	296.703	Progressive
4K(4096×2160) (SMPTE)_60	4096	2160	135.00	60	297.000	Progressive

SDI-In (EB-PU2010B/EB-PU2010W)

Compatible Mode

Mode	SDI		
	YCbCr		
	4:2:2		
	8	10	12
SD-SDI (NTSC)		✓	
SD-SDI (PAL)		✓	
HD-SDI (720p)_50		✓	
HD-SDI (720p)_59.94		✓	
HD-SDI (720p)_60		✓	
HD-SDI (1080i)_50		✓	
HD-SDI (1080i)_59.94		✓	
HD-SDI (1080i)_60		✓	
HD-SDI (1080p)_23.98		✓	
HD-SDI (1080p)_24		✓	

Mode	SDI		
	YCbCr		
	4:2:2		
	8	10	12
HD-SDI (1080p)_25		✓	
HD-SDI (1080p)_29.97		✓	
HD-SDI (1080p)_30		✓	
3G-SDI (1080p)_50		✓	
3G-SDI (1080p)_59.94		✓	
3G-SDI (1080p)_60		✓	

Mode Information

Mode	Resolution (dot)		H Sync (KHz)	Refresh Rate (Hz)	Dotclk (MHz)	Scan Type
SD-SDI (NTSC)	720	480	15.73	59.94	13.500	Interlace
SD-SDI (PAL)	720	576	15.63	50	13.500	Interlace
HD-SDI (720p)_50	1280	720	37.50	50	74.250	Progressive
HD-SDI (720p)_59.94	1280	720	44.96	59.94	74.176	Progressive
HD-SDI (720p)_60	1280	720	45.00	60	74.250	Progressive

Mode	Resolution (dot)		H Sync (KHz)	Refresh Rate (Hz)	Dotclk (MHz)	Scan Type
HD-SDI (1080p)_50	1920	1080	28.13	50	74.250	Interlace
HD-SDI (1080p)_59.94	1920	1080	33.72	59.94	74.176	Interlace
HD-SDI (1080p)_60	1920	1080	33.75	60	74.250	Interlace
HD-SDI (1080p)_23.98	1920	1080	26.97	23.98	74.176	Progressive
HD-SDI (1080p)_24	1920	1080	27.00	24	74.250	Progressive
HD-SDI (1080p)_25	1920	1080	28.13	25	74.250	Progressive
HD-SDI (1080p)_29.97	1920	1080	33.72	29.97	74.176	Progressive
HD-SDI (1080p)_30	1920	1080	33.75	30	74.250	Progressive
3G-SDI (1080p)_50	1920	1080	56.25	50	148.500	Progressive

Mode	Resolution (dot)		H Sync (KHz)	Refresh Rate (Hz)	Dotclk (MHz)	Scan Type
3G-SDI (1080p)_59.94	1920	1080	67.43	59.94	148.352	Progressive
3G-SDI (1080p)_60	1920	1080	67.50	60	148.500	Progressive

* 3G-SDI only supports Level A.

Installation Specifications

Check these sections for the technical specifications and important notices to install the projector.

▶ Related Links

- "Precautions on Installation" [p.25](#)
- "Screen Size and Projection Distance" [p.28](#)
- "Remote Control Operation" [p.56](#)
- "Keystone Correction Range" [p.57](#)
- "Curved Surface Correction Range for Camera Assist" [p.71](#)
- "Lens Shift Adjustment Range" [p.78](#)

You can install the projector or mount it to the ceiling at any horizontal or vertical angle. Note the following precautions when installing the projector.

Warning

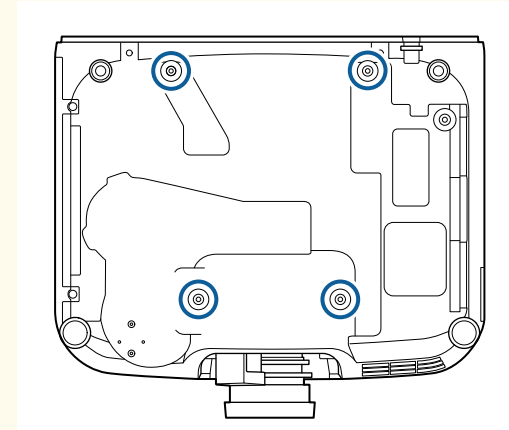
- Do not use adhesives on the ceiling mount fixing points to prevent the screws from loosening, or use lubricants, oils, or similar substances on the projector; the projector case may crack causing it to fall from its ceiling mount. This could cause serious injury to anyone under the ceiling mount and could damage the projector.
- Do not install the projector in a location subject to high levels of dust or humidity, or in a location subject to smoke or steam. Otherwise, it could cause a fire or electric shock to occur. The projector's case could also deteriorate and be damaged causing the projector to fall from the mount.

Examples of environments that could cause the projector to fall due to case deterioration

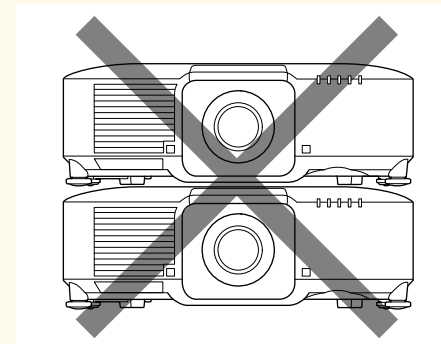
- Locations subject to excessive smoke or airborne oil particles, such as factories or kitchens
- Locations containing volatile solvents or chemicals, such as factories or laboratories
- Locations where the projector could be subjected to detergents or chemicals, such as factories or kitchens
- Locations in which aroma oils are often used, such as relaxation rooms
- Near devices that produce excessive smoke, airborne oil particles, or foam at events

Attention

- Use M6 screws (up to a depth of 14 mm) to fix the projector's ceiling mount fixing points and the mounting hardware at four points.



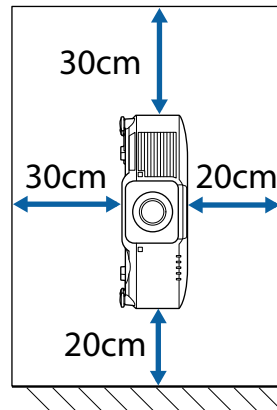
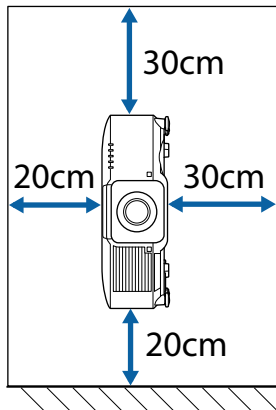
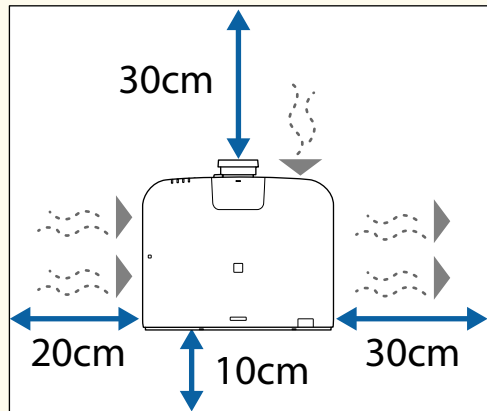
- Do not stack projectors directly on top of each other.



Installation space

Attention

- Be sure to leave the following amount of space around the projector so as not to block the air exhaust and intake vents.

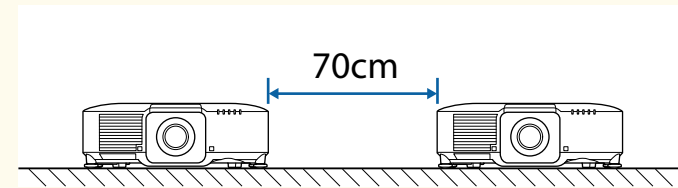


- Do not install the projector in a location that does not allow air to circulate, such as on a shelf or in a box.

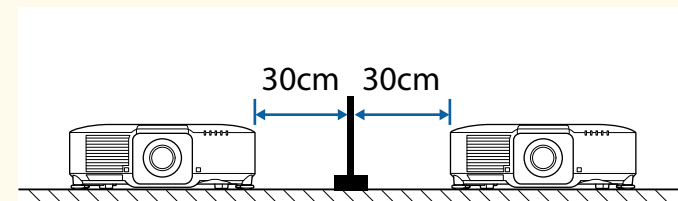
Installation space (When installing multiple projectors side by side)

Attention

- If you are installing multiple projectors next to each other, make sure hot air from the exhaust vent does not go into the air intake vent of another projector.



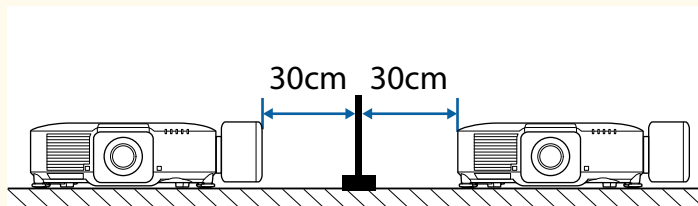
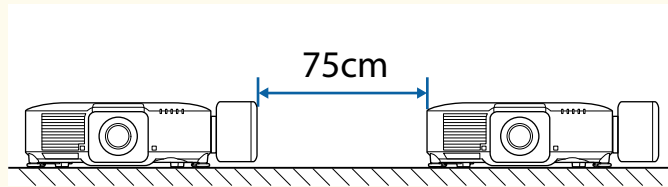
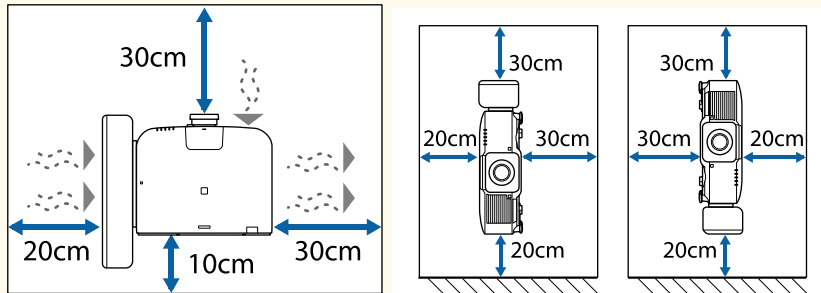
- If you use a partition, you can narrow the space between the projectors.



Installation space (When installing the optional external air filter)

Attention

If you are installing the optional external air filter to your projector, be sure to leave the following amount of space around the projector.

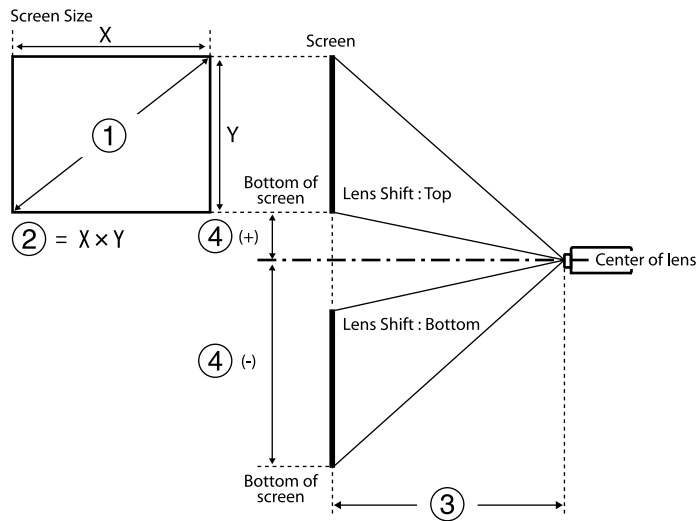


Check the tables in these sections to determine how far to place the projector from the screen based on the size of the projected image.

► **Related Links**

- "Projection Distance Formula" [p.28](#)
- "Projection Distance" [p.39](#)

Projection Distance Formula



- ① Screen size (inches)
- ② Screen size (Width \times Height)
- ③ Projection distance (Minimum: Wide to Maximum: Tele)
- ④ Distance from the center of the lens to the bottom of the screen

EB-PU2010B/EB-PU2010W:

16:10

Lens	Projection distance formula		Throw ratio (projection distance/x)
ELPLX02 ELPLX02S ELPLX02W ELPLX02WS	-	③ (cm) = ① (inches) \times 0.77 - 3.40	0.35
ELPLU02 ELPLU04	Minimum	③ (cm) = ① (inches) \times 1.42 - 5.65	0.64 - 0.77
	Maximum	③ (cm) = ① (inches) \times 1.71 - 5.52	
ELPLU03 ELPLU03S	Minimum	③ (cm) = ① (inches) \times 1.05 - 3.49	0.48 - 0.57
	Maximum	③ (cm) = ① (inches) \times 1.26 - 3.28	
ELPLW04 ELPLW06	Minimum	③ (cm) = ① (inches) \times 2.61 - 7.51	1.19 - 1.62
	Maximum	③ (cm) = ① (inches) \times 3.55 - 6.99	
ELPLW05	Minimum	③ (cm) = ① (inches) \times 1.70 - 7.86	0.77 - 1.07
	Maximum	③ (cm) = ① (inches) \times 2.35 - 5.80	
ELPLW08	Minimum	③ (cm) = ① (inches) \times 1.88 - 3.92	0.86 - 1.21
	Maximum	③ (cm) = ① (inches) \times 2.64 - 5.10	
ELPLM06 ELPLM10	Minimum	③ (cm) = ① (inches) \times 5.33 - 13.21	2.42 - 3.71
	Maximum	③ (cm) = ① (inches) \times 8.10 - 13.08	
ELPLM07 ELPLM11	Minimum	③ (cm) = ① (inches) \times 7.81 - 23.86	3.54 - 5.41
	Maximum	③ (cm) = ① (inches) \times 11.83 - 23.55	

Lens	Projection distance formula		Throw ratio (projection distance/x)
ELPLM08	Minimum	③ (cm) = ① (inches) × 2.31 - 5.10	1.06 - 1.69
	Maximum	③ (cm) = ① (inches) × 3.70 - 4.54	
ELPLM09 ELPLM15 ELPLS04	Minimum	③ (cm) = ① (inches) × 3.45 - 8.18	1.57 - 2.56
	Maximum	③ (cm) = ① (inches) × 5.57 - 8.02	
ELPLL07 ELPLL08	Minimum	③ (cm) = ① (inches) × 11.59 - 31.52	5.27 - 7.41
	Maximum	③ (cm) = ① (inches) × 16.21 - 31.81	
ELPLR04	-	③ (cm) = ① (inches) × 1.56 - 6.62	0.70

Lens	Distance from the center of the lens to the base of the screen
ELPLU02	④ (+) (cm) = ① (inches) × 0.14
ELPLU04 ELPLW04 ELPLW06 ELPLW08 ELPLM06 ELPLM07 ELPLM09 ELPLM10 ELPLM11 ELPLM15 ELPLS04 ELPLL07 ELPLL08	④ (-) (cm) = ① (inches) × 1.48

Lens	Distance from the center of the lens to the base of the screen
ELPLX02 ELPLX02S ELPLX02W ELPLX02WS	④ (+) (cm) = ① (inches) × 0.27 ④ (-) (cm) = ① (inches) × 0.07
ELPLU03 ELPLU03S ELPLW05 ELPLM08	④ (-) (cm) = ① (inches) × 0.35 to ① (inches) × 1.00
ELPLR04	④ (+)/(-) (cm) = ① (inches) × 0.67

16:9

Lens	Projection distance formula		Throw ratio (projection distance/x)
ELPLX02 ELPLX02S ELPLX02W ELPLX02WS	-	③ (cm) = ① (inches) × 0.79 - 3.40	0.35
ELPLU02 ELPLU04	Minimum	③ (cm) = ① (inches) × 1.46 - 5.65	0.64 - 0.77
	Maximum	③ (cm) = ① (inches) × 1.76 - 5.52	
ELPLU03 ELPLU03S	Minimum	③ (cm) = ① (inches) × 1.08 - 3.49	0.48 - 0.57
	Maximum	③ (cm) = ① (inches) × 1.29 - 3.28	
ELPLW04 ELPLW06	Minimum	③ (cm) = ① (inches) × 2.69 - 7.51	1.19 - 1.62
	Maximum	③ (cm) = ① (inches) × 3.65 - 6.99	
ELPLW05	Minimum	③ (cm) = ① (inches) × 1.75 - 7.86	0.77 - 1.07

Lens	Projection distance formula		Throw ratio (projection distance/x)
	Maximum	③ (cm) = ① (inches) × 2.42 - 5.80	
ELPLW08	Minimum	③ (cm) = ① (inches) × 1.93 - 3.92	0.86 - 1.21
	Maximum	③ (cm) = ① (inches) × 2.72 - 5.10	
ELPLM06 ELPLM10	Minimum	③ (cm) = ① (inches) × 5.47 - 13.21	2.42 - 3.71
	Maximum	③ (cm) = ① (inches) × 8.32 - 13.08	
ELPLM07 ELPLM11	Minimum	③ (cm) = ① (inches) × 8.03 - 23.86	3.54 - 5.41
	Maximum	③ (cm) = ① (inches) × 12.16 - 23.55	
ELPLM08	Minimum	③ (cm) = ① (inches) × 2.38 - 5.10	1.06 - 1.69
	Maximum	③ (cm) = ① (inches) × 3.81 - 4.54	
ELPLM09 ELPLM15 ELPLS04	Minimum	③ (cm) = ① (inches) × 3.55 - 8.18	1.57 - 2.56
	Maximum	③ (cm) = ① (inches) × 5.73 - 8.02	
ELPLL07 ELPLL08	Minimum	③ (cm) = ① (inches) × 11.92 - 31.52	5.27 - 7.41
	Maximum	③ (cm) = ① (inches) × 16.66 - 31.81	
ELPLR04	-	③ (cm) = ① (inches) × 1.60 - 6.62	0.70

Lens	Distance from the center of the lens to the base of the screen
ELPLU02 ELPLU04 ELPLW04 ELPLW06 ELPLW08 ELPLM06 ELPLM07 ELPLM09 ELPLM10 ELPLM11 ELPLM15 ELPLS04 ELPLL07 ELPLL08	④ (+) (cm) = ① (inches) × 0.21 ④ (-) (cm) = ① (inches) × 1.45
ELPLX02 ELPLX02S ELPLX02W ELPLX02WS	④ (+) (cm) = 0 to ① (inches) × 0.35
ELPLU03 ELPLU03S ELPLW05 ELPLM08	④ (-) (cm) = ① (inches) × 0.29 to ① (inches) × 0.96
ELPLR04	④ (+)/(-) (cm) = ① (inches) × 0.62

4:3

Lens	Projection distance formula		Throw ratio (projection distance/x)
ELPLX02 ELPLX02S ELPLX02W ELPLX02WS	-	③ (cm) = ① (inches) × 0.87 - 3.40	0.42
ELPLU02 ELPLU04	Minimum	③ (cm) = ① (inches) × 1.61 - 5.65	0.77 - 0.93
	Maximum	③ (cm) = ① (inches) × 1.93 - 5.52	
ELPLU03 ELPLU03S	Minimum	③ (cm) = ① (inches) × 1.19 - 3.49	0.57 - 0.69
	Maximum	③ (cm) = ① (inches) × 1.43 - 3.28	
ELPLW04 ELPLW06	Minimum	③ (cm) = ① (inches) × 2.96 - 7.51	1.42 - 1.95
	Maximum	③ (cm) = ① (inches) × 4.02 - 6.99	
ELPLW05	Minimum	③ (cm) = ① (inches) × 1.93 - 7.86	0.92 - 1.29
	Maximum	③ (cm) = ① (inches) × 2.66 - 5.80	
ELPLW08	Minimum	③ (cm) = ① (inches) × 2.13 - 3.92	1.03 - 1.46
	Maximum	③ (cm) = ① (inches) × 2.99 - 5.10	
ELPLM06 ELPLM10	Minimum	③ (cm) = ① (inches) × 6.03 - 13.21	2.91 - 4.45
	Maximum	③ (cm) = ① (inches) × 9.17 - 13.08	
ELPLM07 ELPLM11	Minimum	③ (cm) = ① (inches) × 8.84 - 23.86	4.25 - 6.49
	Maximum	③ (cm) = ① (inches) × 13.39 - 23.55	
ELPLM08	Minimum	③ (cm) = ① (inches) × 2.62 - 5.10	1.27 - 2.03

Lens	Projection distance formula		Throw ratio (projection distance/x)
		Maximum	
ELPLM09 ELPLM15 ELPLS04	Minimum	③ (cm) = ① (inches) × 3.91 - 8.18	1.89 - 3.07
	Maximum	③ (cm) = ① (inches) × 6.31 - 8.02	
ELPLL07 ELPLL08	Minimum	③ (cm) = ① (inches) × 13.13 - 31.52	6.32 - 8.89
	Maximum	③ (cm) = ① (inches) × 18.35 - 31.81	
ELPLR04	-	③ (cm) = ① (inches) × 1.76 - 6.62	0.84

Lens	Distance from the center of the lens to the base of the screen
ELPLU02 ELPLU04 ELPLW04 ELPLW06 ELPLW08 ELPLM06 ELPLM07 ELPLM09 ELPLM10 ELPLM11 ELPLM15 ELPLS04 ELPLL07 ELPLL08	④ (+) (cm) = ① (inches) × 0.15 ④ (-) (cm) = ① (inches) × 1.68

Lens	Distance from the center of the lens to the base of the screen
ELPLX02 ELPLX02S ELPLX02W ELPLX02WS	④ (+) (cm) = ① (inches) × 0.08 to ① (inches) × 0.30
ELPLU03 ELPLU03S ELPLW05 ELPLM08	④ (-) (cm) = ① (inches) × 0.40 to ① (inches) × 1.13
ELPLR04	④ (+)/(-) (cm) = ① (inches) × 0.76

Lens	Projection distance formula		Throw ratio (projection distance/x)
	Maximum	③ (cm) = ① (inches) × 2.55 - 5.80	
ELPLW08	Minimum	③ (cm) = ① (inches) × 2.04 - 3.92	0.86 - 1.21
	Maximum	③ (cm) = ① (inches) × 2.87 - 5.10	
ELPLM06 ELPLM10	Minimum	③ (cm) = ① (inches) × 5.77 - 13.21	2.42 - 3.71
	Maximum	③ (cm) = ① (inches) × 8.78 - 13.08	
ELPLM07 ELPLM11	Minimum	③ (cm) = ① (inches) × 8.46 - 23.86	3.54 - 5.41
	Maximum	③ (cm) = ① (inches) × 12.82 - 23.55	
ELPLM08	Minimum	③ (cm) = ① (inches) × 2.51 - 5.10	1.06 - 1.69
	Maximum	③ (cm) = ① (inches) × 4.01 - 4.54	
ELPLM09 ELPLM15 ELPLS04	Minimum	③ (cm) = ① (inches) × 3.74 - 8.18	1.57 - 2.56
	Maximum	③ (cm) = ① (inches) × 6.04 - 8.02	
ELPLL07 ELPLL08	Minimum	③ (cm) = ① (inches) × 12.57 - 31.52	5.27 - 7.41
	Maximum	③ (cm) = ① (inches) × 17.57 - 31.81	
ELPLR04	-	③ (cm) = ① (inches) × 1.69 - 6.62	0.70

21:9

Lens	Projection distance formula		Throw ratio (projection distance/x)
ELPLX02 ELPLX02S ELPLX02W ELPLX02WS	-	③ (cm) = ① (inches) × 0.84 - 3.40	0.35
ELPLU02 ELPLU04	Minimum	③ (cm) = ① (inches) × 1.54 - 5.65	0.64 - 0.77
	Maximum	③ (cm) = ① (inches) × 1.85 - 5.52	
ELPLU03 ELPLU03S	Minimum	③ (cm) = ① (inches) × 1.14 - 3.49	0.48 - 0.57
	Maximum	③ (cm) = ① (inches) × 1.36 - 3.28	
ELPLW04 ELPLW06	Minimum	③ (cm) = ① (inches) × 2.83 - 7.51	1.19 - 1.62
	Maximum	③ (cm) = ① (inches) × 3.85 - 6.99	
ELPLW05	Minimum	③ (cm) = ① (inches) × 1.85 - 7.86	0.77 - 1.07

Lens	Distance from the center of the lens to the base of the screen
ELPLU02 ELPLU04 ELPLW04 ELPLW06 ELPLW08 ELPLM06 ELPLM07 ELPLM09 ELPLM10 ELPLM11 ELPLM15 ELPLS04 ELPLL07 ELPLL08	$④ (+) (cm) = ① (inches) \times 0.38$ $④ (-) (cm) = ① (inches) \times 1.38$
ELPLX02 ELPLX02S ELPLX02W ELPLX02WS	$④ (+) (cm) = ① (inches) \times 0.16$ to $① (inches) \times 0.52$
ELPLU03 ELPLU03S ELPLW05 ELPLM08	$④ (-) (cm) = ① (inches) \times 0.85$ to $① (inches) \times 0.15$
ELPLR04	$④ (+)/(-) (cm) = ① (inches) \times -0.50$

EB-PU1008B/EB-PU1008W/EB-PU1007B/EB-PU1007W/EB-PU1006W:

16:10

Lens	Projection distance formula		Throw ratio (projection distance/x)
ELPLX01 ELPLX01S ELPLX01W ELPLX01WS	-	$③ (cm) = ① (inches) \times 0.79 - 5.16$	0.35
ELPLU02 ELPLU04	Minimum	$③ (cm) = ① (inches) \times 1.94 - 5.72$	0.87 - 1.05
	Maximum	$③ (cm) = ① (inches) \times 2.33 - 5.68$	
ELPLU03 ELPLU03S	Minimum	$③ (cm) = ① (inches) \times 1.44 - 3.77$	0.65 - 0.78
	Maximum	$③ (cm) = ① (inches) \times 1.72 - 3.63$	
ELPLW04 ELPLW06	Minimum	$③ (cm) = ① (inches) \times 3.58 - 7.32$	1.62 - 2.22
	Maximum	$③ (cm) = ① (inches) \times 4.87 - 8.32$	
ELPLW05	Minimum	$③ (cm) = ① (inches) \times 2.32 - 7.65$	1.04 - 1.46
	Maximum	$③ (cm) = ① (inches) \times 3.21 - 5.81$	
ELPLW08	Minimum	$③ (cm) = ① (inches) \times 2.58 - 4.78$	1.18 - 1.66
	Maximum	$③ (cm) = ① (inches) \times 3.62 - 5.44$	
ELPLM06 ELPLM10	Minimum	$③ (cm) = ① (inches) \times 7.30 - 13.04$	3.32 - 5.06
	Maximum	$③ (cm) = ① (inches) \times 11.03 - 13.01$	
ELPLM07 ELPLM11	Minimum	$③ (cm) = ① (inches) \times 10.70 - 23.67$	4.85 - 7.38
	Maximum	$③ (cm) = ① (inches) \times 16.14 - 23.47$	

Lens	Projection distance formula		Throw ratio (projection distance/x)
ELPLM08	Minimum	③ (cm) = ① (inches) × 3.16 - 5.00	1.44 - 2.32
	Maximum	③ (cm) = ① (inches) × 5.05 - 4.49	
ELPLM09 ELPLM15 ELPLS04	Minimum	③ (cm) = ① (inches) × 4.73 - 8.00	2.16 - 3.48
	Maximum	③ (cm) = ① (inches) × 7.59 - 7.93	
ELPLL07 ELPLL08	Minimum	③ (cm) = ① (inches) × 15.87 - 31.85	7.21 - 10.11
	Maximum	③ (cm) = ① (inches) × 22.11 - 31.62	
ELPLR04	-	③ (cm) = ① (inches) × 2.12 - 6.10	0.95

Lens	Distance from the center of the lens to the base of the screen
ELPLU02 ELPLU03 ELPLU03S ELPLU04 ELPLW04 ELPLW05 ELPLW06 ELPLW08 ELPLM06 ELPLM07 ELPLM08 ELPLM09 ELPLM10 ELPLM11 ELPLM15 ELPLS04 ELPLL07 ELPLL08	$④ (+) (cm) = ① (inches) \times 0.24$ $④ (-) (cm) = ① (inches) \times 1.58$
ELPLX01 ELPLX01S ELPLX01W ELPLX01WS	$④ (+) (cm) = 0 \text{ to } ① (inches) \times 0.24$
ELPLR04	$④ (+)/(-) (cm) = ① (inches) \times 0.67$

16:9

Lens	Projection distance formula		Throw ratio (projection distance/x)
ELPLX01 ELPLX01S ELPLX01W ELPLX01WS	-	③ (cm) = ① (inches) × 0.81 - 5.16	0.35
ELPLU02 ELPLU04	Minimum	③ (cm) = ① (inches) × 1.99 - 5.72	0.87 - 1.05
	Maximum	③ (cm) = ① (inches) × 2.39 - 5.68	
ELPLU03 ELPLU03S	Minimum	③ (cm) = ① (inches) × 1.48 - 3.77	0.65 - 0.78
	Maximum	③ (cm) = ① (inches) × 1.77 - 3.63	
ELPLW04 ELPLW06	Minimum	③ (cm) = ① (inches) × 3.68 - 7.32	1.62 - 2.22
	Maximum	③ (cm) = ① (inches) × 5.00 - 8.32	
ELPLW05	Minimum	③ (cm) = ① (inches) × 2.39 - 7.65	1.04 - 1.46
	Maximum	③ (cm) = ① (inches) × 3.30 - 5.81	
ELPLW08	Minimum	③ (cm) = ① (inches) × 2.65 - 4.78	1.18 - 1.66
	Maximum	③ (cm) = ① (inches) × 3.72 - 5.44	
ELPLM06 ELPLM10	Minimum	③ (cm) = ① (inches) × 7.50 - 13.04	3.32 - 5.06
	Maximum	③ (cm) = ① (inches) × 11.34 - 13.01	
ELPLM07 ELPLM11	Minimum	③ (cm) = ① (inches) × 11.00 - 23.67	4.85 - 7.38
	Maximum	③ (cm) = ① (inches) × 16.59 - 23.47	
ELPLM08	Minimum	③ (cm) = ① (inches) × 3.25 - 5.00	1.44 - 2.32

Lens	Projection distance formula		Throw ratio (projection distance/x)
	Maximum	③ (cm) = ① (inches) × 5.19 - 4.49	
ELPLM09 ELPLM15 ELPLS04	Minimum	③ (cm) = ① (inches) × 4.86 - 8.00	2.16 - 3.48
	Maximum	③ (cm) = ① (inches) × 7.80 - 7.93	
ELPLL07 ELPLL08	Minimum	③ (cm) = ① (inches) × 16.31 - 31.85	7.21 - 10.11
	Maximum	③ (cm) = ① (inches) × 22.73 - 31.62	
ELPLR04	-	③ (cm) = ① (inches) × 2.18 - 6.10	0.95

Lens	Distance from the center of the lens to the base of the screen
ELPLU02	$\text{④ (+) (cm)} = \text{① (inches)} \times 0.31$ $\text{④ (-) (cm)} = \text{① (inches)} \times 1.56$
ELPLU03	
ELPLU03S	
ELPLU04	
ELPLW04	
ELPLW05	
ELPLW06	
ELPLW08	
ELPLM06	
ELPLM07	
ELPLM08	
ELPLM09	
ELPLM10	
ELPLM11	
ELPLM15	
ELPLS04	
ELPLL07	
ELPLL08	
ELPLX01 ELPLX01S ELPLX01W ELPLX01WS	$\text{④ (+) (cm)} = \text{① (inches)} \times 0.07 \text{ to } \text{① (inches)} \times 0.31$
ELPLR04	$\text{④ (+)/(-) (cm)} = \text{① (inches)} \times 0.62$

4:3

Lens	Projection distance formula		Throw ratio (projection distance/x)
ELPLX01 ELPLX01S ELPLX01W ELPLX01WS	-	$\text{③ (cm)} = \text{① (inches)} \times 0.89 - 5.16$	0.42
ELPLU02 ELPLU04	Minimum	$\text{③ (cm)} = \text{① (inches)} \times 2.20 - 5.72$	1.05 - 1.26
	Maximum	$\text{③ (cm)} = \text{① (inches)} \times 2.64 - 5.68$	
ELPLU03 ELPLU03S	Minimum	$\text{③ (cm)} = \text{① (inches)} \times 1.63 - 3.77$	0.78 - 0.94
	Maximum	$\text{③ (cm)} = \text{① (inches)} \times 1.95 - 3.63$	
ELPLW04 ELPLW06	Minimum	$\text{③ (cm)} = \text{① (inches)} \times 4.05 - 7.32$	1.95 - 2.66
	Maximum	$\text{③ (cm)} = \text{① (inches)} \times 5.51 - 8.32$	
ELPLW05	Minimum	$\text{③ (cm)} = \text{① (inches)} \times 2.63 - 7.65$	1.25 - 1.75
	Maximum	$\text{③ (cm)} = \text{① (inches)} \times 3.63 - 5.81$	
ELPLW08	Minimum	$\text{③ (cm)} = \text{① (inches)} \times 2.92 - 4.78$	1.41 - 1.99
	Maximum	$\text{③ (cm)} = \text{① (inches)} \times 4.09 - 5.44$	
ELPLM06 ELPLM10	Minimum	$\text{③ (cm)} = \text{① (inches)} \times 8.26 - 13.04$	3.99 - 6.07
	Maximum	$\text{③ (cm)} = \text{① (inches)} \times 12.49 - 13.01$	
ELPLM07 ELPLM11	Minimum	$\text{③ (cm)} = \text{① (inches)} \times 12.11 - 23.67$	5.82 - 8.85
	Maximum	$\text{③ (cm)} = \text{① (inches)} \times 18.27 - 23.47$	
ELPLM08	Minimum	$\text{③ (cm)} = \text{① (inches)} \times 3.58 - 5.00$	1.73 - 2.79

Lens	Projection distance formula		Throw ratio (projection distance/x)
	Maximum	③ (cm) = ① (inches) × 5.72 - 4.49	
ELPLM09 ELPLM15 ELPLS04	Minimum	③ (cm) = ① (inches) × 5.35 - 8.00	2.59 - 4.18
	Maximum	③ (cm) = ① (inches) × 8.59 - 7.93	
ELPLL07 ELPLL08	Minimum	③ (cm) = ① (inches) × 17.96 - 31.85	8.65 - 12.13
	Maximum	③ (cm) = ① (inches) × 25.03 - 31.62	
ELPLR04	-	③ (cm) = ① (inches) × 2.40 - 6.10	1.14

Lens	Distance from the center of the lens to the base of the screen	
ELPLU02	④ (+) (cm) = ① (inches) × 0.27	
ELPLU03		
ELPLU03S	④ (-) (cm) = ① (inches) × 1.79	
ELPLU04		
ELPLW04		
ELPLW05		
ELPLW06		
ELPLW08		
ELPLM06		
ELPLM07		
ELPLM08		
ELPLM09		
ELPLM10		
ELPLM11		
ELPLM15		
ELPLS04		
ELPLL07		
ELPLL08		
ELPLX01 ELPLX01S ELPLX01W ELPLX01WS		④ (+) (cm) = 0 to ① (inches) × 0.27
ELPLR04		④ (+)/(-) (cm) = ① (inches) × 0.76

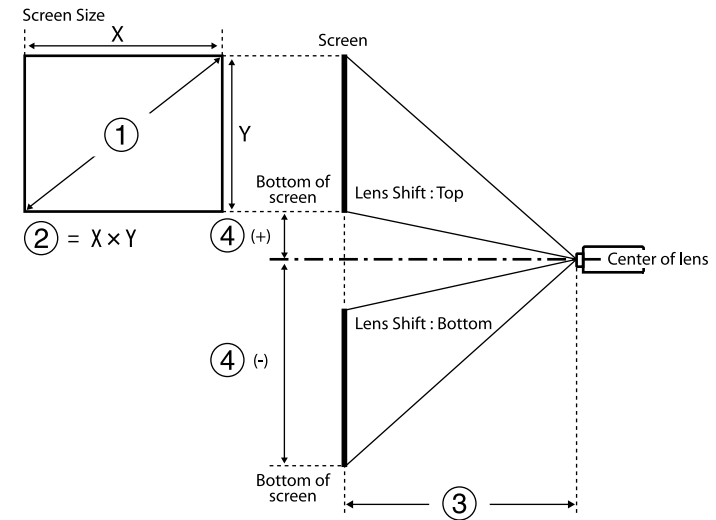
21:9

Lens	Projection distance formula		Throw ratio (projection distance/x)
ELPLX01 ELPLX01S ELPLX01W ELPLX01WS	-	③ (cm) = ① (inches) × 0.85 - 5.16	0.35
ELPLU02 ELPLU04	Minimum	③ (cm) = ① (inches) × 2.10 - 5.72	0.87 - 1.05
	Maximum	③ (cm) = ① (inches) × 2.53 - 5.68	
ELPLU03 ELPLU03S	Minimum	③ (cm) = ① (inches) × 1.56 - 3.77	0.65 - 0.78
	Maximum	③ (cm) = ① (inches) × 1.87 - 3.63	
ELPLW04 ELPLW06	Minimum	③ (cm) = ① (inches) × 3.88 - 7.32	1.62 - 2.22
	Maximum	③ (cm) = ① (inches) × 5.28 - 8.32	
ELPLW05	Minimum	③ (cm) = ① (inches) × 2.52 - 7.65	1.04 - 1.46
	Maximum	③ (cm) = ① (inches) × 3.48 - 5.81	
ELPLW08	Minimum	③ (cm) = ① (inches) × 2.80 - 4.78	1.18 - 1.66
	Maximum	③ (cm) = ① (inches) × 3.92 - 5.44	
ELPLM06 ELPLM10	Minimum	③ (cm) = ① (inches) × 7.91 - 13.04	3.32 - 5.06
	Maximum	③ (cm) = ① (inches) × 11.96 - 13.01	
ELPLM07 ELPLM11	Minimum	③ (cm) = ① (inches) × 11.60 - 23.67	4.85 - 7.38
	Maximum	③ (cm) = ① (inches) × 17.49 - 23.47	
ELPLM08	Minimum	③ (cm) = ① (inches) × 3.43 - 5.00	1.44 - 2.32

Lens	Projection distance formula		Throw ratio (projection distance/x)
		Maximum	
ELPLM09 ELPLM15 ELPLS04	Minimum	③ (cm) = ① (inches) × 5.13 - 8.00	2.16 - 3.48
	Maximum	③ (cm) = ① (inches) × 8.23 - 7.93	
ELPLL07 ELPLL08	Minimum	③ (cm) = ① (inches) × 17.20 - 31.85	7.21 - 10.11
	Maximum	③ (cm) = ① (inches) × 23.97 - 31.62	
ELPLR04	-	③ (cm) = ① (inches) × 2.30 - 6.10	0.95

Lens	Distance from the center of the lens to the base of the screen
ELPLU02	④ (+) (cm) = ① (inches) × 0.49
ELPLU03	④ (-) (cm) = ① (inches) × 1.49
ELPLU03S	
ELPLU04	
ELPLW04	
ELPLW05	
ELPLW06	
ELPLW08	
ELPLM06	
ELPLM07	
ELPLM08	
ELPLM09	
ELPLM10	
ELPLM11	
ELPLM15	
ELPLS04	
ELPLL07	
ELPLL08	
ELPLX01 ELPLX01S ELPLX01W ELPLX01WS	④ (+) (cm) = ① (inches) × 0.23 to ① (inches) × 0.49
ELPLR04	④ (+)/(-) (cm) = ① (inches) × -0.50

Projection Distance



- ① Screen size (inches)
- ② Screen size (Width × Height) (cm)
- ③ Projection distance (Minimum: Wide to Maximum: Tele) (cm)
- ④ Distance from the center of the lens to the bottom of the screen (cm)

EB-PU2010B/EB-PU2010W:

When you project an over 500 inches image, the image may become a little bit blurred.

16:10

①	②	③	④
Inches	Width × Height	ELPLX02S ELPLX02WS ELPLX02 ELPLX02W	
100	215 × 135	74	-7 - 27
120	258 × 162	89	-8 - 32
150	323 × 202	112	-10 - 40
200	431 × 269	151	-13 - 54
300	646 × 404	228	-20 - 81
400	862 × 538	306	-27 - 108
500	1077 × 673	383	-34 - 135
800	1723 × 1077	615	-54 - 215
1000	2154 × 1346	769	-67 - 269

①	②	③				
Inches	Width × Height	ELPLU03S ELPLU03	ELPLU04 ELPLU02	ELPLW05	ELPLW08	ELPLW06 ELPLW04
60	129 × 81	-	80 - 97	94 - 135	109 - 154	149 - 206
80	172 × 108	80 - 97	108 - 131	129 - 182	146 - 206	202 - 277
100	215 × 135	101 - 123	136 - 165	163 - 229	184 - 259	254 - 348
120	258 × 162	122 - 148	165 - 199	197 - 276	222 - 312	306 - 419

①	②	③				
Inches	Width × Height	ELPLU03S ELPLU03	ELPLU04 ELPLU02	ELPLW05	ELPLW08	ELPLW06 ELPLW04
150	323 × 202	154 - 186	207 - 251	248 - 347	278 - 391	385 - 526
200	431 × 269	206 - 249	278 - 336	333 - 464	372 - 524	515 - 703
250	538 × 337	259 - 312	349 - 421	418 - 582	466 - 656	646 - 881
300	646 × 404	311 - 374	420 - 507	504 - 699	560 - 788	777 - 1058
500	1077 × 673	521 - 626	704 - 848	844 - 1169	936 - 1317	1299 - 1769
800	1723 × 1077	836 - 1004	1131 - 1361	1356 - 1874	1500 - 2110	2084 - 2834
1000	2154 × 1346	1045 - 1256	1415 - 1702	1697 - 2344	1876 - 2639	2606 - 3544

①	②	③				
Inches	Width × Height	ELPLM15 ELPLM09 ELPLS04	ELPLM10 ELPLM06	ELPLM11 ELPLM07	ELPLL08 ELPLL07	ELPLR04
60	129 × 81	199 - 326	306 - 473	445 - 686	664 - 941	87
80	172 × 108	268 - 438	413 - 635	601 - 923	896 - 1265	118
100	215 × 135	337 - 549	519 - 797	757 - 1160	1128 - 1589	149
120	258 × 162	406 - 661	626 - 959	913 - 1396	1360 - 1913	180

①	②	③				
Inches	Width × Height	ELPLM15 ELPLM09 ELPLS04	ELPLM10 ELPLM06	ELPLM11 ELPLM07	ELPLL08 ELPLL07	ELPLR04
150	323 × 202	509 - 828	786 - 1202	1147 - 1751	1708 - 2399	227
200	431 × 269	682 - 1106	1052 - 1607	1538 - 2343	2287 - 3209	304
250	538 × 337	855 - 1385	1318 - 2012	1928 - 2934	2867 - 4020	382
300	646 × 404	1027 - 1663	1585 - 2417	2319 - 3526	3447 - 4830	460
500	1077 × 673	1717 - 2777	2650 - 4036	3881 - 5892	5765 - 8071	771
800	1723 × 1077	2753 - 4449	4248 - 6466	6223 - 9441	9244 - 12933	1237
1000	2154 × 1346	3443 - 5563	5313 - 8086	7785 - 11807	11562 - 16174	1548

①	②	④		
Inches	Width × Height	ELPLR04	ELPLU03S ELPLU03 ELPLW05	Except for ELPLU03S/ ELPLU03/ ELPLW05/ ELPLR04
150	323 × 202	-101	-150 - -52	-222 - 20
200	431 × 269	-135	-199 - -70	-296 - 27
250	538 × 337	-168	-249 - -87	-370 - 34
300	646 × 404	-202	-299 - -105	-444 - 41
500	1077 × 673	-337	-499 - -175	-741 - 68
800	1723 × 1077	-538	-798 - -279	-1185 - 108
1000	2154 × 1346	-673	-997 - -349	-1482 - 135

* Except for ELPLU03/ELPLU03S.

①	②	④		
Inches	Width × Height	ELPLR04	ELPLU03S ELPLU03 ELPLW05	Except for ELPLU03S/ ELPLU03/ ELPLW05/ ELPLR04
60	129 × 81	-40	-60 - -21 *	-89 - 8
80	172 × 108	-54	-80 - -28	-119 - 11
100	215 × 135	-67	-100 - -35	-148 - 14
120	258 × 162	-81	-120 - -42	-178 - 16

①	②	③	④
Inches	Width × Height	ELPLM08	
80	172 × 108	180 - 292	-80 - -28
100	215 × 135	226 - 366	-100 - -35
120	258 × 162	273 - 440	-120 - -42
150	323 × 202	342 - 551	-149 - -53
200	431 × 269	458 - 736	-199 - -70
250	538 × 337	573 - 921	-249 - -88
300	646 × 404	689 - 1106	-299 - -105
500	1077 × 673	1152 - 1847	-498 - -175

①	②	③	④
Inches	Width × Height	ELPLM08	
800	1723 × 1077	1846 - 2957	-797 - -280
1000	2154 × 1346	2309 - 3698	-996 - -350

16:9

①	②	③	④
Inches	Width × Height	ELPLX02S ELPLX02WS ELPLX02 ELPLX02W	
98	217 × 122	74	0 - 34
100	221 × 125	76	0 - 35
120	266 × 149	92	0 - 42
150	332 × 187	116	0 - 52
200	443 × 249	155	0 - 69
300	664 × 374	235	0 - 104
400	886 × 498	314	0 - 138
500	1107 × 623	394	0 - 173
800	1771 × 996	632	0 - 277
950	2103 × 1183	751	0 - 329

①	②	③				
Inches	Width × Height	ELPLU03S ELPLU03	ELPLU04 ELPLU02	ELPLW05	ELPLW08	ELPLW06 ELPLW04
60	133 × 75	-	82 - 100	97 - 139	112 - 158	154 - 212
80	177 × 100	83 - 100	111 - 135	132 - 187	151 - 212	207 - 285
100	221 × 125	104 - 126	140 - 170	167 - 236	189 - 267	261 - 358
120	266 × 149	126 - 152	170 - 205	202 - 284	228 - 321	315 - 431
150	332 × 187	158 - 191	213 - 258	255 - 357	286 - 403	395 - 540
200	443 × 249	212 - 256	286 - 346	343 - 477	383 - 538	530 - 723
250	553 × 311	266 - 320	359 - 433	430 - 598	479 - 674	664 - 905
300	664 × 374	320 - 385	432 - 521	518 - 719	576 - 810	798 - 1088
500	1107 × 623	535 - 644	724 - 872	868 - 1202	962 - 1354	1336 - 1818
800	1771 × 996	859 - 1032	1162 - 1399	1394 - 1927	1542 - 2169	2142 - 2913
950	2103 × 1183	1021 - 1226	1381 - 1662	1657 - 2289	1832 - 2576	2545 - 3460

①	②	③				
Inches	Width × Height	ELPLM15 ELPLM09 ELPLS04	ELPLM10 ELPLM06	ELPLM11 ELPLM07	ELPLL08 ELPLL07	ELPLR04
60	133 × 75	205 - 336	315 - 486	458 - 706	683 - 968	89
80	177 × 100	276 - 450	425 - 653	618 - 949	922 - 1301	121
100	221 × 125	347 - 565	534 - 819	799 - 1192	1160 - 1634	153
120	266 × 149	417 - 679	644 - 986	939 - 1436	1398 - 1967	185
150	332 × 187	524 - 851	808 - 1236	1180 - 1800	1756 - 2467	233
200	443 × 249	701 - 1137	1082 - 1652	1581 - 2408	2352 - 3300	313
250	553 × 311	879 - 1423	1355 - 2068	1983 - 3016	2948 - 4132	393
300	664 × 374	1056 - 1710	1629 - 2484	2384 - 3624	3543 - 4965	473
500	1107 × 623	1765 - 2855	2724 - 4149	3989 - 6056	5927 - 8296	792
800	1771 × 996	2829 - 4573	4366 - 6646	6397 - 9704	9502 - 13293	1272
950	2103 × 1183	3361 - 5432	5187 - 7895	7601 - 11528	11289 - 15792	1512

①	②	④		
Inches	Width × Height	ELPLR04	ELPLU03S ELPLU03 ELPLW05	Except for ELPLU03S/ ELPLU03/ ELPLW05/ ELPLR04
60	133 × 75	-37	-57 - -17 *	-87 - 13
80	177 × 100	-50	-76 - -23	-116 - 17
100	221 × 125	-62	-96 - -29	-145 - 21
120	266 × 149	-75	-115 - -35	-174 - 25
150	332 × 187	-93	-143 - -43	-218 - 31
200	443 × 249	-125	-191 - -58	-291 - 42
250	553 × 311	-156	-239 - -72	-363 - 52
300	664 × 374	-187	-287 - -87	-436 - 63
500	1107 × 623	-311	-478 - -145	-727 - 104
800	1771 × 996	-498	-764 - -232	-1163 - 167
950	2103 × 1183	-592	-908 - -275	-1381 - 198

* Except for ELPLU03/ELPLU03S.

①	②	③	④
Inches	Width × Height	ELPLM08	
80	172 × 108	185 - 300	-76 - -23
100	215 × 135	233 - 376	-95 - -29
120	258 × 162	280 - 452	-115 - -35
150	323 × 202	352 - 566	-143 - -44

①	②	③	④
Inches	Width × Height	ELPLM08	
200	431 × 269	471 - 757	-191 - -58
250	538 × 337	589 - 947	-239 - -73
300	646 × 404	708 - 1137	-286 - -87
500	1077 × 673	1184 - 1898	-477 - -145
800	1723 × 1077	1897 - 3040	-764 - -233

①	②	③	④
Inches	Width × Height	ELPLX02S ELPLX02WS ELPLX02 ELPLX02W	
850	1727 × 1295	740	-65 - 259

4:3

①	②	③	④
Inches	Width × Height	ELPLX02S ELPLX02WS ELPLX02 ELPLX02W	
89	181 × 136	74	-7 - 27
100	203 × 152	84	-8 - 30
120	244 × 183	102	-9 - 37
150	305 × 229	128	-11 - 46
200	406 × 305	172	-15 - 61
250	508 × 381	215	-19 - 76
300	610 × 457	259	-23 - 91
400	813 × 610	346	-30 - 122
500	1016 × 762	434	-38 - 152
800	1626 × 1219	696	-61 - 244

①	②	③				
Inches	Width × Height	ELPLU03S ELPLU03	ELPLU04 ELPLU02	ELPLW05	ELPLW08	ELPLW06 ELPLW04
60	122 × 91	-	91 - 110	108 - 154	124 - 174	170 - 234
80	163 × 122	91 - 111	123 - 149	147 - 207	166 - 234	229 - 315
100	203 × 152	115 - 139	155 - 188	185 - 260	209 - 294	288 - 395
120	244 × 183	139 - 168	187 - 226	224 - 313	251 - 354	348 - 475
150	305 × 229	175 - 211	236 - 284	282 - 393	315 - 444	436 - 596
200	406 × 305	234 - 282	316 - 381	378 - 526	422 - 594	584 - 797
250	508 × 381	293 - 353	396 - 478	475 - 659	528 - 743	732 - 998
300	610 × 457	353 - 424	477 - 574	571 - 792	635 - 893	880 - 1199
500	1016 × 762	590 - 709	798 - 961	957 - 1324	1060 - 1491	1472 - 2003
800	1626 × 1219	946 - 1137	1281 - 1541	1536 - 2123	1699 - 2389	2360 - 3209

①	②	③				
Inches	Width × Height	ELPLU03S ELPLU03	ELPLU04 ELPLU02	ELPLW05	ELPLW08	ELPLW06 ELPLW04
850	1727 × 1295	1006 - 1208	1361 - 1638	1632 - 2256	1805 - 2539	2508 - 3410

①	②	③				
Inches	Width × Height	ELPLM15 ELPLM09 ELPLS04	ELPLM10 ELPLM06	ELPLM11 ELPLM07	ELPLL08 ELPLL07	ELPLR04
850	1727 × 1295	3313 - 5353	5112 - 7780	7490 - 11361	11125 - 15563	1490

①	②	③				
Inches	Width × Height	ELPLM15 ELPLM09 ELPLS04	ELPLM10 ELPLM06	ELPLM11 ELPLM07	ELPLL08 ELPLL07	ELPLR04
60	122 × 91	226 - 370	349 - 537	507 - 780	756 - 1069	99
80	163 × 122	304 - 497	469 - 720	683 - 1048	1019 - 1436	134
100	203 × 152	383 - 623	590 - 904	860 - 1316	1281 - 1803	169
120	244 × 183	461 - 749	710 - 1087	1037 - 1584	1544 - 2170	205
150	305 × 229	578 - 938	891 - 1362	1302 - 1985	1937 - 2720	257
200	406 × 305	773 - 1253	1193 - 1821	1744 - 2655	2594 - 3637	345
250	508 × 381	969 - 1569	1494 - 2279	2186 - 3325	3250 - 4555	433
300	610 × 457	1164 - 1884	1796 - 2738	2628 - 3995	3906 - 5472	521
500	1016 × 762	1945 - 3145	3002 - 4571	4396 - 6673	6531 - 9141	874
800	1626 × 1219	3117 - 5037	4810 - 7322	7048 - 10691	10469 - 14645	1402

①	②	④		
Inches	Width × Height	ELPLR04	ELPLU03S ELPLU03 ELPLW05	Except for ELPLU03S/ ELPLU03/ ELPLW05/ ELPLR04
60	122 × 91	-46	-68 - -24 *	-101 - 9
80	163 × 122	-61	-90 - -32	-134 - 12
100	203 × 152	-76	-113 - -40	-168 - 15
120	244 × 183	-91	-135 - -47	-201 - 18
150	305 × 229	-114	-169 - -59	-252 - 23
200	406 × 305	-152	-226 - -79	-335 - 31
250	508 × 381	-191	-282 - -99	-419 - 38
300	610 × 457	-229	-339 - -119	-503 - 46
500	1016 × 762	-381	-564 - -198	-839 - 77
800	1626 × 1219	-610	-903 - -316	-1342 - 123
850	1727 × 1295	-648	-959 - -336	-1426 - 130

* Except for ELPLU03/ELPLU03S.

①	②	③	④
Inches	Width × Height	ELPLM08	
80	172 × 108	204 - 331	-90 - -32
100	215 × 135	257 - 415	-113 - -40
120	258 × 162	309 - 498	-135 - -48
150	323 × 202	388 - 624	-169 - -59
200	431 × 269	519 - 834	-226 - -79
250	538 × 337	650 - 1043	-282 - -99
300	646 × 404	781 - 1253	-338 - -119
500	1077 × 673	1305 - 2091	-564 - -198
800	1723 × 1077	2090 - 3349	-902 - -317

①	②	③	④
Inches	Width × Height	ELPLX02S ELPLX02WS ELPLX02 ELPLX02W	
400	934 × 400	332	63 - 208
500	1167 × 500	415	78 - 261
600	1401 × 600	499	94 - 313
800	1868 × 800	666	125 - 417
900	2101 × 900	750	141 - 469

21:9

①	②	③	④
Inches	Width × Height	ELPLX02S ELPLX02WS ELPLX02 ELPLX02W	
98	229 × 98	79	15 - 51
100	233 × 100	80	16 - 52
120	280 × 120	97	19 - 63
150	350 × 150	122	23 - 78
200	467 × 200	164	31 - 104
300	700 × 300	248	47 - 156

①	②	③				
Inches	Width × Height	ELPLU03S ELPLU03	ELPLU04 ELPLU02	ELPLW05	ELPLW08	ELPLW06 ELPLW04
60	140 × 60	-	87 - 106	103 - 147	118 - 167	162 - 224
80	187 × 80	87 - 106	118 - 143	140 - 198	159 - 224	219 - 301
100	233 × 100	110 - 133	148 - 180	177 - 249	200 - 281	276 - 378
120	280 × 120	133 - 161	179 - 217	214 - 300	241 - 339	332 - 455
150	350 × 150	167 - 201	225 - 272	269 - 376	302 - 425	417 - 570
200	467 × 200	224 - 270	302 - 365	362 - 504	404 - 568	559 - 763
300	700 × 300	338 - 406	456 - 550	546 - 758	607 - 855	842 - 1148

①	②	③				
Inches	Width × Height	ELPLU03S ELPLU03	ELPLU04 ELPLU02	ELPLW05	ELPLW08	ELPLW06 ELPLW04
500	1167 × 500	565 - 679	764 - 920	916 - 1268	1015 - 1428	1409 - 1917
800	1868 × 800	906 - 1089	1226 - 1475	1470 - 2032	1626 - 2287	2259 - 3072
900	2101 × 900	1020 - 1225	1380 - 1660	1655 - 2287	1830 - 2574	2542 - 3457

①	②	③				
Inches	Width × Height	ELPLM15 ELPLM09 ELPLS04	ELPLM10 ELPLM06	ELPLM11 ELPLM07	ELPLL08 ELPLL07	ELPLR04
800	1868 × 800	2984 - 4823	4605 - 7010	6747 - 10235	10022 - 14021	1342
900	2101 × 900	3358 - 5427	5182 - 7888	7594 - 11518	11279 - 15777	1510

①	②	③				
Inches	Width × Height	ELPLM15 ELPLM09 ELPLS04	ELPLM10 ELPLM06	ELPLM11 ELPLM07	ELPLL08 ELPLL07	ELPLR04
60	140 × 60	216 - 354	333 - 514	484 - 746	722 - 1022	95
80	187 × 80	291 - 475	449 - 689	653 - 1002	974 - 1373	128
100	233 × 100	366 - 596	564 - 865	823 - 1259	1225 - 1725	162
120	280 × 120	441 - 717	680 - 1040	992 - 1515	1476 - 2076	196
150	350 × 150	553 - 898	853 - 1304	1246 - 1900	1853 - 2603	246
200	467 × 200	740 - 1200	1141 - 1743	1669 - 2541	2482 - 3481	330
300	700 × 300	1114 - 1804	1719 - 2620	2515 - 3824	3738 - 5238	499
500	1167 × 500	1862 - 3011	2873 - 4376	4208 - 6388	6252 - 8751	836

①	②	④		
Inches	Width × Height	ELPLR04	ELPLU03S ELPLU03 ELPLW05	Except for ELPLU03S/ ELPLU03/ ELPLW05/ ELPLR04
60	140 × 60	-30	-51 - -9 *	-83 - 23
80	187 × 80	-40	-68 - -12	-110 - 30
100	233 × 100	-50	-85 - -15	-138 - 38
120	280 × 120	-60	-102 - -18	-165 - 45
150	350 × 150	-75	-128 - -22	-206 - 56
200	467 × 200	-100	-170 - -30	-275 - 75
300	700 × 300	-150	-255 - -45	-413 - 113
500	1167 × 500	-250	-426 - -75	-688 - 188
800	1868 × 800	-400	-681 - -119	-1101 - 301
900	2101 × 900	-450	-766 - -134	-1239 - 338

* Except for ELPLU03/ELPLU03S.

①	②	③	④
Inches	Width × Height	ELPLM08	
80	172 × 108	196 - 317	-68 - -12
100	215 × 135	246 - 397	-85 - -15
120	258 × 162	296 - 477	-102 - -18
150	323 × 202	371 - 597	-128 - -23
200	431 × 269	496 - 798	-170 - -30
300	646 × 404	747 - 1199	-255 - -45
500	1077 × 673	1249 - 2002	-425 - -75
600	1401 × 600	1500 - 2403	-510 - -90
800	1723 × 1077	2001 - 3206	-680 - -120

①	②	③	④
Inches	Width × Height	ELPLX01S ELPLX01WS ELPLX01 ELPLX01W	
200	431 × 269	152	0 - 48
250	538 × 337	192	0 - 59
300	646 × 404	231	0 - 71
400	862 × 538	310	0 - 95
500	1077 × 673	388	0 - 119
800	1723 × 1077	625	0 - 190
1000	2154 × 1346	782	0 - 238

EB-PU1008B/EB-PU1008W/EB-PU1007B/EB-PU1007W/EB-PU1006W:

When you project an over 300 inches image, the image may become a little bit blurred.

16:10

①	②	③	④
Inches	Width × Height	ELPLX01S ELPLX01WS ELPLX01 ELPLX01W	
100	215 × 135	74	0 - 24
120	258 × 162	89	0 - 29
150	323 × 202	113	0 - 36

①	②	③				
Inches	Width × Height	ELPLU03S ELPLU03	ELPLU04 ELPLU02	ELPLW05	ELPLW08	ELPLW06 ELPLW04
50	108 × 67	-	91 - 111	109 - 155	124 - 175	172 - 235
60	129 × 81	-	111 - 134	132 - 187	150 - 212	207 - 284
80	172 × 108	111 - 134	149 - 181	178 - 251	202 - 284	279 - 381
100	215 × 135	140 - 168	188 - 227	225 - 315	253 - 356	350 - 478
120	258 × 162	169 - 203	227 - 274	271 - 379	305 - 429	422 - 576
150	323 × 202	212 - 255	285 - 344	341 - 475	383 - 537	529 - 722

①	②	③				
Inches	Width × Height	ELPLU03S ELPLU03	ELPLU04 ELPLU02	ELPLW05	ELPLW08	ELPLW06 ELPLW04
200	431 × 269	283 - 341	382 - 460	457 - 636	512 - 718	708 - 965
250	538 × 337	355 - 427	479 - 577	573 - 796	641 - 899	887 - 1208
300	646 × 404	427 - 513	576 - 693	690 - 956	770 - 1080	1066 - 1452
500	1077 × 673	714 - 857	964 - 1159	1154 - 1597	1287 - 1803	1781 - 2425
800	1723 × 1077	1145 - 1373	1546 - 1858	1852 - 2559	2061 - 2888	2854 - 3885
1000	2154 × 1346	1432 - 1717	1934 - 2324	2317 - 3201	2578 - 3611	3569 - 4859

①	②	③			
Inches	Width × Height	ELPLM08	ELPLM15 ELPLM09 ELPLS04	ELPLM10 ELPLM06	ELPLM11 ELPLM07
50	108 × 67	153 - 248	229 - 372	352 - 538	511 - 784
60	129 × 81	185 - 298	276 - 447	425 - 649	618 - 945
80	172 × 108	248 - 399	370 - 599	571 - 869	832 - 1268
100	215 × 135	311 - 500	465 - 751	717 - 1090	1046 - 1591
120	258 × 162	374 - 601	560 - 903	863 - 1311	1260 - 1913
150	323 × 202	469 - 753	702 - 1131	1082 - 1641	1581 - 2398
200	431 × 269	627 - 1005	938 - 1510	1447 - 2193	2116 - 3205

①	②	③			
Inches	Width × Height	ELPLM08	ELPLM15 ELPLM09 ELPLS04	ELPLM10 ELPLM06	ELPLM11 ELPLM07
250	538 × 337	785 - 1258	1175 - 1890	1812 - 2744	2651 - 4012
300	646 × 404	943 - 1510	1411 - 2269	2177 - 3296	3186 - 4819
500	1077 × 673	1576 - 2520	2357 - 3787	3637 - 5502	5326 - 8047
800	1723 × 1077	2524 - 4035	3776 - 6064	5827 - 8811	8536 - 12889
1000	2154 × 1346	3157 - 5044	4722 - 7582	7287 - 11017	10676 - 16117

①	②	③		④	
Inches	Width × Height	ELPLL08 ELPLL07	ELPLR04	ELPLR04	Except for ELPLR04
50	108 × 67	761 - 1074	100	-34	-79 - 12 *
60	129 × 81	920 - 1295	121	-40	-95 - 14 *
80	172 × 108	1237 - 1737	163	-54	-127 - 19
100	215 × 135	1555 - 2180	206	-67	-158 - 24
120	258 × 162	1872 - 2622	248	-81	-190 - 29
150	323 × 202	2348 - 3285	312	-101	-238 - 36
200	431 × 269	3141 - 4391	417	-135	-317 - 48
250	538 × 337	3935 - 5497	523	-168	-396 - 59
300	646 × 404	4728 - 6602	629	-202	-475 - 71
500	1077 × 673	7901 - 11025	1053	-337	-792 - 119

①	②	③		④	
Inches	Width × Height	ELPLL08 ELPLL07	ELPLR04	ELPLR04	Except for ELPLR04
800	1723 × 1077	12661 - 17659	1688	-538	-1267 - 190
1000	2154 × 1346	15834 - 22082	2112	-673	-1584 - 238

* Except for ELPLU03/ELPLU03S.

16:9

①	②	③	④
Inches	Width × Height	ELPLX01S ELPLX01WS ELPLX01 ELPLX01W	
100	221 × 125	76	7 - 31
120	266 × 149	92	8 - 38
150	332 × 187	116	10 - 47
200	443 × 249	157	14 - 63
250	553 × 311	197	17 - 78
300	664 × 374	238	21 - 94
400	886 × 498	318	28 - 125
500	1107 × 623	399	35 - 157
800	1771 × 996	642	55 - 251
950	2103 × 1183	763	66 - 298

①	②	③				
Inches	Width × Height	ELPLU03S ELPLU03	ELPLU04 ELPLU02	ELPLW05	ELPLW08	ELPLW06 ELPLW04
49	109 × 61	-	92 - 112	109 - 156	125 - 177	173 - 237
50	111 × 62	-	94 - 114	112 - 159	128 - 180	176 - 242
60	133 × 75	-	114 - 138	136 - 192	154 - 218	213 - 292
80	177 × 100	114 - 138	154 - 186	183 - 258	208 - 292	287 - 392
100	221 × 125	144 - 173	194 - 234	231 - 324	261 - 366	360 - 492
120	266 × 149	173 - 209	234 - 282	279 - 390	314 - 441	434 - 592
150	332 × 187	218 - 262	293 - 354	351 - 489	393 - 552	544 - 742
200	443 × 249	291 - 350	393 - 473	470 - 653	526 - 738	728 - 992
250	553 × 311	365 - 439	493 - 593	590 - 818	659 - 924	912 - 1242
300	664 × 374	439 - 527	592 - 713	709 - 983	792 - 1110	1096 - 1492
500	1107 × 623	734 - 881	991 - 1192	1187 - 1642	1323 - 1853	1831 - 2493
800	1771 × 996	1177 - 1412	1589 - 1910	1903 - 2631	2119 - 2969	2934 - 3994
950	2103 × 1183	1398 - 1677	1889 - 2269	2262 - 3125	2517 - 3526	3485 - 4744

①	②	③			
Inches	Width × Height	ELPLM08	ELPLM15 ELPLM09 ELPLS04	ELPLM10 ELPLM06	ELPLM11 ELPLM07
49	109 × 61	154 - 250	230 - 374	355 - 542	515 - 789
50	111 × 62	157 - 255	235 - 382	362 - 554	526 - 806
60	133 × 75	190 - 307	284 - 460	437 - 667	636 - 972
80	177 × 100	255 - 411	381 - 616	587 - 894	856 - 1304
100	221 × 125	320 - 514	478 - 772	737 - 1121	1076 - 1635
120	266 × 149	385 - 618	575 - 928	887 - 1347	1296 - 1967
150	332 × 187	482 - 774	721 - 1162	1112 - 1687	1626 - 2465
200	443 × 249	645 - 1033	964 - 1552	1488 - 2254	2176 - 3294
250	553 × 311	807 - 1293	1207 - 1942	1863 - 2821	2726 - 4124
300	664 × 374	970 - 1552	1450 - 2332	2238 - 3388	3276 - 4953
500	1107 × 623	1620 - 2590	2423 - 3893	3738 - 5655	5475 - 8271
800	1771 × 996	2595 - 4147	3881 - 6233	5989 - 9056	8774 - 13248
950	2103 × 1183	3082 - 4925	4610 - 7403	7115 - 10757	10424 - 15736

①	②	③		④	
Inches	Width × Height	ELPLL08 ELPLL07	ELPLR04	ELPLR04	Except for ELPLR04
49	109 × 61	767 - 1082	101	-31	-76 - 15 *
50	111 × 62	784 - 1105	103	-31	-78 - 16 *
60	133 × 75	947 - 1332	124	-37	-94 - 19 *

①	②	③		④	
Inches	Width × Height	ELPLL08 ELPLL07	ELPLR04	ELPLR04	Except for ELPLR04
80	177 × 100	1273 - 1787	168	-50	-125 - 25
100	221 × 125	1599 - 2241	212	-62	-156 - 31
120	266 × 149	1925 - 2696	255	-75	-187 - 38
150	332 × 187	2414 - 3378	320	-93	-234 - 47
200	443 × 249	3230 - 4514	429	-125	-312 - 63
250	553 × 311	4045 - 5650	538	-156	-390 - 78
300	664 × 374	4860 - 6787	647	-187	-468 - 94
500	1107 × 623	8122 - 11333	1082	-311	-779 - 157
800	1771 × 996	13014 - 18151	1735	-498	-1247 - 251
950	2103 × 1183	15460 - 21560	2062	-592	-1481 - 298

* Except for ELPLU03/ELPLU03S.

4:3

①	②	③	④
Inches	Width × Height	ELPLX01S ELPLX01WS ELPLX01 ELPLX01W	
90	183 × 137	75	0 - 24
100	203 × 152	84	0 - 27

①	②	③	④
Inches	Width × Height	ELPLX01S ELPLX01WS ELPLX01 ELPLX01W	
120	244 × 183	102	0 - 32
150	305 × 229	129	0 - 40
200	406 × 305	173	0 - 54
250	508 × 381	218	0 - 67
300	610 × 457	262	0 - 81
400	813 × 610	351	0 - 108
500	1016 × 762	440	0 - 134
800	1626 × 1219	708	0 - 215
850	1727 × 1295	752	0 - 229

①	②	③				
Inches	Width × Height	ELPLU03S ELPLU03	ELPLU04 ELPLU02	ELPLW05	ELPLW08	ELPLW06 ELPLW04
45	91 × 69	-	93 - 113	111 - 158	127 - 179	175 - 240
50	102 × 76	-	104 - 126	124 - 176	141 - 199	195 - 267
60	122 × 91	-	126 - 153	150 - 212	171 - 240	236 - 322
80	163 × 122	126 - 152	170 - 205	203 - 285	229 - 322	317 - 432
100	203 × 152	159 - 191	214 - 258	255 - 357	288 - 404	398 - 543

①	②	③				
Inches	Width × Height	ELPLU03S ELPLU03	ELPLU04 ELPLU02	ELPLW05	ELPLW08	ELPLW06 ELPLW04
120	244 × 183	191 - 230	258 - 311	308 - 430	346 - 486	479 - 653
150	305 × 229	240 - 289	324 - 390	387 - 539	434 - 609	600 - 818
200	406 × 305	321 - 386	434 - 522	519 - 720	580 - 813	803 - 1094
250	508 × 381	403 - 483	543 - 654	650 - 902	726 - 1018	1005 - 1369
300	610 × 457	484 - 581	653 - 786	782 - 1083	872 - 1223	1207 - 1645
500	1016 × 762	809 - 971	1092 - 1313	1308 - 1809	1457 - 2042	2017 - 2747
800	1626 × 1219	1297 - 1555	1751 - 2105	2097 - 2898	2334 - 3270	3232 - 4400
850	1727 × 1295	1378 - 1653	1861 - 2236	2229 - 3080	2481 - 3475	3434 - 4675

①	②	③			
Inches	Width × Height	ELPLM08	ELPLM15 ELPLM09 ELPLS04	ELPLM10 ELPLM06	ELPLM11 ELPLM07
45	91 × 69	156 - 253	233 - 379	359 - 549	521 - 799
50	102 × 76	174 - 281	260 - 422	400 - 611	582 - 890
60	122 × 91	210 - 338	313 - 508	483 - 736	703 - 1073
80	163 × 122	281 - 453	420 - 679	648 - 986	945 - 1438

①	②	③			
Inches	Width × Height	ELPLM08	ELPLM15 ELPLM09 ELPLS04	ELPLM10 ELPLM06	ELPLM11 ELPLM07
100	203 × 152	353 - 567	527 - 851	813 - 1236	1188 - 1804
120	244 × 183	424 - 681	635 - 1023	979 - 1485	1430 - 2169
150	305 × 229	532 - 853	795 - 1281	1227 - 1860	1793 - 2717
200	406 × 305	711 - 1139	1063 - 1711	1640 - 2484	2399 - 3631
250	508 × 381	890 - 1424	1331 - 2140	2053 - 3109	3005 - 4544
300	610 × 457	1069 - 1710	1598 - 2570	2466 - 3733	3610 - 5458
500	1016 × 762	1785 - 2853	2669 - 4288	4119 - 6230	6033 - 9112
800	1626 × 1219	2858 - 4568	4276 - 6866	6598 - 9976	9667 - 14594
850	1727 × 1295	3037 - 4854	4544 - 7296	7012 - 10601	10273 - 15508

①	②	③		④	
Inches	Width × Height	ELPLL08 ELPLL07	ELPLR04	ELPLR04	Except for ELPLR04
45	91 × 69	776 - 1095	102	-34	-81 - 12 *
50	102 × 76	866 - 1220	114	-38	-90 - 13 *
60	122 × 91	1046 - 1470	138	-46	-108 - 16 *
80	163 × 122	1405 - 1971	186	-61	-143 - 22
100	203 × 152	1764 - 2472	234	-76	-179 - 27
120	244 × 183	2124 - 2972	282	-91	-215 - 32
150	305 × 229	2662 - 3724	354	-114	-269 - 40

①	②	③		④	
Inches	Width × Height	ELPLL08 ELPLL07	ELPLR04	ELPLR04	Except for ELPLR04
200	406 × 305	3561 - 4975	473	-152	-359 - 54
250	508 × 381	4459 - 6227	593	-191	-448 - 67
300	610 × 457	5357 - 7479	713	-229	-538 - 81
500	1016 × 762	8949 - 12485	1193	-381	-896 - 134
800	1626 × 1219	14338 - 19996	1912	-610	-1434 - 215
850	1727 × 1295	15236 - 21247	2032	-648	-1524 - 229

* Except for ELPLU03/ELPLU03S.

21:9

①	②	③	④
Inches	Width × Height	ELPLX01S ELPLX01WS ELPLX01 ELPLX01W	
100	233 × 100	80	23 - 49
120	280 × 120	97	28 - 58
150	350 × 150	123	34 - 73
200	467 × 200	165	46 - 97
300	700 × 300	251	69 - 146
400	934 × 400	336	92 - 195

①	②	③	④
Inches	Width × Height	ELPLX01S ELPLX01WS ELPLX01 ELPLX01W	
500	1167 × 500	421	115 - 243
600	1401 × 600	507	138 - 292
800	1868 × 800	677	183 - 389
900	2101 × 900	763	206 - 438

①	②	③				
Inches	Width × Height	ELPLU03S ELPLU03	ELPLU04 ELPLU02	ELPLW05	ELPLW08	ELPLW06 ELPLW04
800	1868 × 800	1241 - 1489	1676 - 2015	2008 - 2775	2235 - 3131	3094 - 4212
900	2101 × 900	1397 - 1675	1887 - 2267	2260 - 3122	2515 - 3523	3482 - 4739

①	②	③				
Inches	Width × Height	ELPLU03S ELPLU03	ELPLU04 ELPLU02	ELPLW05	ELPLW08	ELPLW06 ELPLW04
50	117 × 50	-	99 - 121	118 - 168	135 - 191	187 - 255
80	187 × 80	121 - 146	163 - 196	194 - 272	219 - 308	303 - 414
100	233 × 100	152 - 183	205 - 247	244 - 342	275 - 387	380 - 519
120	280 × 120	183 - 220	247 - 297	295 - 411	331 - 465	458 - 625
150	350 × 150	230 - 276	310 - 373	370 - 516	415 - 583	574 - 783
200	467 × 200	308 - 369	415 - 499	496 - 689	555 - 779	768 - 1047
300	700 × 300	463 - 556	625 - 752	748 - 1037	835 - 1171	1156 - 1574
500	1167 × 500	774 - 929	1046 - 1257	1252 - 1732	1395 - 1955	1931 - 2629

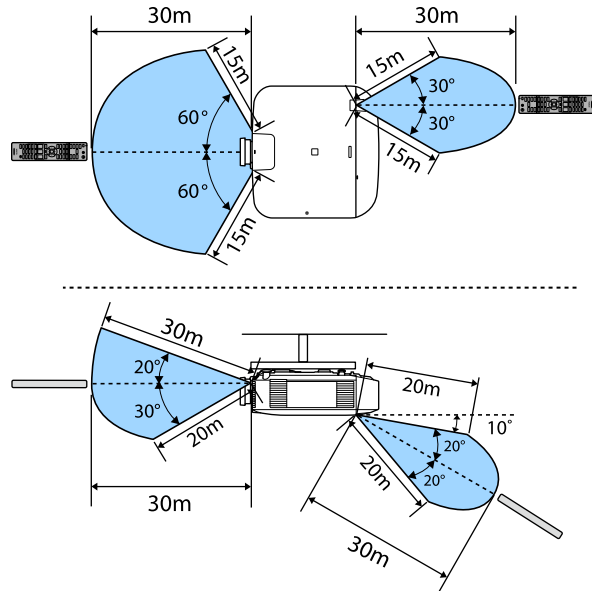
①	②	③			
Inches	Width × Height	ELPLM08	ELPLM15 ELPLM09 ELPLS04	ELPLM10 ELPLM06	ELPLM11 ELPLM07
50	117 × 50	166 - 269	248 - 403	383 - 585	556 - 851
80	187 × 80	269 - 433	402 - 650	620 - 943	904 - 1376
100	233 × 100	338 - 543	505 - 815	778 - 1183	1136 - 1726
120	280 × 120	406 - 652	607 - 979	936 - 1422	1368 - 2076
150	350 × 150	509 - 816	761 - 1226	1174 - 1780	1716 - 2601
200	467 × 200	680 - 1090	1017 - 1637	1569 - 2378	2296 - 3475
300	700 × 300	1023 - 1637	1530 - 2460	2361 - 3574	3456 - 5225
500	1167 × 500	1708 - 2732	2555 - 4105	3943 - 5965	5775 - 8724
800	1868 × 800	2736 - 4374	4093 - 6574	6317 - 9551	9255 - 13972
900	2101 × 900	3079 - 4921	4606 - 7396	7108 - 10747	10414 - 15721

①	②	③		④	
Inches	Width × Height	ELPLL08 ELPLL07	ELPLR04	ELPLR04	Except for ELPLR04
50	117 × 50	828 - 1167	109	-25	-74 - 24 *
80	187 × 80	1344 - 1886	178	-40	-119 - 39
100	233 × 100	1688 - 2365	223	-50	-149 - 49
120	280 × 120	2032 - 2845	269	-60	-178 - 58
150	350 × 150	2548 - 3564	338	-75	-223 - 73
200	467 × 200	3408 - 4762	453	-100	-297 - 97
300	700 × 300	5127 - 7159	683	-150	-446 - 146
500	1167 × 500	8567 - 11953	1142	-250	-744 - 243
800	1868 × 800	13726 - 19143	1830	-400	-1190 - 389
900	2101 × 900	15446 - 21540	2060	-450	-1339 - 438

* Except for ELPLU03/ELPLU03S.

The remote control lets you control the projector from almost anywhere in the room.

Make sure that you aim the remote control at the projector's receivers within the distance and angles listed here.



- Depending on your installation environment, the available distance and angles may be shortened.
- Avoid using the remote control in conditions with bright fluorescent lights or in direct sunlight, or the projector may not respond to commands. If you are not going to use the remote control for a long time, remove the batteries.
- When you use multiple projectors in the same room or when there are obstacles around the remote receiver, connect the remote control to the projector using the optional remote control cable set. When the remote control is connected, the remote receiver on the projector is disabled.

The table here lists the adjustment range for each correction method.

► **Related Links**

- "H/V-Keystone" [p.57](#)
- "Curved Surface" [p.58](#)
- "Corner Wall" [p.64](#)

H/V-Keystone

If the projector's angle of tilt is within the following range, you can correct distortion in the projected image by using the H/V-Keystone correction function.

EB-PU2010B/EB-PU2010W:

Lens Model Number	Vertical Direction	Horizontal Direction
ELPLX02 ELPLX02S ELPLX02W ELPLX02WS	-16°~ 16°	-16°~ 16°
ELPLR04 ELPLU02 ELPLU04	-31°~ 31°	-30°~ 30°
ELPLU03 ELPLU03S	-28°~ 28°	-28°~ 28°
ELPLW04 ELPLW05 ELPLW06	-41°~ 41°	-30°~ 30°
ELPLW08	-35°~ 35°	-30°~ 30°

Lens Model Number	Vertical Direction	Horizontal Direction
ELPLL07 ELPLL08 ELPLM06 ELPLM07 ELPLM08 ELPLM10 ELPLM11	-45°~ 45°	-30°~ 30°
ELPLM09 ELPLM15 ELPLS04	-44°~ 44°	-30°~ 30°

EB-PU1008B/EB-PU1008W/EB-PU1007B/EB-PU1007W/EB-PU1006W:

Lens Model Number	Vertical Direction	Horizontal Direction
ELPLX01 ELPLX01S ELPLX01W ELPLX01WS	-16°~ 16°	-16°~ 16°
ELPLU02 ELPLU04	-35°~ 35°	-30°~ 30°
ELPLU03 ELPLU03S	-28°~ 28°	-28°~ 28°
ELPLW05 ELPLW08	-40°~ 40°	-30°~ 30°

Lens Model Number	Vertical Direction	Horizontal Direction
ELPLL07	-45°~ 45°	-30°~ 30°
ELPLL08		
ELPLM06		
ELPLM07		
ELPLM08		
ELPLM09		
ELPLM10		
ELPLM11		
ELPLM15		
ELPLS04		
ELPLW04		
ELPLW06		
ELPLR04		

Curved Surface

You can correct the image shape if the curved surface is a part of an exact circle.

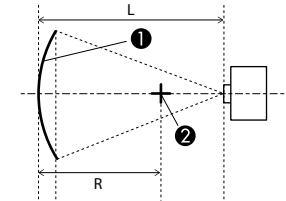
The values in the table are the minimum values for R/L in the illustration. (Approximate value when projecting at maximum zoom.) If the R/L value is lower than the value in the table, you cannot correct the image shape.

You can confirm the maximum projection distance (L) using the following formula.

$$L = R/\text{value in the table}$$

EB-PU2010B/EB-PU2010W:

Horizontally curved surface(concave)



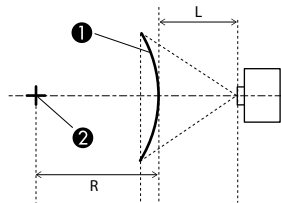
- ① Screen
- ② Center of the circle of which the curved surface is an arc
- L Projection distance
- R Radius of the circle of which the curved surface is an arc

Lens Model Number	Vertical Lens Shift: Home Position	Vertical lens shift: Top
ELPLX02 ELPLX02S ELPLX02W ELPLX02WS	-	2.84
ELPLU02 ELPLU04	0.45	0.53
ELPLU03 ELPLU03S	0.40	0.40
ELPLW04 ELPLW06	0.33	0.34
ELPLW05	0.41	0.41
ELPLW08	0.39	0.40

Lens Model Number	Vertical Lens Shift: Home Position	Vertical lens shift: Top
ELPLM06 ELPLM10	0.19	0.20
ELPLM07 ELPLM11	0.14	0.14
ELPLM08	0.35	0.35
ELPLM09 ELPLM15 ELPLS04	0.27	0.28
ELPLL07 ELPLL08	0.10	0.10
ELPLR04	0.43	-

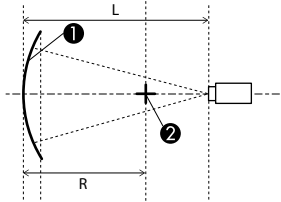
Lens Model Number	Vertical Lens Shift: Home Position	Vertical lens shift: Top
ELPLX02 ELPLX02S ELPLX02W ELPLX02WS	-	8.20
ELPLU02 ELPLU04	2.22	2.35
ELPLU03 ELPLU03S	3.52	3.52
ELPLW04 ELPLW06	0.79	0.82
ELPLW05	1.63	1.64
ELPLW08	1.32	1.39
ELPLM06 ELPLM10	0.29	0.30
ELPLM07 ELPLM11	0.18	0.19
ELPLM08	0.94	0.95
ELPLM09 ELPLM15 ELPLS04	0.52	0.54
ELPLL07 ELPLL08	0.12	0.12
ELPLR04	1.89	-

Horizontally curved surface(convex)



- ① Screen
- ② Center of the circle of which the curved surface is an arc
- L Projection distance
- R Radius of the circle of which the curved surface is an arc

Vertically curved surface(concave)

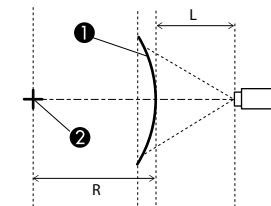


- ① Screen
- ② Center of the circle of which the curved surface is an arc
- L Projection distance
- R Radius of the circle of which the curved surface is an arc

Lens Model Number	Vertical Lens Shift: Home Position	Vertical lens shift: Top
ELPLX02 ELPLX02S ELPLX02W ELPLX02WS	-	2.09
ELPLU02 ELPLU04	0.37	0.63
ELPLU03 ELPLU03S	0.31	0.32
ELPLW04 ELPLW06	0.24	0.29
ELPLW05	0.33	0.35
ELPLW08	0.31	0.42
ELPLM06 ELPLM10	0.13	0.15

Lens Model Number	Vertical Lens Shift: Home Position	Vertical lens shift: Top
ELPLM07 ELPLM11	0.10	0.11
ELPLM08	0.27	0.28
ELPLM09 ELPLM15 ELPLS04	0.19	0.22
ELPLL07 ELPLL08	0.08	0.08
ELPLR04	0.35	-

Vertically curved surface(convex)

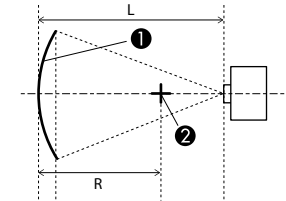


- ① Screen
- ② Center of the circle of which the curved surface is an arc
- L Projection distance
- R Radius of the circle of which the curved surface is an arc

Lens Model Number	Vertical Lens Shift: Home Position	Vertical lens shift: Top
ELPLX02 ELPLX02S ELPLX02W ELPLX02WS	-	4.22
ELPLU02 ELPLU04	1.10	1.29
ELPLU03 ELPLU03S	0.87	0.92
ELPLW04 ELPLW06	0.41	0.48
ELPLW05	0.82	0.85
ELPLW08	0.68	0.80
ELPLM06 ELPLM10	0.16	0.19
ELPLM07 ELPLM11	0.11	0.12
ELPLM08	0.49	0.51
ELPLM09 ELPLM15 ELPLS04	0.28	0.33
ELPLL07 ELPLL08	0.08	0.08
ELPLR04	0.94	-

EB-PU1008B/EB-PU1008W/EB-PU1007B/EB-PU1007W/EB-PU1006W:

Horizontally curved surface(concave)



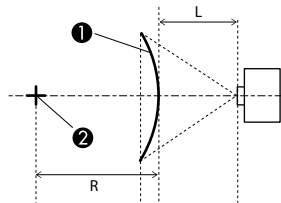
- ① Screen
- ② Center of the circle of which the curved surface is an arc
- L Projection distance
- R Radius of the circle of which the curved surface is an arc

Lens Model Number	Vertical Lens Shift: Home Position	Vertical lens shift: Top
ELPLX01 ELPLX01S ELPLX01W ELPLX01WS	-	2.74
ELPLU02 ELPLU04	0.39	0.40
ELPLU03 ELPLU03S	0.45	0.56
ELPLW04 ELPLW06	0.26	0.27
ELPLW05	0.35	0.37
ELPLW08	0.33	0.34

Lens Model Number	Vertical Lens Shift: Home Position	Vertical lens shift: Top
ELPLM06 ELPLM10	0.15	0.15
ELPLM07 ELPLM11	0.11	0.11
ELPLM08	0.29	0.30
ELPLM09 ELPLM15 ELPLS04	0.21	0.22
ELPLL07 ELPLL08	0.08	0.08
ELPLR04	0.37	-

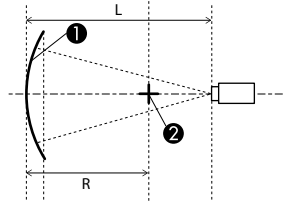
Lens Model Number	Vertical Lens Shift: Home Position	Vertical lens shift: Top
ELPLX01 ELPLX01S ELPLX01W ELPLX01WS	-	8.45
ELPLU02 ELPLU04	1.27	1.37
ELPLU03 ELPLU03S	2.13	2.31
ELPLW04 ELPLW06	0.49	0.52
ELPLW05	0.95	1.01
ELPLW08	0.79	0.84
ELPLM06 ELPLM10	0.20	0.20
ELPLM07 ELPLM11	0.13	0.13
ELPLM08	0.58	0.62
ELPLM09 ELPLM15 ELPLS04	0.33	0.35
ELPLL07 ELPLL08	0.09	0.09
ELPLR04	1.10	-

Horizontally curved surface(convex)



- ① Screen
- ② Center of the circle of which the curved surface is an arc
- L Projection distance
- R Radius of the circle of which the curved surface is an arc

Vertically curved surface(concave)

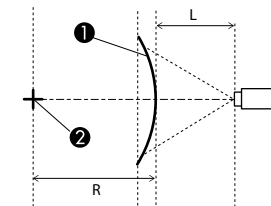


- ① Screen
- ② Center of the circle of which the curved surface is an arc
- L Projection distance
- R Radius of the circle of which the curved surface is an arc

Lens Model Number	Vertical Lens Shift: Home Position	Vertical lens shift: Top
ELPLX01 ELPLX01S ELPLX01W ELPLX01WS	-	1.98
ELPLU02 ELPLU04	0.31	0.43
ELPLU03 ELPLU03S	0.37	0.67
ELPLW04 ELPLW06	0.19	0.22
ELPLW05	0.27	0.35
ELPLW08	0.25	0.31
ELPLM06 ELPLM10	0.11	0.11

Lens Model Number	Vertical Lens Shift: Home Position	Vertical lens shift: Top
ELPLM07 ELPLM11	0.08	0.08
ELPLM08	0.21	0.25
ELPLM09 ELPLM15 ELPLS04	0.15	0.17
ELPLL07 ELPLL08	0.06	0.06
ELPLR04	0.29	-

Vertically curved surface(convex)



- ① Screen
- ② Center of the circle of which the curved surface is an arc
- L Projection distance
- R Radius of the circle of which the curved surface is an arc

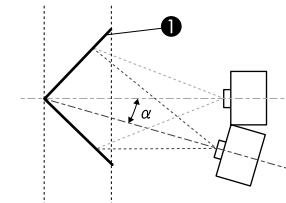
Lens Model Number	Vertical Lens Shift: Home Position	Vertical lens shift: Top
ELPLX01 ELPLX01S ELPLX01W ELPLX01WS	-	4.16
ELPLU02 ELPLU04	0.65	0.79
ELPLU03 ELPLU03S	1.07	1.29
ELPLW04 ELPLW06	0.26	0.32
ELPLW05	0.49	0.59
ELPLW08	0.42	0.50
ELPLM06 ELPLM10	0.12	0.13
ELPLM07 ELPLM11	0.08	0.09
ELPLM08	0.31	0.37
ELPLM09 ELPLM15 ELPLS04	0.18	0.22
ELPLL07 ELPLL08	0.06	0.06
ELPLR04	0.57	-

Corner Wall

The α in the illustration is the maximum angle in which the projector can move. See the table below for detailed values. (Approximate value when projecting at maximum zoom.)

EB-PU2010B/EB-PU2010W:

Concave horizontal corner correction (correction to bilateral symmetry by using corners as the center line)



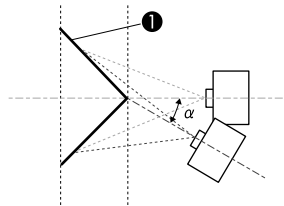
- ① Screen
- α Movable angle of the projector

Lens Model Number	Vertical Lens Shift: Home Position	Vertical lens shift: Top
ELPLX02 ELPLX02S ELPLX02W ELPLX02WS	-	-
ELPLU02 ELPLU04	29°	11°
ELPLU03 ELPLU03S	30°	23°

Lens Model Number	Vertical Lens Shift: Home Position	Vertical lens shift: Top
ELPLW04 ELPLW06	32°	21°
ELPLW05	30°	24°
ELPLW08	31°	16°
ELPLM06 ELPLM10	30°	30°
ELPLM07 ELPLM11	29°	29°
ELPLM08	33°	28°
ELPLM09 ELPLM15 ELPLS04	31°	25°
ELPLL07 ELPLL08	29°	28°
ELPLR04	30°	-

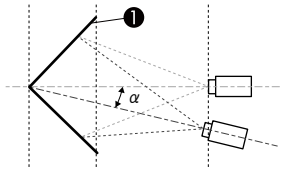
Lens Model Number	Vertical Lens Shift: Home Position	Vertical lens shift: Top
ELPLX02 ELPLX02S ELPLX02W ELPLX02WS	-	-
ELPLU02 ELPLU04	0°	-
ELPLU03 ELPLU03S	1°	1°
ELPLW04 ELPLW06	11°	11°
ELPLW05	3°	3°
ELPLW08	5°	5°
ELPLM06 ELPLM10	19°	19°
ELPLM07 ELPLM11	22°	21°
ELPLM08	10°	10°
ELPLM09 ELPLM15 ELPLS04	15°	15°
ELPLL07 ELPLL08	23°	23°
ELPLR04	1°	-

Convex horizontal corner correction (correction to bilateral symmetry by using corners as the centerline)



- ① Screen
- α Movable angle of the projector

Concave vertical corner correction (correction to horizontal symmetry by using corners as the centerline)

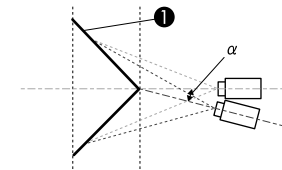


- ① Screen
- α Movable angle of the projector

Lens Model Number	Vertical Lens Shift: Home Position	Vertical lens shift: Top
ELPLX02 ELPLX02S ELPLX02W ELPLX02WS	-	-
ELPLU02 ELPLU04	33°	2°
ELPLU03 ELPLU03S	32°	20°
ELPLW04 ELPLW06	31°	13°
ELPLW05	32°	21°
ELPLW08	32°	9°
ELPLM06 ELPLM10	25°	16°
ELPLM07 ELPLM11	24°	17°

Lens Model Number	Vertical Lens Shift: Home Position	Vertical lens shift: Top
ELPLM08	31°	23°
ELPLM09 ELPLM15 ELPLS04	29°	14°
ELPLL07 ELPLL08	23°	19°
ELPLR04	32°	-

Convex vertical corner correction (correction to horizontal symmetry by using corners as the centerline)



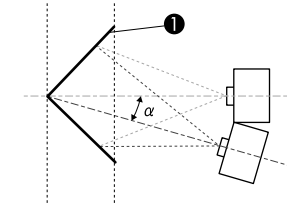
- ① Screen
- α Movable angle of the projector

Lens Model Number	Vertical Lens Shift: Home Position	Vertical lens shift: Top
ELPLX02 ELPLX02S ELPLX02W ELPLX02WS	-	-
ELPLU02 ELPLU04	9°	-

Lens Model Number	Vertical Lens Shift: Home Position	Vertical lens shift: Top
ELPLU03 ELPLU03S	11°	2°
ELPLW04 ELPLW06	17°	3°
ELPLW05	12°	3°
ELPLW08	14°	-
ELPLM06 ELPLM10	22°	13°
ELPLM07 ELPLM11	22°	16°
ELPLM08	17°	10°
ELPLM09 ELPLM15 ELPLS04	20°	8°
ELPLL07 ELPLL08	22°	17°
ELPLR04	11°	-

EB-PU1008B/EB-PU1008W/EB-PU1007B/EB-PU1007W/EB-PU1006W:

Concave horizontal corner correction (correction to bilateral symmetry by using corners as the center line)



① Screen

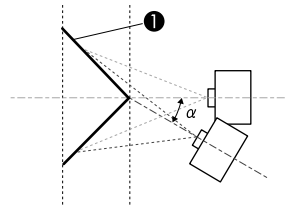
α Movable angle of the projector

Lens Model Number	Vertical Lens Shift: Home Position	Vertical lens shift: Top
ELPLX01 ELPLX01S ELPLX01W ELPLX01WS	-	-
ELPLU02 ELPLU04	32°	15°
ELPLU03 ELPLU03S	29°	9°
ELPLW04 ELPLW06	32°	25°
ELPLW05	33°	18°
ELPLW08	33°	20°
ELPLM06 ELPLM10	30°	29°

Lens Model Number	Vertical Lens Shift: Home Position	Vertical lens shift: Top
ELPLM07 ELPLM11	29°	29°
ELPLM08	32°	23°
ELPLM09 ELPLM15 ELPLS04	31°	29°
ELPLL07 ELPLL08	29°	29°
ELPLR04	33°	-

Lens Model Number	Vertical Lens Shift: Home Position	Vertical lens shift: Top
ELPLU02 ELPLU04	6°	4°
ELPLU03 ELPLU03S	0°	-
ELPLW04 ELPLW06	16°	15°
ELPLW05	10°	9°
ELPLW08	12°	11°
ELPLM06 ELPLM10	22°	22°
ELPLM07 ELPLM11	24°	23°
ELPLM08	15°	14°
ELPLM09 ELPLM15 ELPLS04	19°	18°
ELPLL07 ELPLL08	25°	25°
ELPLR04	8°	-

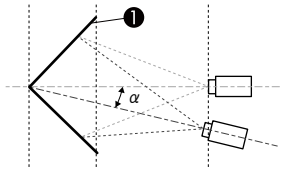
Convex horizontal corner correction (correction to bilateral symmetry by using corners as the centerline)



- ① Screen
- α Movable angle of the projector

Lens Model Number	Vertical Lens Shift: Home Position	Vertical lens shift: Top
ELPLX01 ELPLX01S ELPLX01W ELPLX01WS	-	-

Concave vertical corner correction (correction to horizontal symmetry by using corners as the centerline)

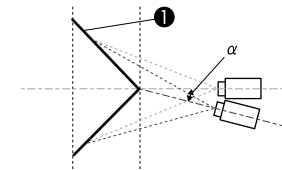


- 1 Screen
- α Movable angle of the projector

Lens Model Number	Vertical Lens Shift: Home Position	Vertical lens shift: Top
ELPLX01 ELPLX01S ELPLX01W ELPLX01WS	-	-
ELPLU02 ELPLU04	32°	7°
ELPLU03 ELPLU03S	33°	-
ELPLW04 ELPLW06	29°	13°
ELPLW05	31°	10°
ELPLW08	31°	12°
ELPLM06 ELPLM10	24°	17°
ELPLM07 ELPLM11	24°	18°

Lens Model Number	Vertical Lens Shift: Home Position	Vertical lens shift: Top
ELPLM08	30°	13°
ELPLM09 ELPLM15 ELPLS04	26°	15°
ELPLL07 ELPLL08	23°	20°
ELPLR04	32°	-

Convex vertical corner correction (correction to horizontal symmetry by using corners as the centerline)



- 1 Screen
- α Movable angle of the projector

Lens Model Number	Vertical Lens Shift: Home Position	Vertical lens shift: Top
ELPLX01 ELPLX01S ELPLX01W ELPLX01WS	-	-
ELPLU02 ELPLU04	14°	-

Lens Model Number	Vertical Lens Shift: Home Position	Vertical lens shift: Top
ELPLU03 ELPLU03S	10°	-
ELPLW04 ELPLW06	21°	8°
ELPLW05	17°	-
ELPLW08	18°	2°
ELPLM06 ELPLM10	22°	15°
ELPLM07 ELPLM11	22°	17°
ELPLM08	20°	6°
ELPLM09 ELPLM15 ELPLS04	22°	12°
ELPLL07 ELPLL08	22°	19°
ELPLR04	16°	-

You can correct the image shape if the curved surface is a part of an exact circle.

The values in the table are the minimum values for R/L shown in the illustration. They are determined in the following conditions:

- Projecting at maximum zoom
- R is 280 cm or more
- Projecting a 150 inch image per one projector

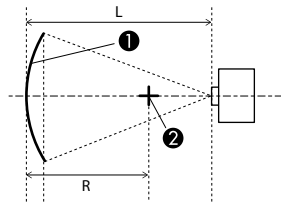
You may not be able to correct the image shape if the value is lower than the R/L value in the table.

You can confirm the maximum projection distance (L) using the following formula.

$$L = R/\text{value in the table}$$

EB-PU2010B/EB-PU2010W:

Horizontally curved surface(concave)



① Screen

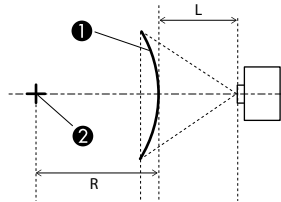
② Center of the circle of which the curved surface is an arc

L Projection distance

R Radius of the circle of which the curved surface is an arc

Lens Model Number	Vertical Lens Shift: Home Position	Vertical lens shift: Top
ELPLX02 ELPLX02S ELPLX02W ELPLX02WS	-	2.84
ELPLU02 ELPLU04	1.35	1.35
ELPLU03 ELPLU03S	1.81	1.81
ELPLW04 ELPLW06	0.73	0.73
ELPLW05	1.13	1.13
ELPLW08	1.01	1.01
ELPLM06 ELPLM10	0.36	0.36
ELPLM07 ELPLM11	0.24	0.24
ELPLM08	0.82	0.82
ELPLM09 ELPLM15 ELPLS04	0.55	0.55
ELPLL07	not supported	not supported
ELPLL08	not supported	not supported
ELPLR04	not supported	not supported

Horizontally curved surface(convex)

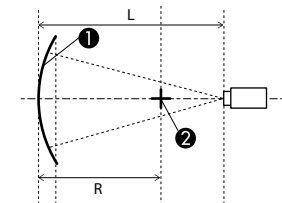


- ① Screen
- ② Center of the circle of which the curved surface is an arc
- L Projection distance
- R Radius of the circle of which the curved surface is an arc

Lens Model Number	Vertical Lens Shift: Home Position	Vertical lens shift: Top
ELPLX02 ELPLX02S ELPLX02W ELPLX02WS	-	8.20
ELPLU02 ELPLU04	2.22	2.35
ELPLU03 ELPLU03S	3.52	3.52
ELPLW04 ELPLW06	0.79	0.82
ELPLW05	1.63	1.64
ELPLW08	1.32	1.39
ELPLM06 ELPLM10	0.36	0.36

Lens Model Number	Vertical Lens Shift: Home Position	Vertical lens shift: Top
ELPLM07 ELPLM11	0.24	0.24
ELPLM08	0.94	0.95
ELPLM09 ELPLM15 ELPLS04	0.55	0.55
ELPLL07	not supported	not supported
ELPLL08	not supported	not supported
ELPLR04	not supported	not supported

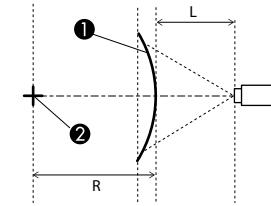
Vertically curved surface(concave)



- ① Screen
- ② Center of the circle of which the curved surface is an arc
- L Projection distance
- R Radius of the circle of which the curved surface is an arc

Lens Model Number	Vertical Lens Shift: Home Position	Vertical lens shift: Top
ELPLX02 ELPLX02S ELPLX02W ELPLX02WS	-	2.48
ELPLU02 ELPLU04	1.35	1.35
ELPLU03 ELPLU03S	1.81	1.81
ELPLW04 ELPLW06	0.73	0.73
ELPLW05	1.13	1.13
ELPLW08	1.01	1.01
ELPLM06 ELPLM10	0.36	0.36
ELPLM07 ELPLM11	0.24	0.24
ELPLM08	0.82	0.82
ELPLM09 ELPLM15 ELPLS04	0.55	0.55
ELPLL07	not supported	not supported
ELPLL08	not supported	not supported
ELPLR04	not supported	not supported

Vertically curved surface(convex)



- ① Screen
- ② Center of the circle of which the curved surface is an arc
- L Projection distance
- R Radius of the circle of which the curved surface is an arc

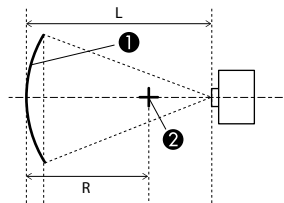
Lens Model Number	Vertical Lens Shift: Home Position	Vertical lens shift: Top
ELPLX02 ELPLX02S ELPLX02W ELPLX02WS	-	4.22
ELPLU02 ELPLU04	1.35	1.35
ELPLU03 ELPLU03S	1.81	1.81
ELPLW04 ELPLW06	0.73	0.73
ELPLW05	1.13	1.13
ELPLW08	1.01	1.01
ELPLM06 ELPLM10	0.36	0.36

Lens Model Number	Vertical Lens Shift: Home Position	Vertical lens shift: Top
ELPLM07 ELPLM11	0.24	0.24
ELPLM08	0.82	0.82
ELPLM09 ELPLM15 ELPLS04	0.55	0.55
ELPLL07	not supported	not supported
ELPLL08	not supported	not supported
ELPLR04	not supported	not supported

Lens Model Number	Vertical Lens Shift: Home Position	Vertical lens shift: Top
ELPLX01 ELPLX01S ELPLX01W ELPLX01WS	-	2.74
ELPLU02 ELPLU04	1.00	1.00
ELPLU03 ELPLU03S	1.33	1.33
ELPLW04 ELPLW06	0.53	0.53
ELPLW05	0.83	0.83
ELPLW08	0.73	0.73
ELPLM06 ELPLM10	0.26	0.26
ELPLM07 ELPLM11	0.18	0.18
ELPLM08	0.60	0.60
ELPLM09 ELPLM15 ELPLS04	0.40	0.40
ELPLL07	not supported	not supported
ELPLL08	not supported	not supported
ELPLR04	not supported	not supported

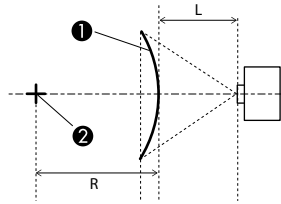
EB-PU1008B/EB-PU1008W/EB-PU1007B/EB-PU1007W/EB-PU1006W:

Horizontally curved surface(concave)



- ① Screen
- ② Center of the circle of which the curved surface is an arc
- L Projection distance
- R Radius of the circle of which the curved surface is an arc

Horizontally curved surface(convex)

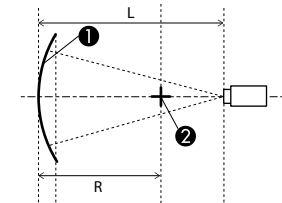


- ① Screen
- ② Center of the circle of which the curved surface is an arc
- L Projection distance
- R Radius of the circle of which the curved surface is an arc

Lens Model Number	Vertical Lens Shift: Home Position	Vertical lens shift: Top
ELPLX01 ELPLX01S ELPLX01W ELPLX01WS	-	8.45
ELPLU02 ELPLU04	1.27	1.37
ELPLU03 ELPLU03S	2.13	2.31
ELPLW04 ELPLW06	0.53	0.53
ELPLW05	0.95	1.01
ELPLW08	0.79	0.84
ELPLM06 ELPLM10	0.26	0.26

Lens Model Number	Vertical Lens Shift: Home Position	Vertical lens shift: Top
ELPLM07 ELPLM11	0.18	0.18
ELPLM08	0.60	0.62
ELPLM09 ELPLM15 ELPLS04	0.40	0.40
ELPLL07	not supported	not supported
ELPLL08	not supported	not supported
ELPLR04	not supported	not supported

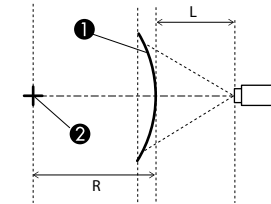
Vertically curved surface(concave)



- ① Screen
- ② Center of the circle of which the curved surface is an arc
- L Projection distance
- R Radius of the circle of which the curved surface is an arc

Lens Model Number	Vertical Lens Shift: Home Position	Vertical lens shift: Top
ELPLX01 ELPLX01S ELPLX01W ELPLX01WS	-	2.48
ELPLU02 ELPLU04	1.00	1.00
ELPLU03 ELPLU03S	1.33	1.33
ELPLW04 ELPLW06	0.53	0.53
ELPLW05	0.83	0.83
ELPLW08	0.73	0.73
ELPLM06 ELPLM10	0.26	0.26
ELPLM07 ELPLM11	0.18	0.18
ELPLM08	0.60	0.60
ELPLM09 ELPLM15 ELPLS04	0.40	0.40
ELPLL07	not supported	not supported
ELPLL08	not supported	not supported
ELPLR04	not supported	not supported

Vertically curved surface(convex)



- ① Screen
- ② Center of the circle of which the curved surface is an arc
- L Projection distance
- R Radius of the circle of which the curved surface is an arc

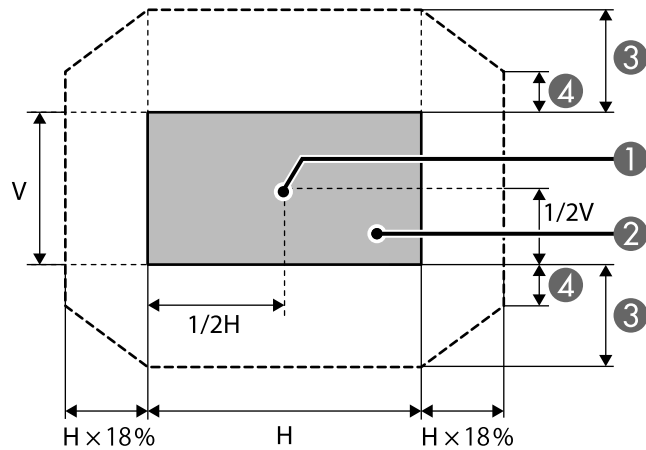
Lens Model Number	Vertical Lens Shift: Home Position	Vertical lens shift: Top
ELPLX01 ELPLX01S ELPLX01W ELPLX01WS	-	4.16
ELPLU02 ELPLU04	1.00	1.00
ELPLU03 ELPLU03S	1.33	1.33
ELPLW04 ELPLW06	0.53	0.53
ELPLW05	0.83	0.83
ELPLW08	0.73	0.73
ELPLM06 ELPLM10	0.26	0.26

Lens Model Number	Vertical Lens Shift: Home Position	Vertical lens shift: Top
ELPLM07 ELPLM11	0.18	0.18
ELPLM08	0.60	0.60
ELPLM09 ELPLM15 ELPLS04	0.40	0.40
ELPLL07	not supported	not supported
ELPLL08	not supported	not supported
ELPLR04	not supported	not supported

The ranges within which the image can be moved are shown below.

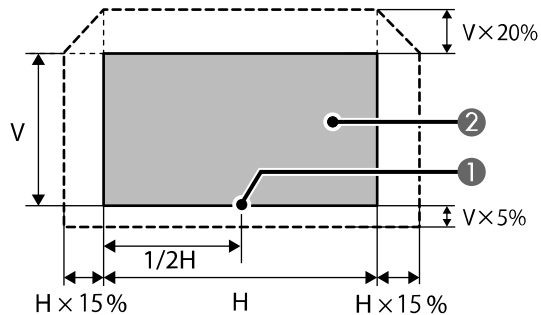
The position of the projected image cannot be moved to both the horizontal and vertical maximum values.

EB-PU2010B/EB-PU2010W:



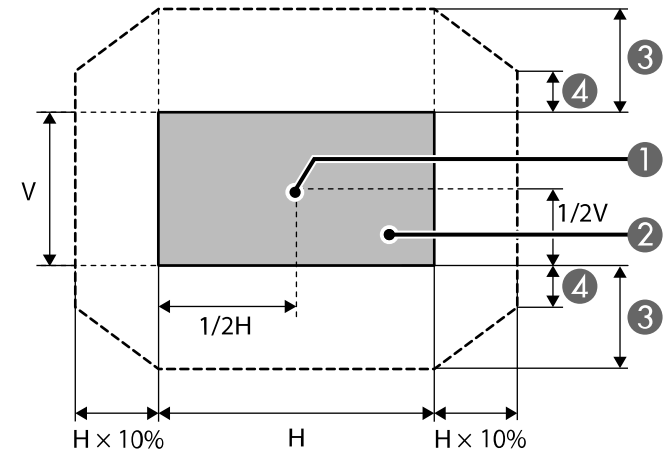
- ① Center of lens
- ② Projected image when the lens position is moved to the home position
- ③ Maximum motion range: $V \times 60\%$
- ④ When the horizontal direction is at the maximum value: $V \times 19\%$

When using ELPLX02/ELPLX02S/ELPLX02W/ELPLX02WS



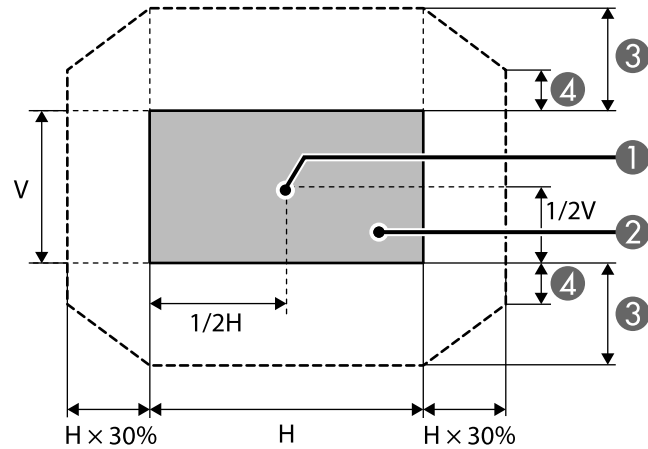
- ① Center of lens
- ② Projected image when the lens position is moved to the standard position

When using ELPLU03/ELPLU03S/ELPLW05/ELPLM08



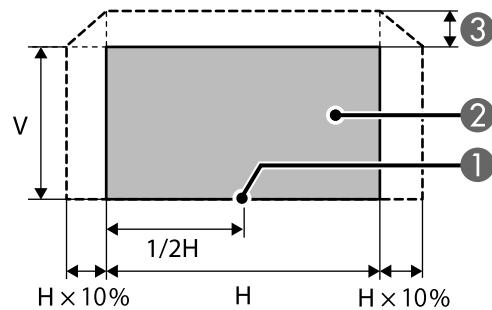
- ① Center of lens
- ② Projected image when the lens position is moved to the home position
- ③ Maximum motion range: $V \times 24\%$
- ④ When the horizontal direction is at the maximum value: $V \times 0\%$

EB-PU1008B/EB-PU1008W/EB-PU1007B/EB-PU1007W/EB-PU1006W:



- ① Center of lens
- ② Projected image when the lens position is moved to the home position
- ③ Maximum motion range: $V \times 67\%$
- ④ When the horizontal direction is at the maximum value: $V \times 19\%$

When using ELPLX01/ELPLX01S/ELPLX01W/ELPLX01WS



- ① Center of lens
- ② Projected image when the lens position is moved to the standard position
- ③ Maximum motion range: $V \times 17\%$ (When the horizontal direction is set to the maximum, the image cannot be moved upward.)

Monitoring and Controlling the Projector

Check these sections to monitor and control the projector over a network.

► Related Links

- "ESC/VP21 Commands " [p.81](#)
- "PJLink Command List" [p.109](#)
- "Art-Net Channel Specifications" [p.112](#)

You can control the projector from an external device using ESC/VP21. Some of the commands are not available with WebAPI.

► **Related Links**

- "Power On/Off" [p.81](#)
- "Operation" [p.82](#)
- "Projection screen adjustment" [p.83](#)
- "Source Select/Signal Status settings" [p.89](#)
- "Image adjustment" [p.89](#)
- "Audio" [p.96](#)
- "Additional functions" [p.96](#)
- "Configuration" [p.100](#)
- "Home Screen" [p.106](#)
- "Network" [p.107](#)
- "Provide Information" [p.107](#)
- "Cable Layouts" [p.108](#)

Function	Command	Epson Web Control Setting Availability	Setting Value/Response Value
	Return code		00: Standby condition 01: Projecting 02: Warm-up status 03: Cooling status 04: Network monitoring status/ communication status 05: Error standby status 09: A/V standby

Power On/Off

Function	Command	Epson Web Control Setting Availability	Setting Value/Response Value
Power on	PWR ON	✓	-
Power off	PWR OFF	✓	-
Power status query	PWR?	✓	-

Operation

Function	Command	Epson Web Control Setting Availability	Setting Value/Response Value
Key operation	KEY xxx	✓	Control panel 01: Power 02: Standby 03: Menu 05: ESC 16: Enter 35: Up 36: Down 37: Left 38: Right 48: SourceSearch 15: A/V Mute 0E: Lens

Function	Command	Epson Web Control Setting Availability	Setting Value/Response Value
			Remote control 3B: Power A1: Power ON 6C: Power OFF 3C: Menu 30: Home/Help 3D: ESC 49: Enter 58: Pointer Top 59: Pointer Bottom 5A: Pointer Left 5B: Pointer Right 5C: Pointer Upper Right 5D: Pointer Upper Left 5E: Pointer Lower Right 5F: Pointer Lower Left

Function	Command	Epson Web Control Setting Availability	Setting Value/Response Value
			68: Page up 69: Page down 4A: Auto 43: Comp1(Computer) 67: SourceSearch 1D: DVI 4D: HDMI 8A: LAN A3: SDI (EB-PU2010B/ EB-PU2010W) A6: HDBaseT 47: Freeze 28: E-Zoom+ 29: E-Zoom- 3E: A/V Mute(Blank) 3F: Color Mode 4B: Pattern 20: Aspect

Function	Command	Epson Web Control Setting Availability	Setting Value/Response Value
			61: Memory 2B: Focus 2D: LensShift 2F: Zoom 56: Volume+ 57: Volume- 1F: Info 6B: Geometry 84: User 88: Default 8F: ID A0: Split A7: User Button 2 A8: User Button 3

Projection screen adjustment

Function	Command	Epson Web Control Setting Availability	Setting Value/Response Value
V-Keystone Settings/Acquire settings	VKEYSTONE xxx	✓	-
	VKEYSTONE?	✓	-

Function	Command	Epson Web Control Setting Availability	Setting Value/Response Value
	Parameter/Return code		0-255 INIT/INC/DEC (settings only)
H-Keystone Settings/Acquire settings	HKEYSTONE xxx	✓	-
	HKEYSTONE?	✓	-
	Parameter/Return code		0-255 INIT/INC/DEC (settings only)
V-Balance Settings/Acquire settings	VBALANCE x1	✓	-
	VBALANCE?	✓	-
	Parameter/Return code		0-255 INIT/INC/DEC (settings only)
H-Balance Settings/Acquire settings	HBALANCE x1	✓	-
	HBALANCE?	✓	-
	Parameter/Return code		0-255 INIT/INC/DEC (settings only)
Quick Corner Coordinate Settings/Acquire settings (based on image projection area)	QC x1 x2 x3 x4 x5 x6 x7 x8	✓	-
	Parameter		x1-x8: -4999 to 5000 Specify in the order: top left (x, y), top right (x,y), bottom right (x, y), bottom left (x, y)

Function	Command	Epson Web Control Setting Availability	Setting Value/Response Value
	QC?	✓	-
	Return code		-4999 to 5000 Coordinates (x, y) for 4 points are divided into 4 lines and responded
Quick Corner Vector Settings	QCV x1 x2 x3 x4 x5 x6 x7 x8	✓	-
	Parameter		x1-x8: 0 to 99 Specify in the order: top left (x, y), top right (x,y), bottom right (x, y), bottom left (x, y)
Quick Corner Coordinate Shift	QCMV control direction movement	✓	-
	Parameter		control: QC control location specifications 01: Top left control 02: Top right control 03: Bottom right control 04: Bottom left control INIT (settings only) direction: Direction specifications 01: Move up 02: Move down 03: Move left 04: Move right

Function	Command	Epson Web Control Setting Availability	Setting Value/Response Value
			movement: Amount of movement specifications Only INC is enabled (settings only)
Keystone/screen correction method settings/acquisition	CORRECTMET x1	✓	-
	CORRECTMET?	✓	-
	Parameter/Return code		00: Off 01: H/V-Keystone 02: Quick Corner correction 03: Point Correction 04: Curved Surface correction 05: Corner Wall Correction
Geometry Correction Load Memory	POPGC x1	✓	-
	Parameter		01: Memory 1 02: Memory 2 03: Memory 3
Geometry Correction Save Memory	PUSHGC x1	✓	-
	Parameter		01: Memory 1 02: Memory 2 03: Memory 3
Geometry Correction Erase Memory	ERASEGC x1	✓	-

Function	Command	Epson Web Control Setting Availability	Setting Value/Response Value
	Parameter		00: ALL (Geometry Correction Reset Memory Settings) 01: Memory 1 02: Memory 2 03: Memory 3
Geometry Correction Rename/Acquire Memory	NAMEGC x1 x2	✓	-
	Parameter		x1 Memory No. 01: Memory 1 02: Memory 2 03: Memory 3 x2 Custom name (ASCII code)
	NAMEGC? x1	✓	-
	Parameter		Same as first parameter for NAMEGC
	Return code		Same as second parameter for NAMEGC
Aspect settings/Acquire settings	ASPECT xx	✓	-
	ASPECT?	✓	-

Function	Command	Epson Web Control Setting Availability	Setting Value/Response Value
	Parameter/Return code		Screen type = 4:3 00: Normal 10: 4:3 20: 16:9 30: Auto 50: H-Zoom 60: Native A0: V-Zoom INIT (settings only) Screen type = 16:9 00: Normal 30: Auto 40: Full 50: H-Zoom 60: Native A0: V-Zoom INIT (settings only)

Function	Command	Epson Web Control Setting Availability	Setting Value/Response Value
			Screen type = 16:10 00: Normal 20: 16:9 30: Auto 40: Full 50: H-Zoom 60: Native A0: V-Zoom INIT (settings only) When selected <Auto> (acquire only) x1: Mode x2: Auto parameters (fixed at 30)
Screen Type Settings/ Acquire settings	SCFORMAT mode param	✓	-
	SCFORMAT? mode	✓	-
	Parameter/Return code		mode: Settings Mode 01: Screen Type Settings 02: Screen Position Settings INIT (settings only) param: Value (mode = 01) 01: 4: 3 02: 16: 9 03: 16:10

Function	Command	Epson Web Control Setting Availability	Setting Value/Response Value
			param: Value (mode = 02) C19 to 000 to 3E7
Brightness Control/Light Source Mode Settings/Acquire settings	LUMINANCE xx	✓	-
	LUMINANCE?	✓	-
	Parameter/Return code		00: Normal 01: Quiet 02: Medium 04: Extended 05: Custom INIT (settings only)
Brightness Level Settings/Acquire settings	LUMLEVEL level	✓	-
	LUMLEVEL?	✓	-
	Parameter/Return code		0-255 INIT/INC/DEC (settings only)
(Brightness) Set/Acquire Constant Brightness	LUMCONST x1	✓	-
	LUMCONST?	✓	-
	Parameter/Return code		00: Off 01: On
Dimming Settings/Acquire settings	DIMMING x1	✓	-
	DIMMING?	✓	-

Function	Command	Epson Web Control Setting Availability	Setting Value/Response Value
	Parameter/Return code		x1: Dimming level 0 to 255
Tele Wide Settings/Acquire settings	ZOOM xxx	✓	-
	ZOOM?	✓	-
	Parameter/Return code		Electronic zoom Setting: MIN/MAX/OFF INC/DEC Acquiring: Zoom position (0-1023)
Focus Settings/Acquire settings	FOCUS xxx	✓	-
	FOCUS?	✓	-
	Parameter/Return code		Electronic focus Setting: MIN/MAX/OFF INC/DEC Acquiring: Focus position (0-1023)
Vertical Lens Shift Settings/Acquire settings	LENS x1 [x2]	✓	-
	Parameter		x1: Lens Shift Operation Setting INC/DEC MAX/MIN/OFF/INIT x2: Number of steps (x1=INC/DEC) 1-65535

Function	Command	Epson Web Control Setting Availability	Setting Value/Response Value
	LENS?	✓	-
	Return code		LENS=x1 x2 x1: AD value (0-1023) x2: Number of steps (0-65535)
Horizontal Lens Shift Settings/ Acquire settings	HLENS x1 [x2]	✓	-
	Parameter		x1: Lens Shift Operation Setting INC/DEC MAX/MIN/OFF/INIT x2: Number of steps (x1=INC/DEC) 1-65535
	HLENS?	✓	-
	Return code		HLENS=x1 x2 x1: AD value (0-1023) x2: Number of steps (0-65535)
Distortion Settings/Acquire settings	DISTORTION x1	✓	-
	Parameter		x1: Distortion Operation Setting INC/DEC MAX/MIN/OFF/INIT
	DISTORTION?	✓	-
	Return code		DISTORTION=x1 x1: AD value (decimal)

Function	Command	Epson Web Control Setting Availability	Setting Value/Response Value
Lens Calibration	LENSCALB	-	-
Lens Calibration History	LENSCALBHIST?	-	-
	Parameter/Return code		00: Not Recorded 01: Recorded
Overscan Settings/Acquire settings	OVSCAN xx	✓	-
	OVSCAN?	✓	-
	Parameter/Return code		00: Off 02: 4% 04: 8% A0: Auto INIT (settings only)

Source Select/Signal Status settings

Function	Command	Epson Web Control Setting Availability	Setting Value/Response Value
Source Select/Acquire	SOURCE xx	✓	10: Computer
	SOURCE?	✓	30: HDMI 52: USB 53: LAN 60: SDI (EB-PU2010B/ EB-PU2010W) 80: HDBaseT A0: DVI-D F0: Cycle through all sources F1: Cycle through DVI-D, Computer, USB and LAN F2: Cycle through HDMI, HDBaseT and SDI
Resolution Settings/Acquire settings	RESOL x1	✓	-
	RESOL?	✓	-
	Parameter/Return code		00 : Auto 01-02, 08-1E, 20-2D: Manual A0: Customized 1 A1: Customized 2 F0: Wide F1: Normal INIT (settings only)

Function	Command	Epson Web Control Setting Availability	Setting Value/Response Value
Auto Source Search	AUTOSEARCH x1	✓	-
	AUTOSEARCH?	✓	-
	Parameter/Return code		00: Off 01: On

Image adjustment

Function	Command	Epson Web Control Setting Availability	Setting Value/Response Value
Brightness Settings/Acquire settings	BRIGHT xxx	✓	-
	BRIGHT?	✓	-
	Parameter/Return code		0-255 INIT/INC/DEC (settings only)
Contrast Settings/Acquire settings	CONTRAST xxx	✓	-
	CONTRAST?	✓	-
	Parameter/Return code		0-255 INIT/INC/DEC (settings only)

Function	Command	Epson Web Control Setting Availability	Setting Value/Response Value
Color Saturation Settings/Acquire settings	DENSITY xxx	✓	-
	DENSITY?	✓	-
	Parameter/Return code		0-255 INIT/INC/DEC (settings only)
Tint Settings/Acquire settings	TINT xxx	✓	-
	TINT?	✓	-
	Parameter/Return code		0-255 INIT/INC/DEC (settings only)
Sharpness Settings/Acquire settings	SHARP x1 x2	✓	-
	Parameter		x1: Adjustment value 0-255 INC/DEC/INIT x2: Specific area setting 00: Standard (Default) 01: Thin Line Enhancement 02: Thick Line Enhancement
	SHARP? x1	✓	-
	Parameter		See the second parameter of the SHARP command.
Return code		0-255	
Color Temp. Settings/Acquire settings	CTEMP xxx	✓	-
	CTEMP?	✓	-

Function	Command	Epson Web Control Setting Availability	Setting Value/Response Value
	Parameter/Return code		Color Temp. 0-255 INIT/INC/DEC (settings only)
Skin color (G-M Correction) Settings/Acquire settings	FCOLOR xxx	✓	-
	FCOLOR?	✓	-
	Parameter/Return code		0-255 INIT/INC/DEC (settings only)
Color Mode Settings/Acquire settings	CMODE xx	✓	-
	CMODE?	✓	-
	Parameter/Return code		04: Presentation 06: Dynamic 07: Natural 0E: BT.709 0F: DICOM SIM 15: Cinema 1A: Multi-Projection INIT (settings only)
Horizontal Display Position Settings/Acquire settings	HPOS xxx	✓	-
	HPOS?	✓	-
	Parameter/Return code		0-255 INIT/INC/DEC (settings only)

Function	Command	Epson Web Control Setting Availability	Setting Value/Response Value
Vertical Display Position Settings/Acquire settings	VPOS xxx	✓	-
	VPOS?	✓	-
	Parameter/Return code		0-255 INIT/INC/DEC (settings only)
Tracking Settings/Acquire settings	TRACKING xxx	✓	-
	TRACKING?	✓	-
	Parameter/Return code		0-255 INIT/INC/DEC (settings only)
Synchronize Settings/Acquire settings	SYNC xxx	✓	-
	SYNC?	✓	-
	Parameter/Return code		0-255 INIT/INC/DEC (settings only)
Noise Reduction Settings/Acquire settings	NRS xx	✓	-
	Parameter		0-255 INIT/INC/DEC
	NRS?	✓	-
	Return code		0-255
MPEG Noise Reduction	MPEGNRS x1	✓	-
	MPEGNRS?	✓	-

Function	Command	Epson Web Control Setting Availability	Setting Value/Response Value
	Parameter/Return code		00: Off 01: Low 02: Normal 03: High
Red Offset Settings/Acquire settings	OFFSETR xxx	✓	-
	OFFSETR?	✓	-
Green Offset Settings/Acquire settings	Parameter/Return code		0-255 INIT/INC/DEC (settings only)
Blue Offset Settings/Acquire settings	OFFSETG xxx	✓	-
	OFFSETG?	✓	-
	Parameter/Return code		0-255 INIT/INC/DEC (settings only)
	OFFSETB xxx	✓	-
	OFFSETB?	✓	-
	Parameter/Return code		0-255 INIT/INC/DEC (settings only)

Function	Command	Epson Web Control Setting Availability	Setting Value/Response Value
Red Gain Settings/Acquire settings	GAINR xxx	✓	-
	GAINR?	✓	-
Green Gain Settings/Acquire settings	Parameter/Return code		0-255 INIT/INC/DEC (settings only)
	GAING xxx	✓	-
Blue Gain Settings/Acquire settings	GAING?	✓	-
	Parameter/Return code		0-255 INIT/INC/DEC (settings only)
	GAINB xxx	✓	-
	GAINB?	✓	-
	Parameter/Return code		0-255 INIT/INC/DEC (settings only)
Gamma Settings/Acquire settings	GAMMA xx	✓	-
	GAMMA?	✓	-

Function	Command	Epson Web Control Setting Availability	Setting Value/Response Value
	Parameter/Return code		17: Setting 5 / Gamma 1.7 18: Setting 4 / Gamma 1.8 19: Setting 3 / Gamma 1.9 20: Setting 2 / Gamma 2.0 21: Setting 1 / Gamma 2.1 22: Setting 0 / Gamma 2.2 23: Setting -1 / Gamma 2.3 24: Setting -2 / Gamma 2.4 25: Setting -3 / Gamma 2.5 26: Setting -4 / Gamma 2.6 27: Setting -5 / Gamma 2.7 F0: Custom INIT (settings only)
Gamma Color Tone Settings/Acquire settings	GAMMALV x1 x2	✓	-
	Parameter		x1: Color Tone 00-08 Gradient 1 to Gradient 9 x2: Adjustment Number 0-255 INC/ DEC
	GAMMALV? xx	✓	-
	Parameter		See the first parameter of the GAMMALV command.
	Return code		0-255

Function	Command	Epson Web Control Setting Availability	Setting Value/Response Value
RGBCMY Settings/Acquire settings	AXESADJ x1 x2 x3 x4	✓	-
	Parameter		x1: Color 01: R 02: G 03: B 04: C 05: M 06: Y 90: ALL x2: Hue 0-255 x3: Saturation 0-255 x4: Brightness 0-255 INIT
	AXESADJ?	✓	-
	Return code		0-255 Returns the hue, saturation, and brightness of each color in the order R, G, B, C, M, Y.
Multi-screen Color Matching Settings/Acquire settings	MULSCR x1 x2 x3	✓	-

Function	Command	Epson Web Control Setting Availability	Setting Value/Response Value
	Parameter		x1: Adjustment type 01: Pattern Guide 05: Color Correct R 06: Color Correct G 07: Color Correct B 08: Color Correct (RGB Batch) INIT x2: Level Settings 00: Off (x1 = 01 only) 01 to 08: Level 1 to Level 8 FF: All x3: Adjustment value (except x1 = 01) 0-255 INIT/INC/DEC [x3]: type (except x1 = 01 & x2 = 00) 00: Tone Pattern 01: Blend Pattern
	MULSCR? xx	✓	-
	Parameter		x1: Adjustment type 01: Pattern Guide 05: Color Correct R 06: Color Correct G 07: Color Correct B

Function	Command	Epson Web Control Setting Availability	Setting Value/Response Value
	Return code		Responds to the settings or level value for each level of the specified adjustment type. Level value: 00-08, FF Adjustment value 000-255
Load Memory	POPMEM x1 x2	✓	-
	Parameter		x1 Memory Type 02: Advanced x2 Memory No. 01 to 0A: Memory 1 (1st) to Memory 10 (10th)
Save Memory	PUSHMEM x1 x2	✓	-
	Parameter		x1 Memory Type 02: Advanced x2 Memory No. 01 to 0A: Memory 1 (1st) to Memory 10 (10th)
Erase Memory	ERASEMEM x1 x2	✓	-
	Parameter		x1 Memory Type 00: ALL 02: Advanced x2 Memory No. 01 to 0A: Memory 1 (1st) to Memory 10 (10th)

Function	Command	Epson Web Control Setting Availability	Setting Value/Response Value
Acquire color adjustment method settings	CSEL?	✓	-
	Return code		07: RGB/RGBCMY
4K Enhancement Settings/Acquire settings	4KENHANCE xx	✓	-
	4KENHANCE?	✓	-
	Parameter/Return code		00: Off 01: Full HD 02: WUXGA+
Image Preset Mode Settings/Acquire	IMGPRESET x1	✓	-
	IMGPRESET?	✓	-
	Parameter/Return code		00: Off 01: Preset 1 02: Preset 2 03: Preset 3 04: Preset 4 05: Preset 5 INIT (settings only)
Super-resolution: Fine Line Adjust Settings/Acquire settings	SHRF x1	✓	-
	SHRF?	✓	-
	Parameter/Return code		0-255 INC/DEC/INIT

Function	Command	Epson Web Control Setting Availability	Setting Value/Response Value
Super-resolution: Soft Focus Detail Settings/Acquire settings	SHRS x1	✓	-
	SHRS?	✓	-
	Parameter/Return code		0-255 INC/DEC/INIT
Detail Enhancement: Range Settings/Acquire	DERANGE x1	✓	-
	Parameter		0-255 INC/DEC/INIT
	DERANGE?	✓	-
	Return code		0-255
Detail Enhancement: Strength Settings/Acquire	DESTRENGTH x1	✓	-
	Parameter		0-255 INC/DEC/INIT
	DESTRENGTH?	✓	-
	Return code		0-255
Frame Interpolation Settings/Acquire settings	MCFI xx	✓	-
	MCFI?	✓	-
	Parameter/Return code		00: Off 01: Low 02: Normal 03: High INIT (settings only)

Function	Command	Epson Web Control Setting Availability	Setting Value/Response Value
(HDR) Color Space Settings/Acquire settings	CLRSPACE x1	✓	-
	CLRSPACE?	✓	-
	Parameter/Return code		00: Auto 01: BT.709 02: BT.2020
(HDR) Dynamic Range Settings/Acquire settings	DYNRANGE x1	✓	-
	DYNRANGE?	✓	-
	Parameter/Return code		00: Auto 01: SDR 20: HDR10 30: HLG
HDR PQ Settings/Acquire settings	HDRPQ x1	✓	-
	HDRPQ?	✓	-
	Parameter/Return code		01-16: HDR10 Mode
HDR HLG Settings/Acquire settings	HDRHLG x1	✓	-
	HDRHLG?	✓	-
	Parameter/Return code		01-16: HLG Mode
Scene Adaptive Gamma Settings/Acquire settings	SCENEGAMMA x1	✓	-
	SCENEGAMMA?	✓	-
	Parameter/Return code		0-255 INIT/INC/DEC (settings only)

Audio

Function	Command	Epson Web Control Setting Availability	Setting Value/Response Value
Volume Settings/ Acquire settings	VOL xxx	✓	-
	VOL?	✓	-
	Parameter/Return code		0-255 INIT/INC/DEC (settings only)
A/V Settings/ Acquire settings	AVOUT x1	✓	-
	AVOUT?	✓	-
	Parameter/Return code		00: While Projecting (NW Standby) 01: Always On (AV Standby) INIT (settings only)

Additional functions

Function	Command	Epson Web Control Setting Availability	Setting Value/Response Value
Execute or Release A/V Mute/Acquire status	MUTE x1	✓	-
	MUTE?	✓	-
	Parameter/Return code		ON: Execute A/V Mute OFF: Release A/V Mute INIT(settings only)
Execute or Release Freeze/ Acquire status	FREEZE xxx	✓	-
	FREEZE?	✓	-
	Parameter/Return code		ON: Execute Freeze OFF: Release Freeze INIT(settings only)
Fade-in Settings/ Acquire	FADEIN x1	✓	-

Function	Command	Epson Web Control Setting Availability	Setting Value/Response Value
	Parameter/Return code		0-9: 0.0s 10-19: 0.5s 20-29: 1.0s 30-39: 1.5s 40-49: 2.0s 50-59: 2.5s 60-69: 3.0s 70-79: 3.5s 80-89: 4.0s 90-99: 4.5s 100-109: 5.0s 110-119: 5.5s 120-129: 6.0s 130-139: 6.5s 140-149: 7.0s 150-159: 7.5s 160-169: 8.0s 170-179: 8.5s 180-189: 9.0s 190-199: 9.5s 200-209: 10.0s 210-255: No operation INIT
	FADEIN?	✓	-

Function	Command	Epson Web Control Setting Availability	Setting Value/Response Value
	Parameter/Return code		0: 0.0s 10: 0.5s 20: 1.0s 30: 1.5s 40: 2.0s 50: 2.5s 60: 3.0s 70: 3.5s 80: 4.0s 90: 4.5s 100: 5.0s 110: 5.5s 120: 6.0s 130: 6.5s 140: 7.0s 150: 7.5s 160: 8.0s 170: 8.5s 180: 9.0s 190: 9.5s 200: 10.0s
Fade-out Settings/Acquire	FADEOUT x1	✓	-

Function	Command	Epson Web Control Setting Availability	Setting Value/Response Value
	Parameter/Return code		0-9: 0.0s 10-19: 0.5s 20-29: 1.0s 30-39: 1.5s 40-49: 2.0s 50-59: 2.5s 60-69: 3.0s 70-79: 3.5s 80-89: 4.0s 90-99: 4.5s 100-109: 5.0s 110-119: 5.5s 120-129: 6.0s 130-139: 6.5s 140-149: 7.0s 150-159: 7.5s 160-169: 8.0s 170-179: 8.5s 180-189: 9.0s 190-199: 9.5s 200-209: 10.0s 210-255: No operation INIT
	FADEOUT?	✓	-

Function	Command	Epson Web Control Setting Availability	Setting Value/Response Value
	Parameter/Return code		0: 0.0s 10: 0.5s 20: 1.0s 30: 1.5s 40: 2.0s 50: 2.5s 60: 3.0s 70: 3.5s 80: 4.0s 90: 4.5s 100: 5.0s 110: 5.5s 120: 6.0s 130: 6.5s 140: 7.0s 150: 7.5s 160: 8.0s 170: 8.5s 180: 9.0s 190: 9.5s 200: 10.0s
Panel Alignment Settings/Acquire settings	LCDALIGNMENT 00 x y updown leftright	✓	-

Function	Command	Epson Web Control Setting Availability	Setting Value/Response Value
	LCDALIGNMENT 04 updown leftright LCDALIGNMENT mode param		
	Parameter/Return code		mode 00: Start Adjustment (Point Adjustment) 01: Panel Alignment Setting 02: Adjustment Color Setting 03: Pattern Color Setting 04: Start Adjustment (Whole Adjustment) INIT (settings only) x 0000 to 270F: x-coordinate value y 0000 to 270F: y-coordinate value updown 9D to 00 to 63: Amount of vertical adjustment leftright 9D to 00 to 63: Amount of horizontal adjustment

Function	Command	Epson Web Control Setting Availability	Setting Value/Response Value
			param Panel Alignment Setting 00: Panel Alignment Setting Off 01: Panel Alignment Setting On Adjustment Color Setting (mode=02) 01: R (Red) 02: B (Blue) Pattern Color Setting (mode=03) 01: R/G/B 02: R/G 03: G/B
	LCDALIGNMENT? mode x y LCDALIGNMENT? mode	✓	-
	Parameter		mode 00: Acquiring adjustment value (Point Adjustment) 01: Panel Alignment Setting 02: Adjustment Color Setting 03: Pattern Color Setting

Function	Command	Epson Web Control Setting Availability	Setting Value/Response Value
			x 0000 to 270F: x-coordinate value y 0000 to 270F: y-coordinate value
	Return code		Acquiring adjustment value (mode= 00) Returns the amount of vertical and horizontal adjustment Acquiring Panel Alignment Setting (mode= 01) 00: Panel Alignment Setting Off 01: Panel Alignment Setting On Acquiring Color Setting (mode=02) 01: R (Red) 02: B (Blue) Acquiring Pattern Color Setting (mode=03) 01: R/G/B 02: R/G 03: G/B

Configuration

Function	Command	Epson Web Control Setting Availability	Setting Value/Response Value
Horizontal Reverse Settings/ Acquire settings	HREVERSE xxx	✓	-
	HREVERSE?	✓	-
	Parameter/Return code		ON: Horizontal Reverse status OFF: Normal INIT (settings only)
Vertical Reverse Settings/ Acquire settings	VREVERSE xxx	✓	-
	VREVERSE?	✓	-
	Parameter/Return code		ON: Vertical Reverse status OFF: Normal INIT (settings only)
Reset All Config	INITALL	✓	-
Reset All (Factory Default)	INITFACTORY x1	✓	-
	Parameter		x1: Reset Password
User Default Setting	USERDATASET x1	✓	-
	Parameter		x1: Setting Password
Reset All (User Default)	INITUSERDATA x1	✓	-
	Parameter		x1: Reset Password

Function	Command	Epson Web Control Setting Availability	Setting Value/Response Value
Communication Speed Settings/Acquire settings	SPEED xx	-	-
	Parameter		00: 9600 bps 01: 19200 bps 02: 38400 bps 03: 57600 bps INIT
	SPEED?	-	-
	Return code		00: 9600 bps 01: 19200 bps 02: 38400 bps 03: 57600 bps
Projector ID Settings/Acquire settings	PROJID xx	✓	-
	PROJID?	✓	-
Base Unit ID Settings/Acquire settings	Parameter/Return code		00: Off 01-30: ID1-ID30 INIT (settings only)
Air Filter Notice Settings/Acquire settings	FLCLENOT x1	✓	-
	FLCLENOT?	✓	-
	Parameter/Return code		00: No Air Filter Notice 01: Use Air Filter Notice INIT (settings only)

Function	Command	Epson Web Control Setting Availability	Setting Value/Response Value
Illumination/Indicator Settings	ILLUM xx	✓	-
	ILLUM?	✓	-
	Parameter/Return code		00: Off 01: On INIT (settings only)
Load Lens Position	POPLP xx	✓	-
	Parameter		01: Memory 1 02: Memory 2 03: Memory 3 04: Memory 4 05: Memory 5 06: Memory 6 07: Memory 7 08: Memory 8 09: Memory 9 0A: Memory 10
Register Lens Position	PUSHLP xx	✓	-

Function	Command	Epson Web Control Setting Availability	Setting Value/Response Value
	Parameter		01: Memory 1 02: Memory 2 03: Memory 3 04: Memory 4 05: Memory 5 06: Memory 6 07: Memory 7 08: Memory 8 09: Memory 9 0A: Memory 10
Delete Lens Position	ERASELP xx	✓	-
	Parameter		00: ALL (Reset Lens Position Memory) 01: Memory 1 02: Memory 2 03: Memory 3 04: Memory 4 05: Memory 5 06: Memory 6 07: Memory 7 08: Memory 8 09: Memory 9 0A: Memory 10

Function	Command	Epson Web Control Setting Availability	Setting Value/Response Value
Menu Display Settings/Acquire settings	MENUDISP mode param	✓	-
	MENUDISP? mode	✓	-
	Parameter/Return code		mode: Specify Setting Mode 01: Menu Position param=01: Menu Position 00: Center 01: Center Left 02: Top Left 03: Top Center 04: Top Right 05: Center Right 06: Bottom Right 07: Bottom Center 08: Bottom Left INIT (settings only)
Message Position Settings/Acquire	MSGPOS x1	✓	-
	MSGPOS?	✓	-

Function	Command	Epson Web Control Setting Availability	Setting Value/Response Value
	Parameter/Return code		00: Center 01: Center Left 02: Top Left 03: Top Center 04: Top Right 05: Center Right 06: Bottom Right 07: Bottom Center 08: Bottom Left
On Screen Settings	ONSCREEN x1	✓	-
	ONSCREEN?	✓	-
	Parameter/Return code		00: Off (do not display the OSD) 01: On (display the OSD)
OSD Rotation Settings	OSDROTATE x1	✓	-
	OSDROTATE?	✓	-
	Parameter/Return code		00: Off 01: Right 90 Degree 02: Left 90 Degree
Standby Confirmation Settings/Acquire settings	STANDBYCONF mode	✓	-
	STANDBYCONF?	✓	-

Function	Command	Epson Web Control Setting Availability	Setting Value/Response Value
	Parameter/Return code		00: Standby Confirmation Off 01: Standby Confirmation On INIT (settings only)
HDBaseT Settings/Acquire settings	HDBASET mode	✓	-
	HDBASET?	✓	-
	Parameter/Return code		00: Off 01: On INIT (settings only)
Lens Type Settings/Acquire settings	SFLENS mode	✓	-
	Parameter		00: ELPLS04 01: ELPLU02 02: ELPLR04 03: ELPLW04 04: ELPLM06 05: ELPLM07 06: ELPLL07 INIT
	SFLENS?	✓	-

Function	Command	Epson Web Control Setting Availability	Setting Value/Response Value
	Return code		00: ELPLS04 01: ELPLU02 02: ELPLR04 03: ELPLW04 04: ELPLM06 05: ELPLM07 06: ELPLL07 10: ELPLM08 11: ELPLX01 12: ELPLU03 13: ELPLU04 14: ELPLW05 15: ELPLW06 16: ELPLM09 17: ELPLM10 18: ELPLM11 19: ELPLL08 1A: ELPLM15 1B: ELPLX02 1C: ELPLW08 1D: ELPLU03S * When the Lens Type is unknown, the menu setting is returned.

Function	Command	Epson Web Control Setting Availability	Setting Value/Response Value
Startup Source Settings/Acquire settings	STSOURCE mode	✓	-
	STSOURCE?	✓	-
	Parameter/Return code		00: Last source 10: Computer 30: HDMI 52: USB 53: LAN 60: SDI (EB-PU2010B/EB-PU2010W) 80: HDBaseT A0: DVI-D
Quick Startup Mode Settings/Acquire	FASTBOOT x1	✓	-
	FASTBOOT?	✓	-
	Parameter/ Return code		00: Off 01: 20 min. 02: 60 min. 03: 90 min.
Refresh Mode Settings/Acquire	REFRESHTIME x1	✓	-
	REFRESHTIME?	✓	-

Function	Command	Epson Web Control Setting Availability	Setting Value/Response Value
	Parameter/Return code		01: 1 hour 02: 2 hours 03: 3 hours 04: 4 hours 05: 5 hours 06: 6 hours 07: 7 hours 08: 8 hours 09: 9 hours 0A: 10 hours 0B: 11 hours 0C: 12 hours 0D: 13 hours 0E: 14 hours 0F: 15 hours 10: 16 hours 11: 17 hours 12: 18 hours 13: 19 hours 14: 20 hours 15: 21 hours 16: 22 hours 17: 23 hours 18: 24 hours

Function	Command	Epson Web Control Setting Availability	Setting Value/Response Value
Refresh Mode Start	REFRESH	✓	-
Refresh Mode Executing Messages Settings/Acquire	REFRESHMSG x1	✓	-
	REFRESHMSG?	✓	-
	Parameter/Return code		00: Hide Messages 01: Messages
Batch Setup Range Settings/Acquire	BARANGE x1	✓	-
	BARANGE?	✓	-
	Parameter/Return code		00: All 01: Limited
AC Voltage Monitoring Settings/Acquire	ACMONITOR x1	✓	-
	ACMONITOR?	✓	-
	Parameter/Return code		00: Off 01: On
Light Source Calibration Last Run Acquire	LTCALB	✓	-
Auto Light Source Calibration Settings/Acquire (Run Periodically)	AUTOLTALB x1	✓	-
	AUTOLTALB?	✓	-

Function	Command	Epson Web Control Setting Availability	Setting Value/Response Value
	Parameter/Return code		00: Off 01: On (Run Periodically) INIT (settings only)
Light Source Calibration Last Run Acquire	LASTLTCALB?	✓	-
	Return code		yyyyMMddHHmm (Year, Month, Date, Hour, Minute) 2000 to 2099: yyyy 01 to 12: MM 01 to 31: dd 00 to 23: HH 00 to 59: mm
USB Power in Standby Settings/Acquire settings USB Power Settings/Acquire settings	USBSUPPLY x1	✓	-
	USBSUPPLY?	✓	-
	Parameter/Return code		00: On when projecting 01: Always On
Kitting Settings/Acquire settings	KITTING x1	✓	-
	KITTING?	✓	-
	Parameter/Return code		00: Kitting prohibited (NFC Write Protection: On) 01: Kitting allowed (NFC Write Protection: Off)

Home Screen

Function	Command	Epson Web Control Setting Availability	Setting Value/Response Value
Home Screen Auto Disp.	AUTOHOME x1	✓	-
	AUTOHOME?	✓	-
	Parameter/Return code		00: Off (do not display automatically) 01: On (display automatically)
Home Screen Custom Function Settings/Acquire	HFUNC x1 x2	✓	-
	HFUNC? x1	✓	-
	Parameter/Return code		x1 Custom Target 01: Custom Function 1 02: Custom Function 2 x2 Assigned Functions 03: Network Settings 08: Info 0B: Image Enhancement 0C: Frame Interpolation 0D: Split Screen

Network

Function	Command	Epson Web Control Setting Availability	Setting Value/Response Value
AMX DDDP BeaconMessage Acquire	AMX	-	-
	Return code		*The response format follows the AMX specifications. AMXB<- SDKClass=VideoProjector><- GUID=EPSON_EMP001><- Revision=1.0.0>
AMX DDDP IP BeaconMessage Status settings/ Acquire status	AMXDDDP xx	✓	-
	AMXDDDP?	✓	-
	Parameter/Return code		00: Stop sending BeaconMessage 01: Start sending BeaconMessage INIT (settings only)
Extron XTP Settings/Acquire	XTP x1	✓	-
	XTP?	✓	-
	Parameter/Return code		00: Off 01: On
Wireless Mode	WLPWR x1	✓	-
	WLPWR?	✓	-
	Parameter/Return code		00: Off 01: Wireless LAN On

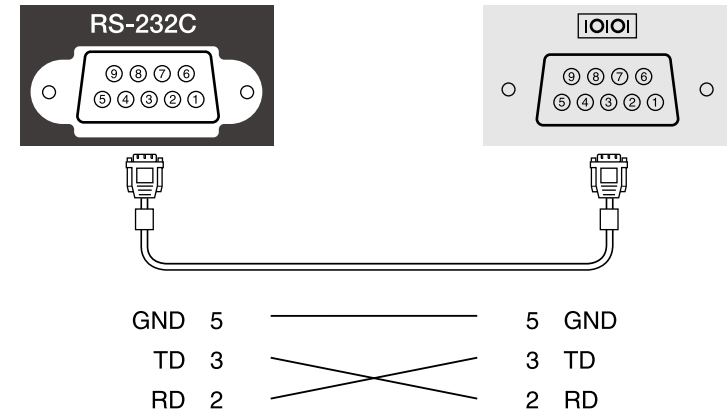
Provide Information

Function	Command	Epson Web Control Setting Availability	Setting Value/Response Value
Acquire Laser Hours	LAMP?	✓	-
	Return code		LAMP=x1 x1: Lamp (Laser) On Hours
Acquire Operation Hours	ONTIME?	✓	-
	Return code		ONTIME=x1 x1: Operation Hours
Acquire Signal Status	SIGNAL?	✓	-
	Return code		00: No signal 01: Signal FF: Unsupported signal
Acquire Source List Information	SOURCELIST?	✓	-
	Return code		30: HDMI 80: HDBaseT A0: DVI-D 60: SDI (EB-PU2010B/ EB-PU2010W) 10: Computer 52: USB 53: LAN

Function	Command	Epson Web Control Setting Availability	Setting Value/Response Value
Acquire Source List Information (All sources)	SOURCELISTA?	✓	-
	Return code		30: HDMI 80: HDBaseT A0: DVI-D 60: SDI (EB-PU2010B/EB-PU2010W) 10: Computer 52: USB 53: LAN
Log Save Destination	LOGTO x1	✓	-
	LOGTO?	✓	-
	Parameter/Return code		00: Internal memory 01: USB and internal memory
External Camera Status Acquire	EXTCAMERASTS?	✓	-
	Return code		Normal: Normal operation None: No camera connection Error01: Camera error 1

- Projector input port name: RS-232C
- Cable type: Crossover (null modem) cable

In the following illustration, the projector side is shown on the left, and the computer side on the right:



Signal name	Function
GND	Signal wire ground
TD	Transmit data
RD	Receive data

Communications protocol

- Default baud rate setting: 9600 bps
- Data length: 8 bit
- Parity: None
- Stop-bit: 1 bit
- Flow control: None

Cable Layouts

Serial connection

- Connector shape: D-Sub 9-pin (male)

The port number used for the PJLink search function is 4352 (UDP).

Function	Command	Setting Value/Response Value	Content	Notes
Power control instruction	POWR	0	Power-off (Standby/Error standby)	-
		1	Power-on (Light source on)	-
Power status query	POWR ?	0	Power-off (Standby/Error standby)	-
		1	Power-on (Light source on)	-
		2	Cooling status	-
		3	Warm-up status	-
Input switch instruction Input switch query	INPT INPT ?	11	Computer	-
		31	DVI-D	-
		32	HDMI	-
		34	SDI (EB-PU2010B/EB-PU2010W)	-
		41	USB	-
		52	LAN	-
		56	HDBaseT	-

Function	Command	Setting Value/Response Value		Content	Notes
Input toggling list query	INST ?	11		Computer	Displays a list of the available input sources of the projector.
		31		DVI-D	
		32		HDMI	
		34		SDI (EB-PU2010B/EB-PU2010W)	
		41		USB	
		52		LAN	
		56		HDBaseT	
Error status query	ERST ?	First character	2	Fan Error	"0" is displayed when no error has occurred.
		Second character	2	Laser error Laser on error	
		Third character	1	High Temp Warning	
			2	Temperature error	
		Fifth character	1	No air filter warning Filter warning	
			2	Filter error	
		Sixth character	1	Other warnings	
			2	Other errors	

Function	Command	Setting Value/Response Value	Content	Notes
A/V Mute Settings	AVMT	30	A/V mute off	Does not support video mute off/on (10/11) or audio mute off/on (20/21).
		31	A/V mute on	
A/V Mute status query	AVMT ?	30	A/V mute off	
		31	A/V mute on	
Projector name query	NAME ?	-	Projector Name	Displays the name set in [Network] - [Basic] - [Projector Name] in the projector's menu.
Manufacture name information query	INF1 ?	EPSON	Manufacture name	-
Model name information query	INF2 ?	EPSON PU1008B/PU1008W	EB-PU1008B/EB-PU1008W	-
		EPSON PU1007B/PU1007W	EB-PU1007B/EB-PU1007W	-
		EPSON PU1006W	EB-PU1006W	-
		EPSON PU2010B/PU2010W	EB-PU2010B/EB-PU2010W	-
Class information query	CLSS ?	2	-	-

Function	Command	Setting Value/Response Value	Content	Notes
Light source number, lighting hour query	LAMP ?	[L1 light source usage time] [L1 light source query] (ESC/VP21 command: LAMP?, PWSTATUS?)	-	-

Class2 Command List

Function	Command	Setting Value/Response Value	Content	Notes
Request to search projector	SRCH ?	-	-	-
Response to projector search	ACKN	-	-	-
Status notification (link up)	LKUP =	-	-	- When address is confirmed.
Status notification (error occurred)	ERST =	-	-	-
Status notification (changing power status)	POWR =	-	-	-

Function	Command	Setting Value/Response Value	Content	Notes
Status notification (changing input source)	INPT =	-	-	-
Serial number query	SNUM ?	11 digit numbers	Serial number of projector being used	-
Software version query	SVER ?	-	Firmware version of projector being used	-
Input port name query	INNМ ?xx	(Source name)	-	xx is a 2 digit number used in the input toggling list query.
Input signal resolution query	IRES ?	(Horizontal resolution) x (Vertical resolution)	-	-
Panel resolution query	RRES ?	(Horizontal resolution) x (Vertical resolution)	Panel resolution of your projector	The value may vary depending on the [Screen Type] setting in the projector's menu.

Function	Command	Setting Value/Response Value	Content	Notes
Filter operation hours query	FILT ?	0	-	-
Filter replacement model query	RFIL ?	ELPAF46	-	-
Static function setting Static status query	FREZ FREZ ?	0	Freeze off	-
		1	Freeze on	-

Channel/ Function	Operation	Parameters	Default value	Description
1 Adjusting light (dimming)	0% to 100%	0 to 255	0	Adjusts the image brightness.
2 Shutter and A/V Mute control	A/V Mute off	0 to 63	128	Enables/disables A/V Mute.
	Non-operational	64 to 191		
	A/V Mute on	192 to 255		
3 Switch source	Non-operational	0 to 7	0	Switches to the specified source.
	HDMI	8 to 15		
	Non-operational	16 to 23		
	HDBaseT	24 to 31		
	DVI-D	32 to 39		
	Non-operational	40 to 47		
	SDI (EB-PU2010B/EB-PU2010W)	48 to 55		
	Computer	56 to 63		
	Non-operational	64 to 71		
	Non-operational	72 to 79		
	LAN	80 to 87		
	Non-operational	88 to 95		
	USB	96 to 103		
	Non-operational	104 to 255		

Channel/ Function	Operation	Parameters	Default value	Description			
4 Lens Position	Non-operational	0 to 31	0	Moves the lens shift to the home position.			
	Move to home position	32 to 63					
	Non-operational	64 to 255					
5 Horizontal Lens Shift	(+) lens adjustment (large)	0 to 31	128	Performs horizontal lens shift using the amount of movement specified.			
	(+) lens adjustment (medium)	32 to 63					
	(+) lens adjustment (small)	64 to 95					
	Non-operational	96 to 159					
	(-) lens adjustment (small)	160 to 191					
	(-) lens adjustment (medium)	192 to 223					
	(-) lens adjustment (large)	224 to 255					
	6 Vertical Lens Shift	(+) lens adjustment (large)			0 to 31	128	Performs vertical lens shift using the amount of movement specified.

Channel/ Function	Operation	Parameters	Default value	Description
	(+) lens adjustment (medium)	32 to 63		
	(+) lens adjustment (small)	64 to 95		
	Non-operational	96 to 159		
	(-) lens adjustment (small)	160 to 191		
	(-) lens adjustment (medium)	192 to 223		
	(-) lens adjustment (large)	224 to 255		
7 Electronic Zoom	(+) lens adjustment (large)	0 to 31	128	Performs electronic zoom using the specified amount of movement.
	(+) lens adjustment (medium)	32 to 63		
	(+) lens adjustment (small)	64 to 95		
	Non-operational	96 to 159		
	(-) lens adjustment (small)	160 to 191		
	(-) lens adjustment (medium)	192 to 223		
	(-) lens adjustment (large)	224 to 255		

Channel/ Function	Operation	Parameters	Default value	Description	
8 Electronic focus	(+) lens adjustment (large)	0 to 31	128	Performs electronic focus using the specified amount of movement.	
	(+) lens adjustment (medium)	32 to 63			
	(+) lens adjustment (small)	64 to 95			
	Non-operational	96 to 159			
	(-) lens adjustment (small)	160 to 191			
	(-) lens adjustment (medium)	192 to 223			
	(-) lens adjustment (large)	224 to 255			
9 Electronic distortion	(+) lens adjustment (large)	0 to 31	128	Performs electronic distortion using the amount of movement specified.	
	(+) lens adjustment (medium)	32 to 63			
	(+) lens adjustment (small)	64 to 95			
	Non-operational	96 to 159			
	(-) lens adjustment (small)	160 to 191			

Channel/Function	Operation	Parameters	Default value	Description
	(-) lens adjustment (medium)	192 to 223		
	(-) lens adjustment (large)	224 to 255		
10 Load Lens Memory	Non-operational	0 to 15	0	Loads the specified lens memory.
	Memory 1	16 to 31		
	Memory 2	32 to 47		
	Memory 3	48 to 63		
	Memory 4	64 to 79		
	Memory 5	80 to 95		
	Memory 6	96 to 111		
	Memory 7	112 to 127		
	Memory 8	128 to 143		
	Memory 9	144 to 159		
	Memory 10	160 to 175		
Non-operational	176 to 255			
11 Power control	Power off	0 to 63	128	Turns the projector power on or off.
	Non-operational	64 to 191		
	Power on	192 to 255		
12 Geometry Correction	Off	0 to 15	255	Corrects the image shape.

Channel/Function	Operation	Parameters	Default value	Description
	H/V-Keystone	16 to 31		Loads image shape setting from memory.
	Quick Corner	32 to 47		
	Point Correction	48 to 63		
	Arc Correction	64 to 79		
	Corner Wall Correction	80 to 95		
	Load Memory1	96 to 111		
	Load Memory2	112 to 127		
	Load Memory3	128 to 143		
Non-operational	144 to 255			
13 Lock	Cannot control	0 to 127	0	Enables/disables Art-Net operations.
	Can control	128 to 255		
14 Freeze	Non-operational	0 to 31	128	Enables/disables Freeze.
	Freeze off	32 to 95		
	Non-operational	96 to 159		
	Freeze on	160 to 223		
Non-operational	224 to 255			
15 Fade-in	0.0s	0 to 15	255	Specifies Fade-in time when turning off the A/V Mute feature.

Channel/ Function	Operation	Parameters	Default value	Description
	0.5s	16 to 31		
	1.0s	32 to 47		
	1.5s	48 to 63		
	2.0s	64 to 79		
	2.5s	80 to 95		
	3.0s	96 to 111		
	3.5s	112 to 127		
	4.0s	128 to 143		
	5.0s	144 to 159		
	7.0s	160 to 175		
	10.0s	176 to 191		
	Non-operational	192 to 255		
16 Fade-out	0.0s	0 to 15	255	Specifies Fadeout time when turning on the A/V Mute feature.
	0.5s	16 to 31		
	1.0s	32 to 47		
	1.5s	48 to 63		
	2.0s	64 to 79		
	2.5s	80 to 95		
	3.0s	96 to 111		
	3.5s	112 to 127		

Channel/ Function	Operation	Parameters	Default value	Description
	4.0s	128 to 143		
	5.0s	144 to 159		
	7.0s	160 to 175		
	10.0s	176 to 191		
	Non-operational	192 to 255		
17 Light Source Control	0% - 100% (1% increments)	0 to 255	255	Executes LUMLEVEL command for the specified brightness level when selecting 100-8%. Executes A/V Mute when selecting less than 8%. Fade-in/Fade-out settings are ignored.
18 Content playback	Non-operational	0 to 3	0	Plays the specified playlist.
	Playlist 1	4 to 7		
	Playlist 2	8 to 11		
	Playlist 3	12 to 15		
	Playlist 4	16 to 19		
	Playlist 5	20 to 23		
	Playlist 6	24 to 27		

Channel/ Function	Operation	Parameters	Default value	Description
	Playlist 7	28 to 31		
	Playlist 8	32 to 35		
	Playlist 9	36 to 39		
	Playlist 10	40 to 43		
	Playlist 11	44 to 47		
	Playlist 12	48 to 51		
	Playlist 13	52 to 55		
	Playlist 14	56 to 59		
	Playlist 15	60 to 63		
	Playlist 16	64 to 67		
	Playlist 17	68 to 71		
	Playlist 18	72 to 75		
	Playlist 19	76 to 79		
	Playlist 20	80 to 83		
	Playlist 21	84 to 87		
	Playlist 22	88 to 91		
	Playlist 23	92 to 95		
	Playlist 24	96 to 99		
	Playlist 25	100 to 103		
	Playlist 26	104 to 107		
	Playlist 27	108 to 111		
	Playlist 28	112 to 115		

Channel/ Function	Operation	Parameters	Default value	Description
	Playlist 29	116 to 119		
	Playlist 30	120 to 123		
	Playlist 31	124 to 127		
	Playlist 32	128 to 131		
	Playlist 33	132 to 135		
	Playlist 34	136 to 139		
	Playlist 35	140 to 143		
	Playlist 36	144 to 147		
	Playlist 37	148 to 151		
	Playlist 38	152 to 155		
	Playlist 39	156 to 159		
	Playlist 40	160 to 163		
	Playlist 41	164 to 167		
	Playlist 42	168 to 171		
	Playlist 43	172 to 175		
	Playlist 44	176 to 179		
	Playlist 45	180 to 183		
	Playlist 46	184 to 187		
	Playlist 47	188 to 191		
	Playlist 48	192 to 195		
	Playlist 49	196 to 199		
	Playlist 50	200 to 203		

Channel/ Function	Operation	Parameters	Default value	Description
	Non-operational	204 to 255		

When controlling the projector using Art-Net and operating the projector using the remote control or control panel, the settings and projector status for the DMX controller or application system may differ. When you want to control all channels in the projector, set channel 13 to "Cannot operate", and then return it to "Can operate".

Copyright Notice

All rights reserved. No part of this publication may be reproduced, stored in a retrieval system, or transmitted in any form or by any means, electronic, mechanical, photocopying, recording, or otherwise, without the prior written permission of Seiko Epson Corporation. No patent liability is assumed with respect to the use of the information contained herein. Neither is any liability assumed for damages resulting from the use of the information contained herein.

Neither Seiko Epson Corporation nor its affiliates shall be liable to the purchaser of this product or third parties for damages, losses, costs, or expenses incurred by the purchaser or third parties as a result of: accident, misuse, or abuse of this product or unauthorized modifications, repairs, or alterations to this product, or (excluding the U.S.) failure to strictly comply with Seiko Epson Corporation's operating and maintenance instructions.

Seiko Epson Corporation shall not be liable against any damages or problems arising from the use of any options or any consumable products other than those designated as Original Epson Products or Epson Approved Products by Seiko Epson Corporation.

The contents of this guide may be changed or updated without further notice.

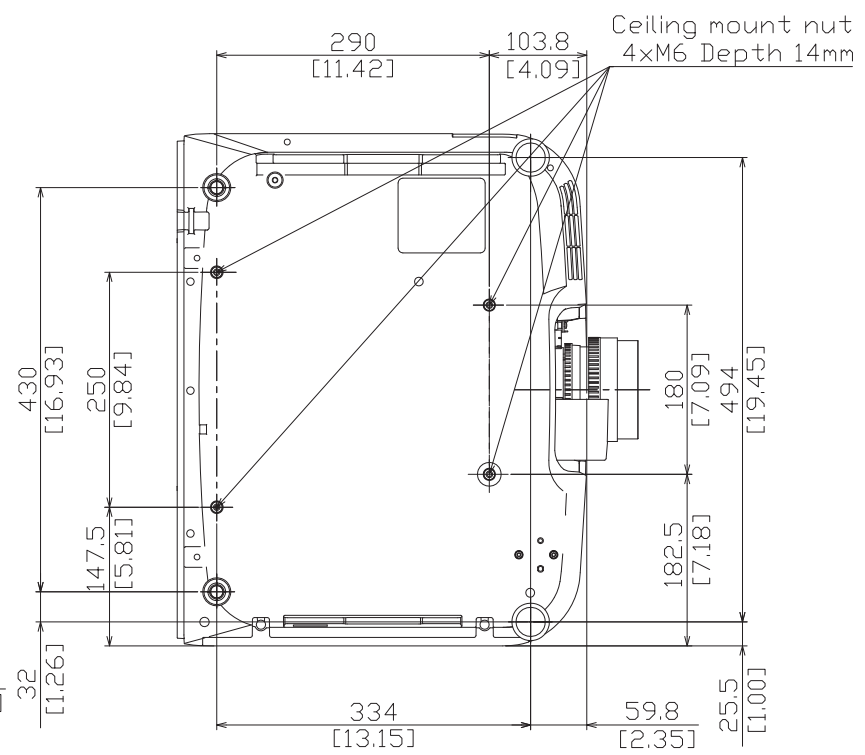
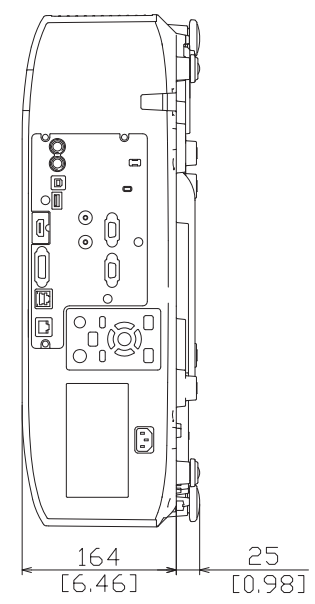
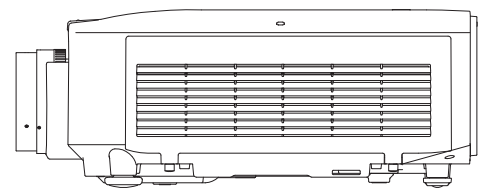
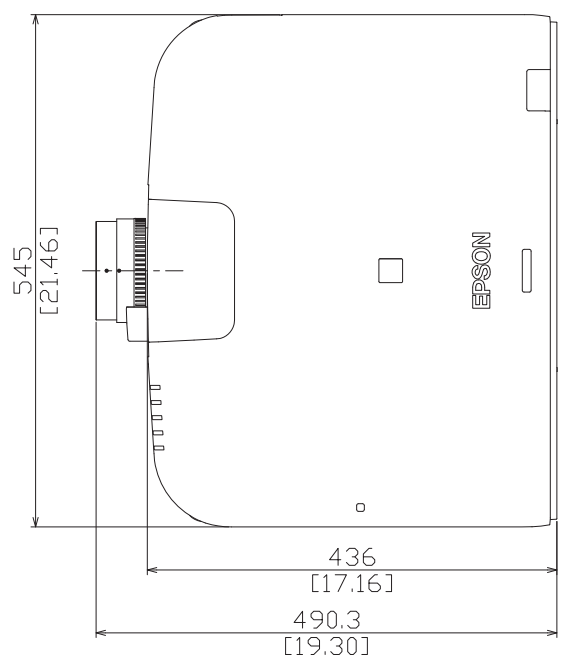
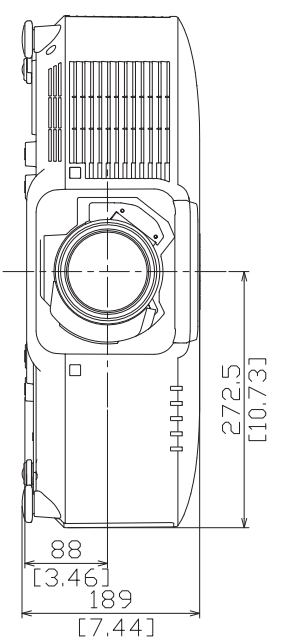
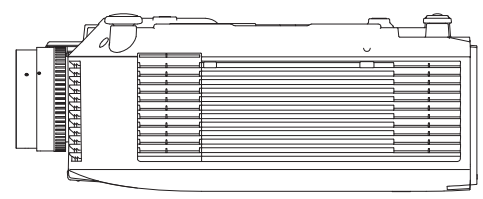
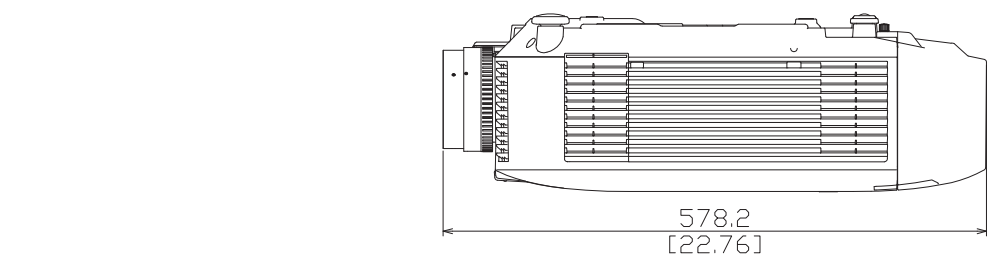
Illustrations in this guide and the actual projector may differ.

External Dimensions

Check these sections for the external dimensions about your product.

EB-PU2010B/EB-PU2010W

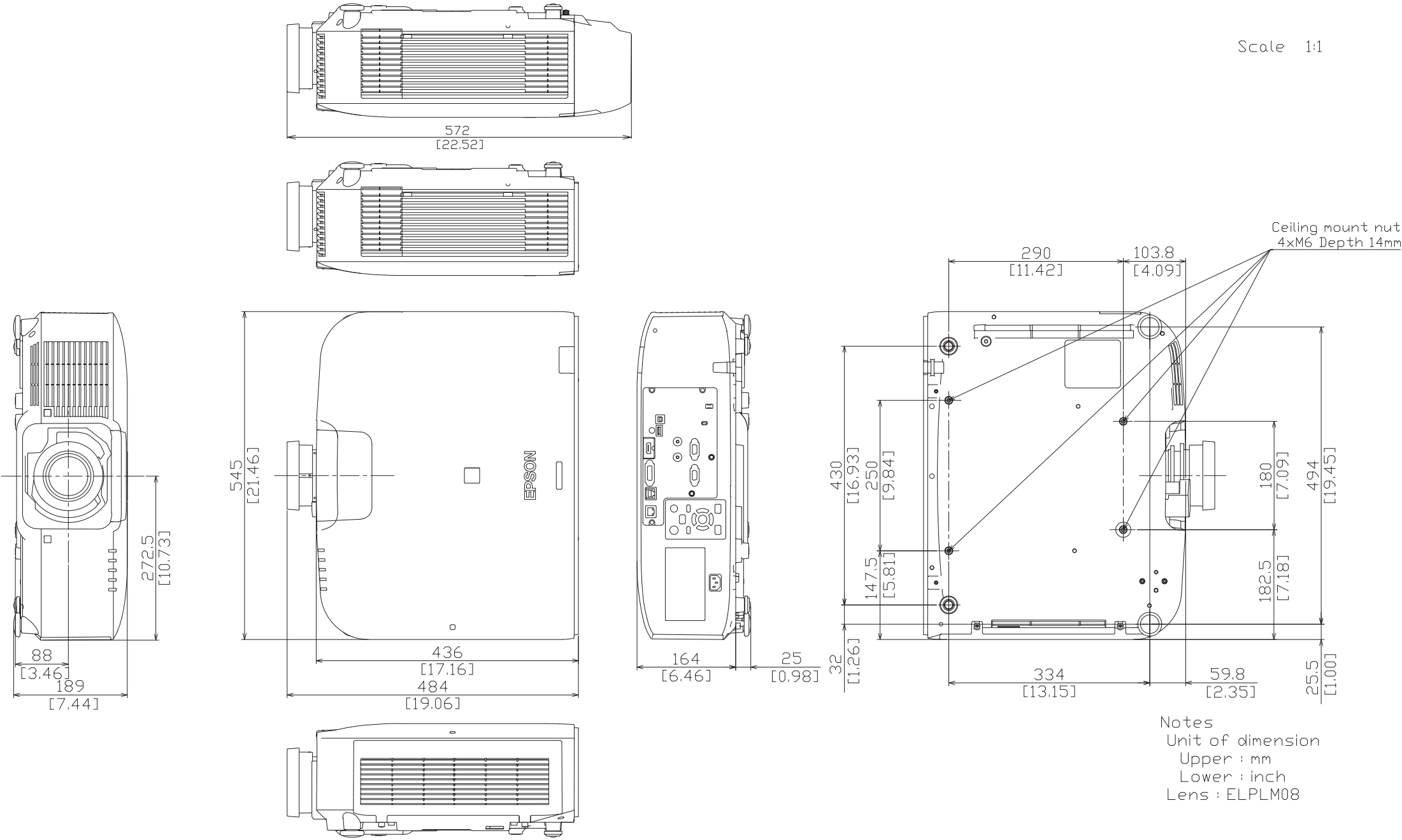
Scale 1:1



Notes
Unit of dimension
Upper : mm
Lower : inch
Lens : ELPLM15

EB-PU1008B/EB-PU1008W/EB-PU1007B/EB-PU1007W/EB-PU1006W

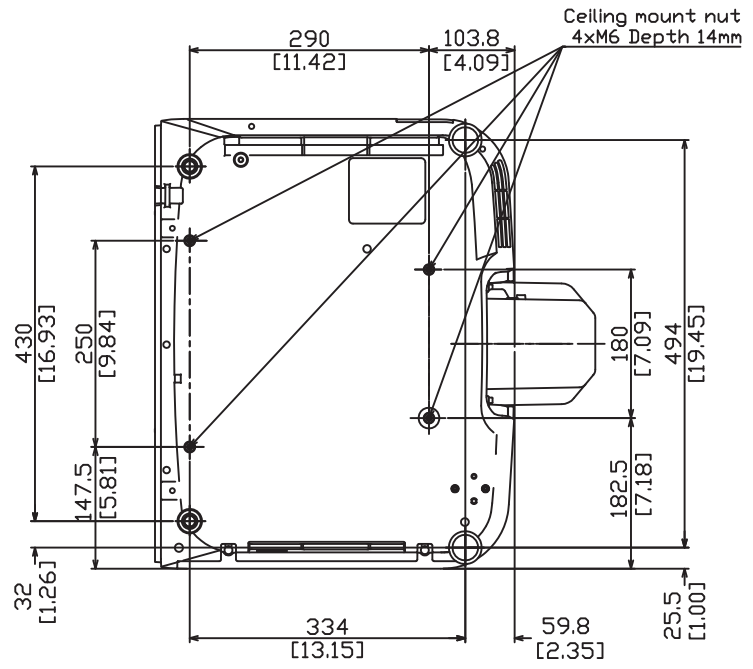
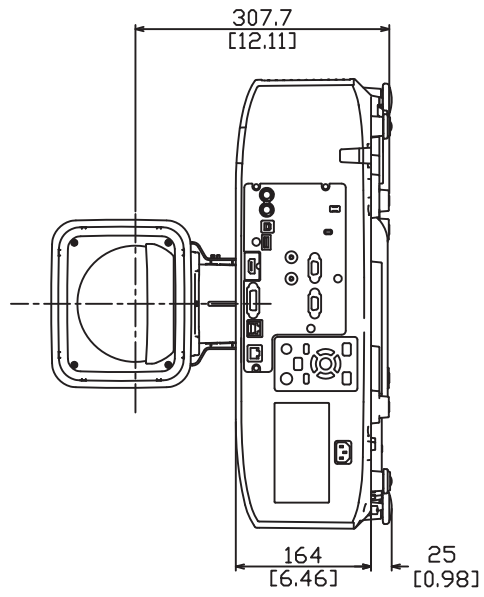
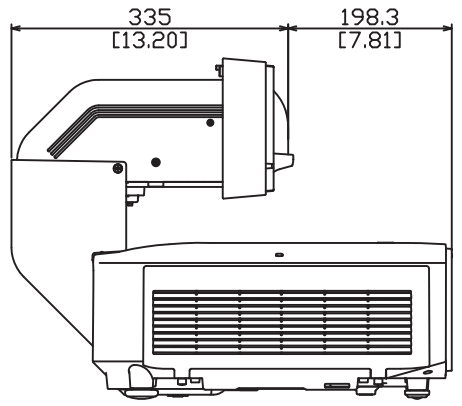
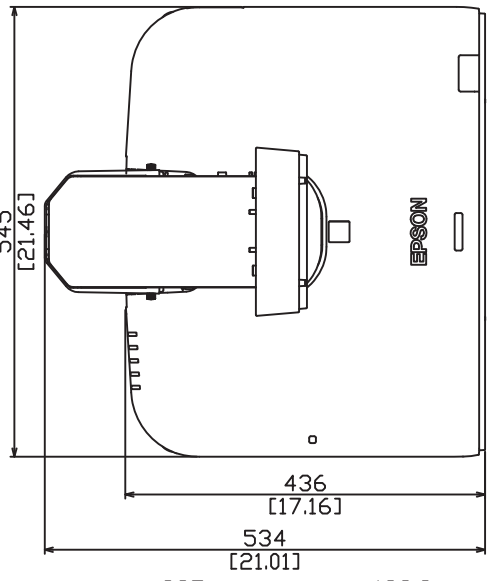
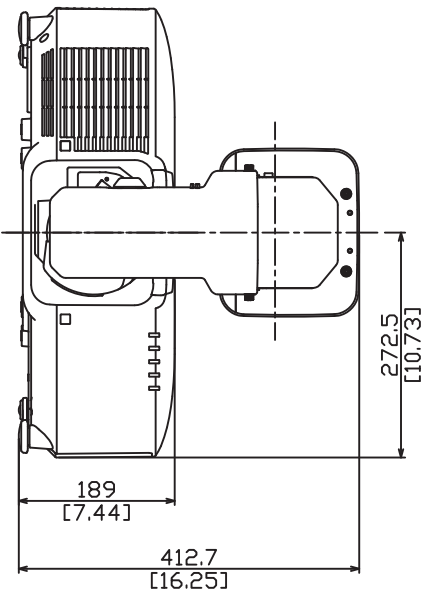
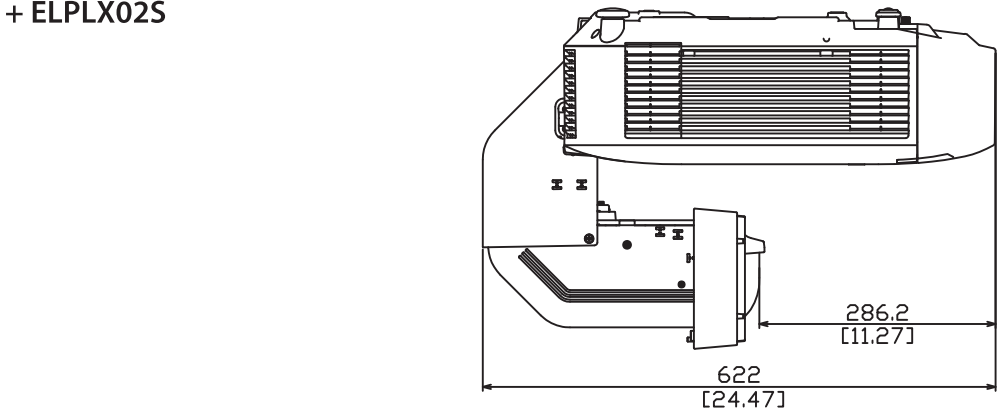
Scale 1:1



Notes
 Unit of dimension
 Upper : mm
 Lower : inch
 Lens : ELPLM08

EB-PU2010B/EB-PU2010W
+ ELPLX02S

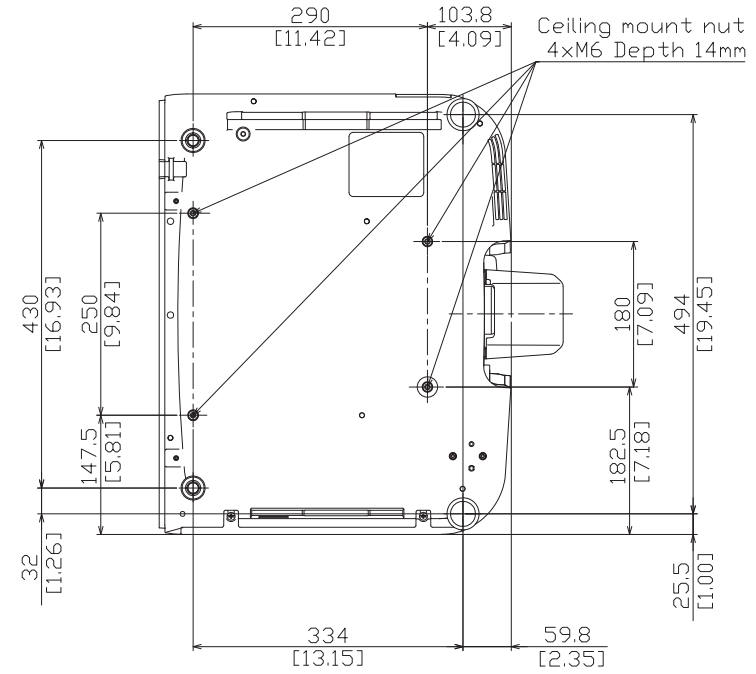
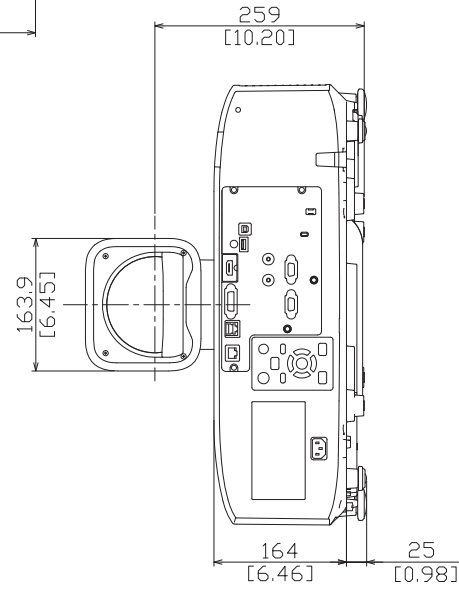
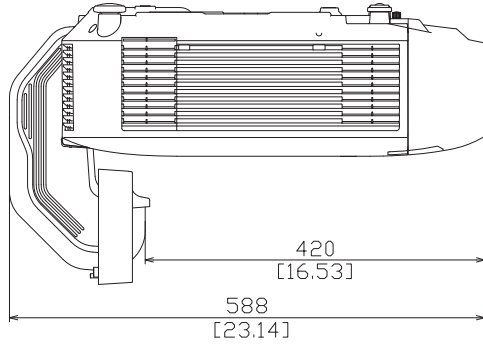
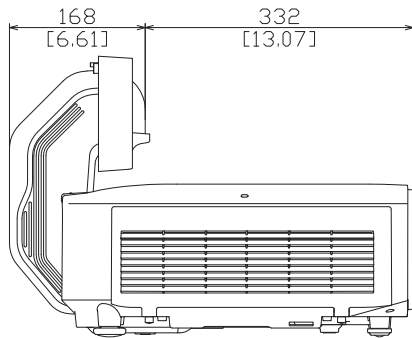
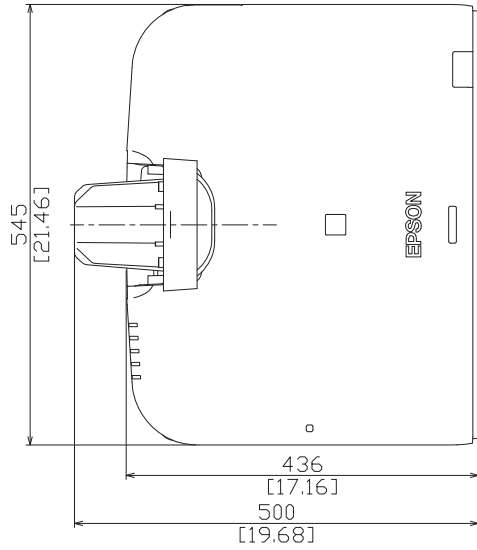
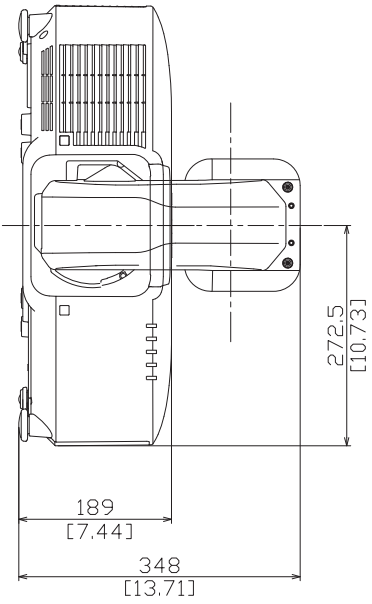
Scale 1:1



Notes
Unit of dimension
Upper : mm
Lower : inch

EB-PU1008B/EB-PU1008W/EB-PU1007B/EB-PU1007W/EB-PU1006W
+ ELPLX01S

Scale 1:1

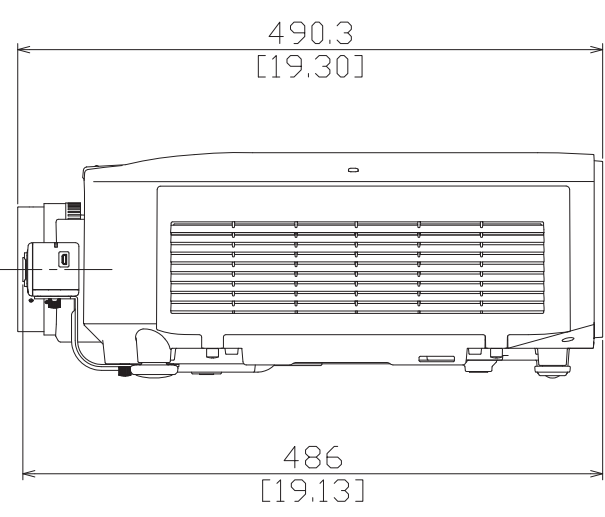
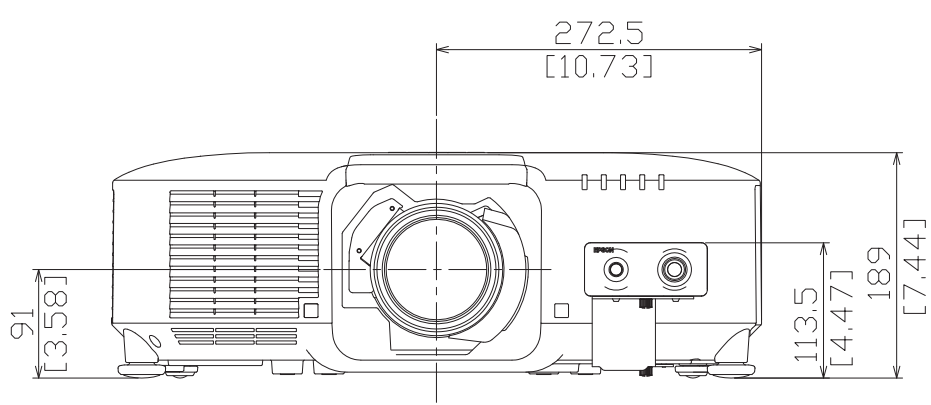
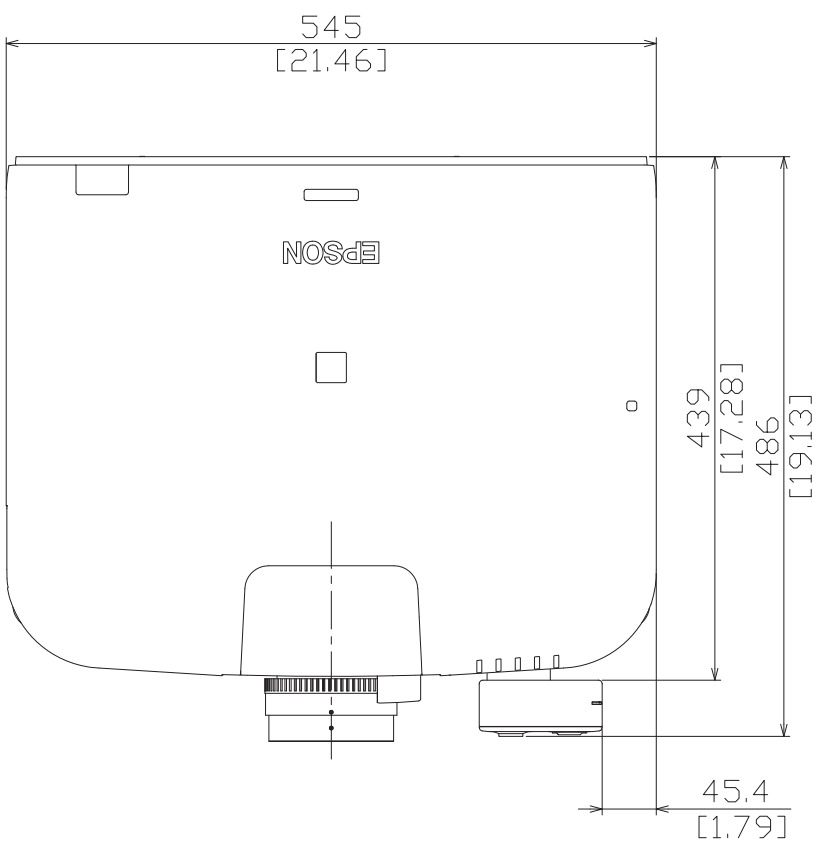


Notes
Unit of dimension
Upper : mm
Lower : inch
Lens : ELPLX01S

EB-PU2010B/EB-PU2010W
+ ELPEC01

Scale 1:1

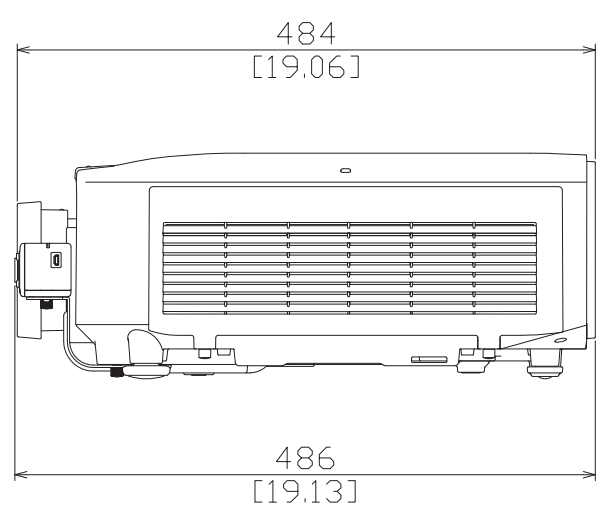
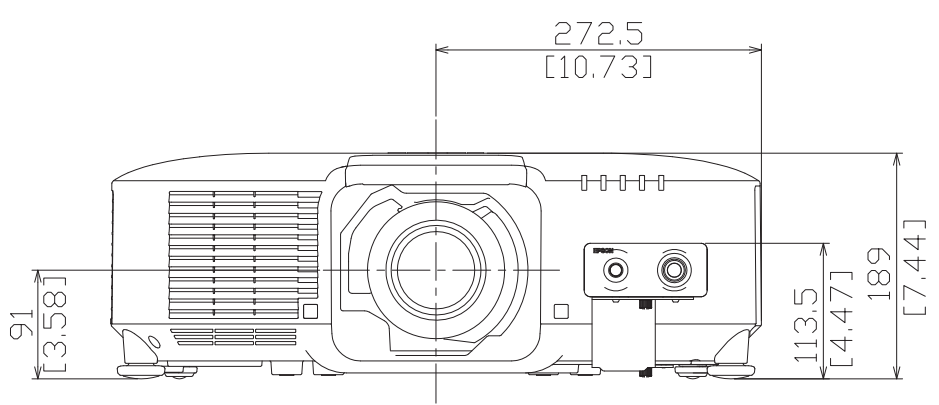
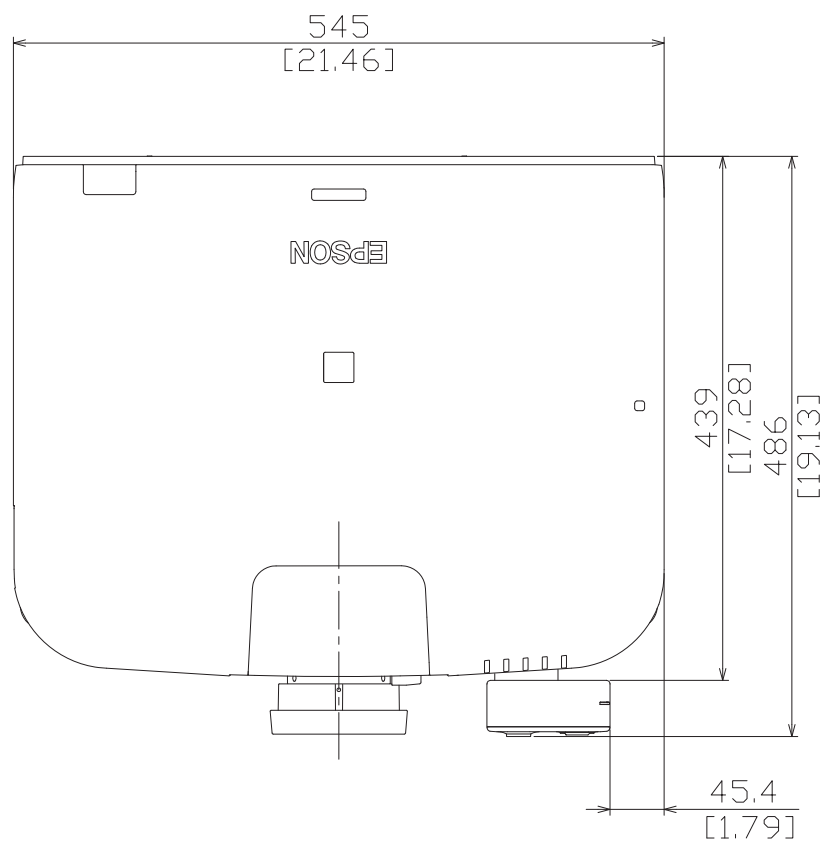
Notes
Unit of dimension
Upper : mm
Lower : inch
Lens : ELPLM15



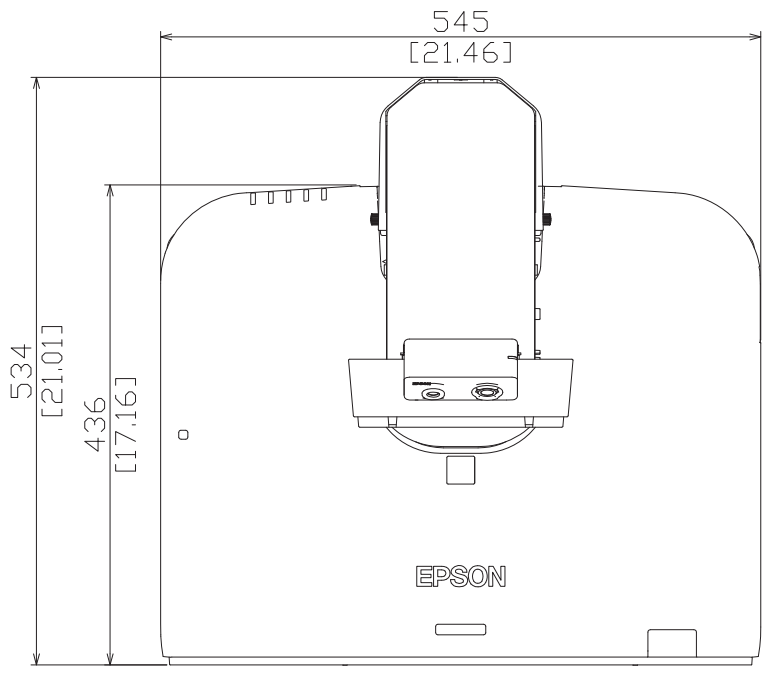
EB-PU1008B/EB-PU1008W/EB-PU1007B/EB-PU1007W/EB-PU1006W
+ ELPEC01

Scale 1:1

Notes
Unit of dimension
Upper : mm
Lower : inch
Lens : ELPLM08

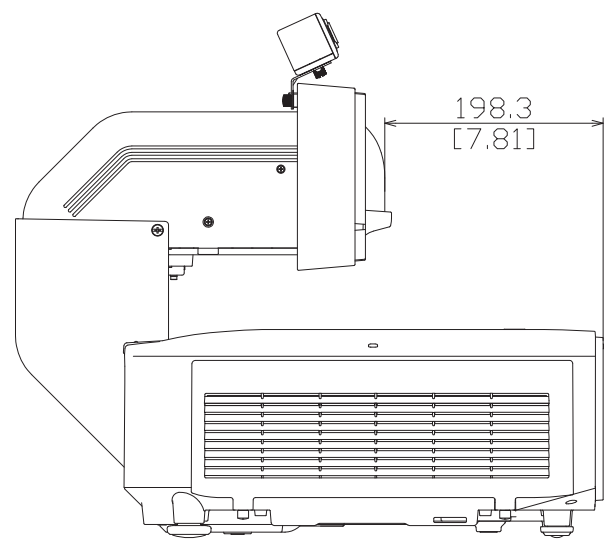
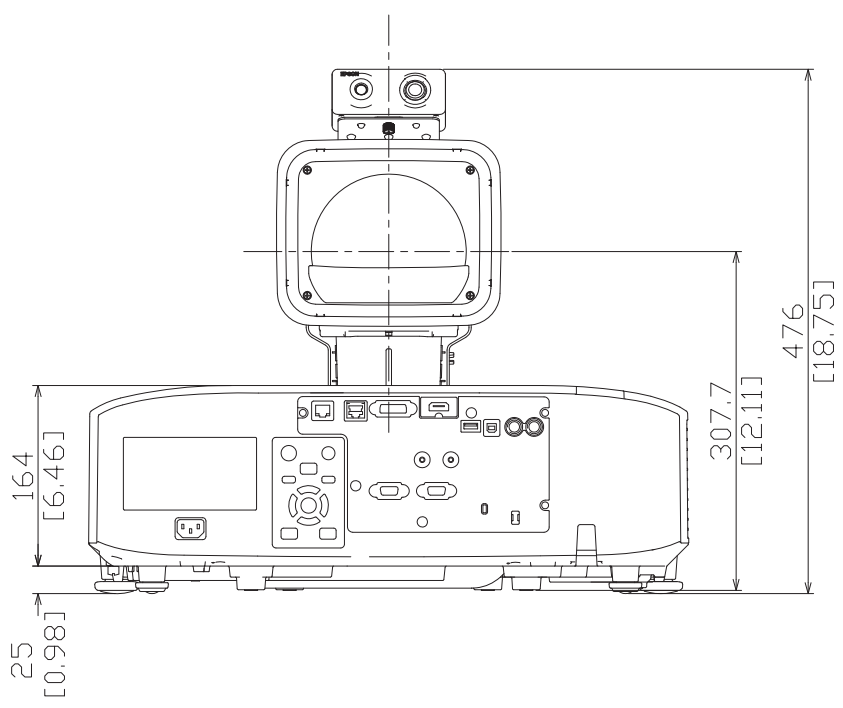


EB-PU2010B/EB-PU2010W
+ ELPLX02S + ELPEC01

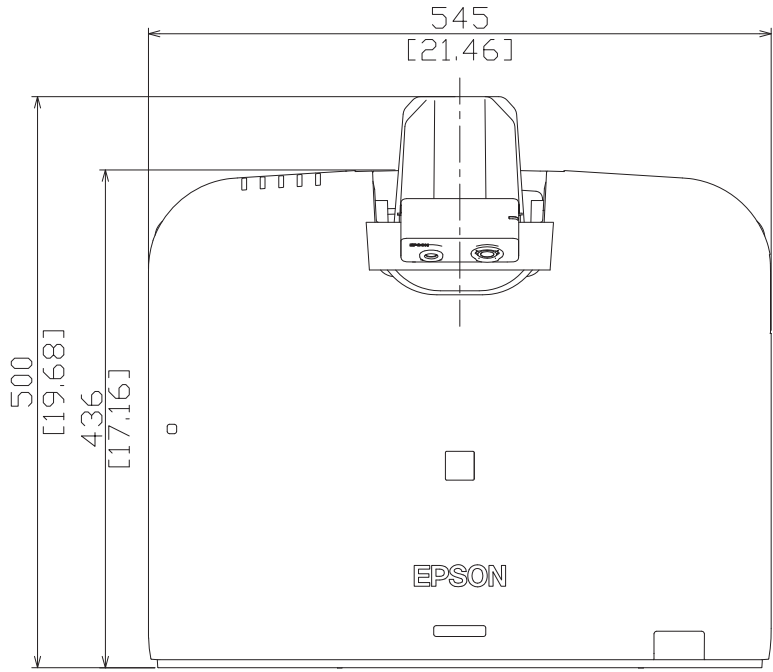


Scale 1:1

Notes
Unit of dimension
Upper : mm
Lower : inch

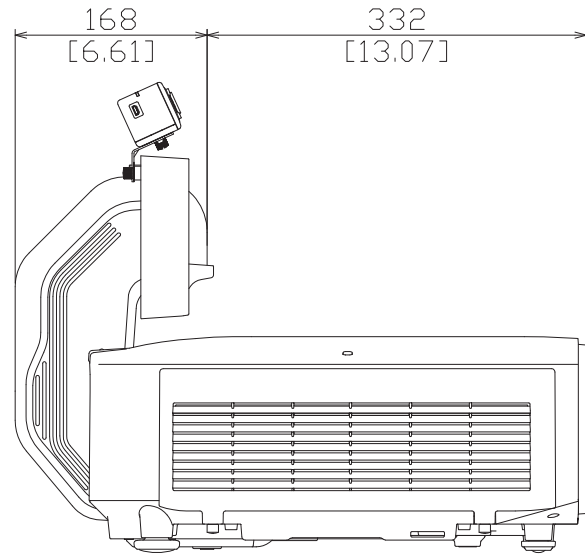
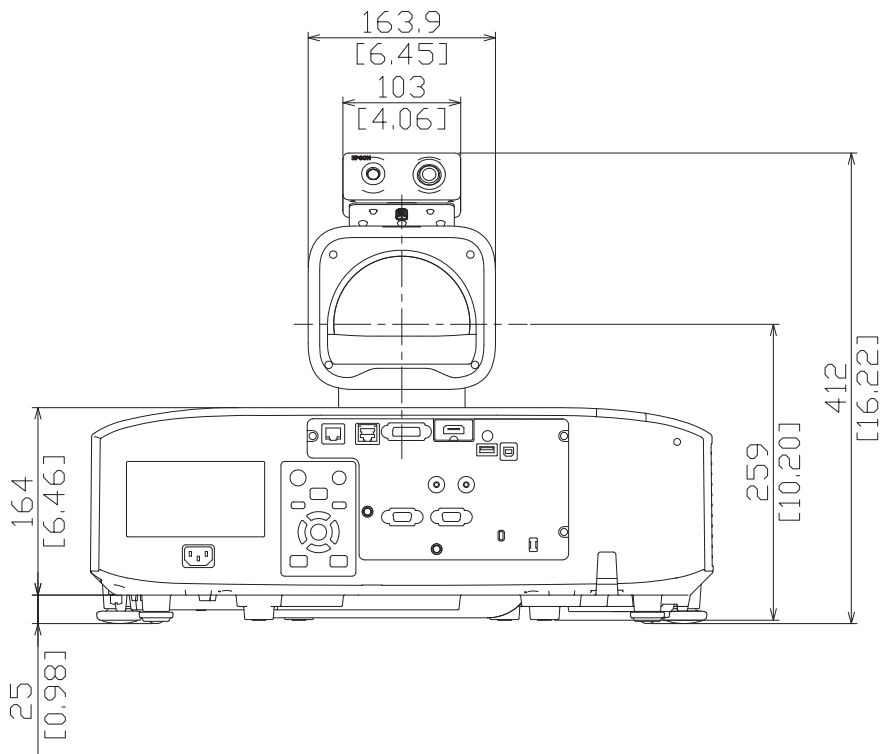


EB-PU1008B/EB-PU1008W/EB-PU1007B/EB-PU1007W/EB-PU1006W
 + ELPLX01S + ELPEC01

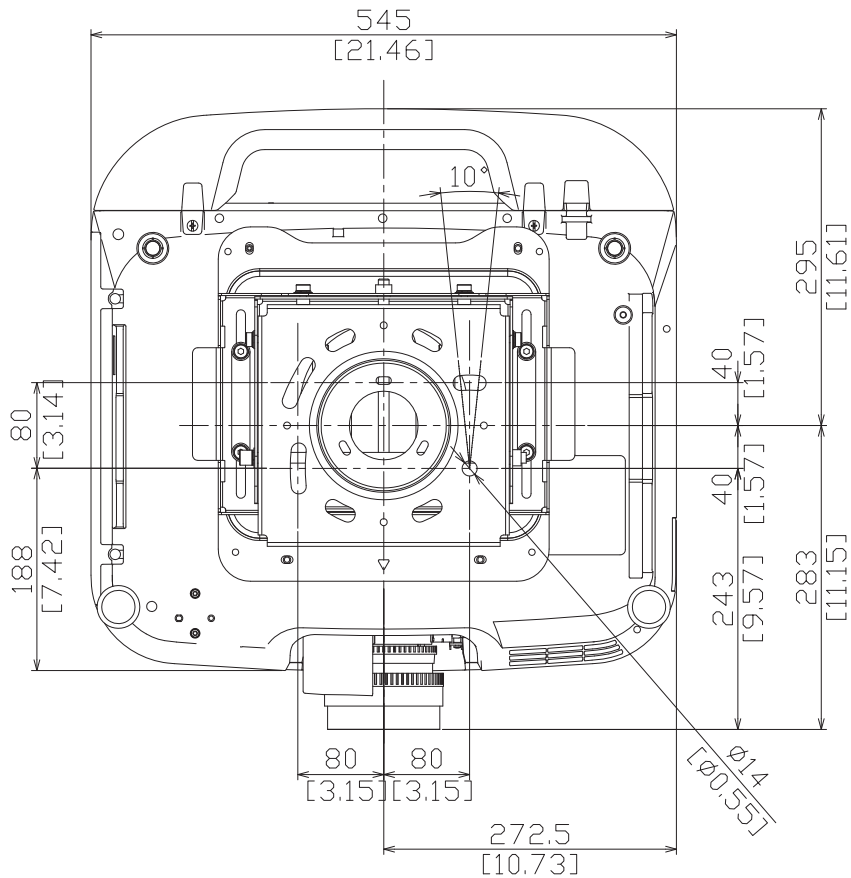


Scale 1:1

Notes
 Unit of dimension
 Upper : mm
 Lower : inch
 Lens : ELPLX01S

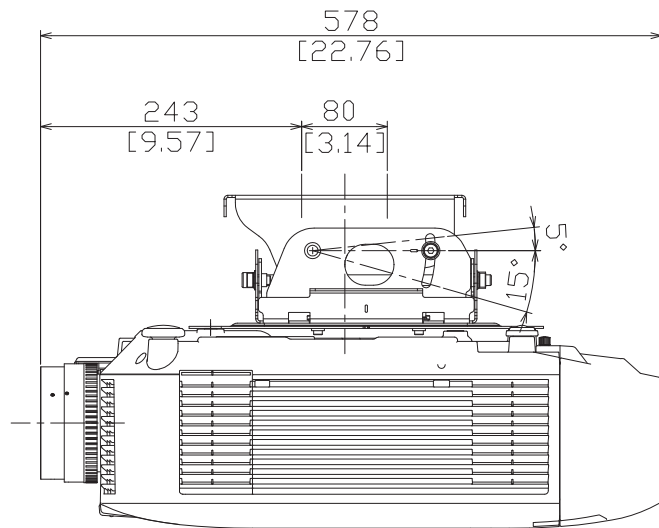
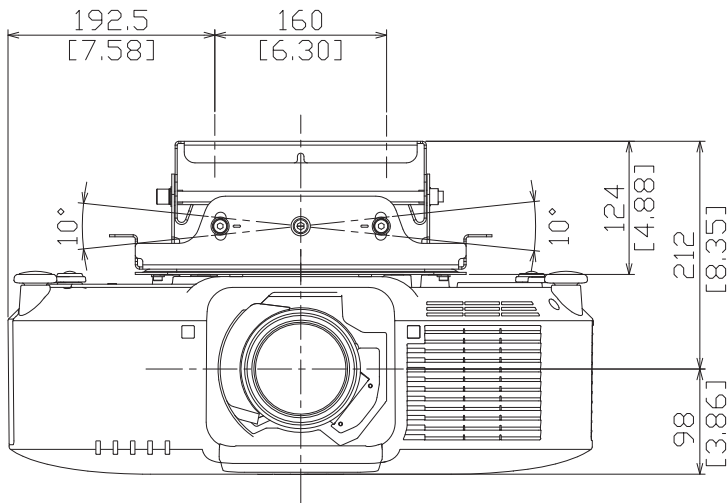


**EB-PU2010B/EB-PU2010W
+ ELPMB67**

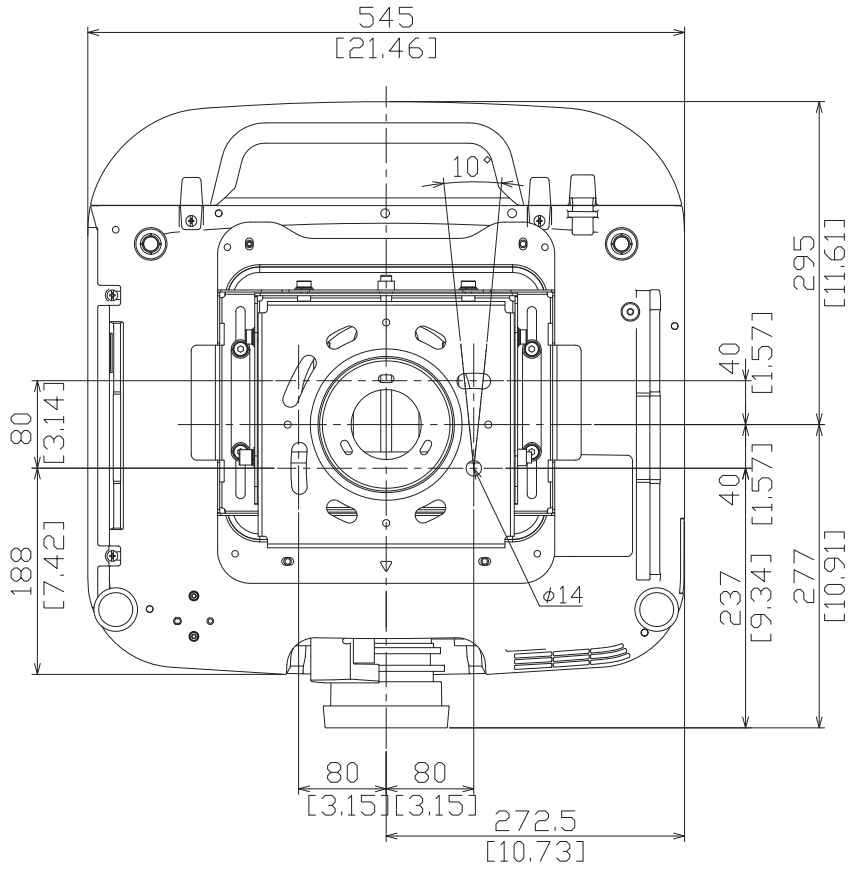


Scale 1:1

Notes
Unit of dimension
Upper: mm
Lower: inch
Lens ELPLM15

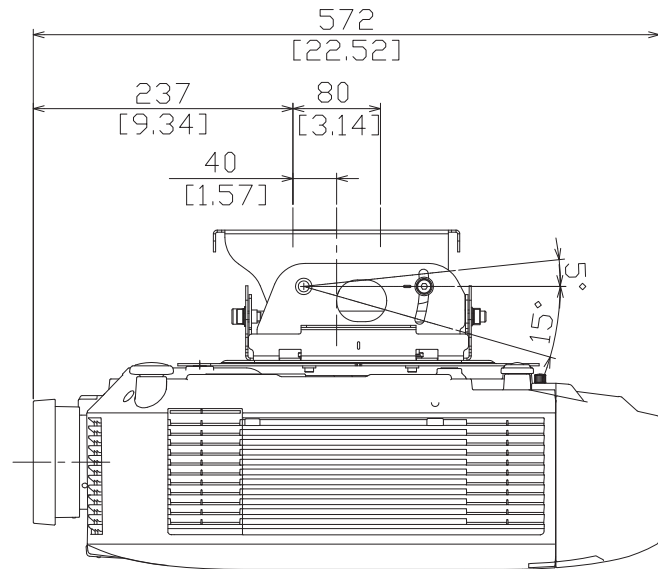
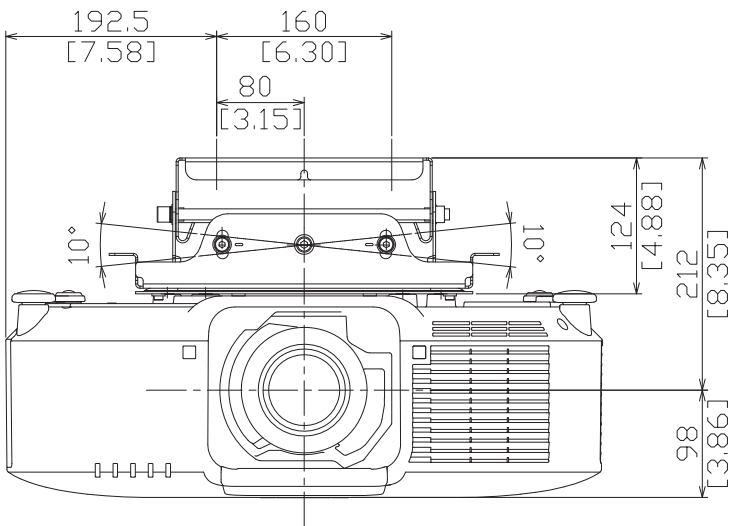


EB-PU1008B/EB-PU1008W/EB-PU1007B/EB-PU1007W/EB-PU1006W
 + ELPMB67

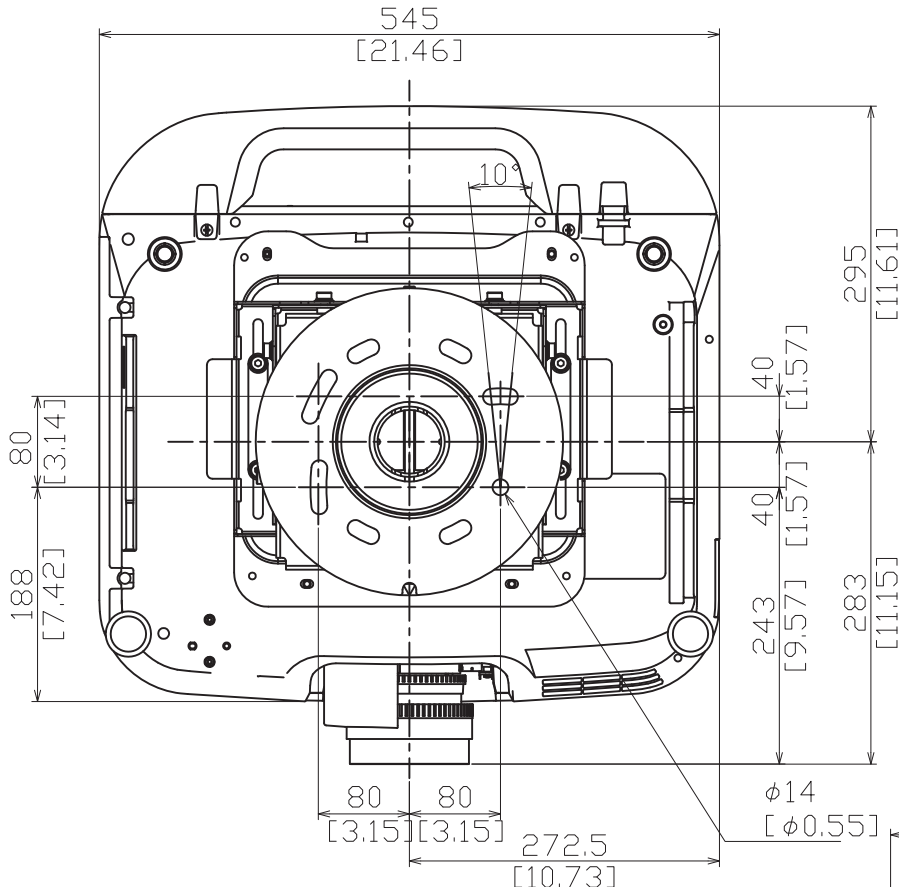


Scale 1:1

Notes
 Unit of dimension
 Upper : mm
 Lower : inch
 Lens : ELPLM08

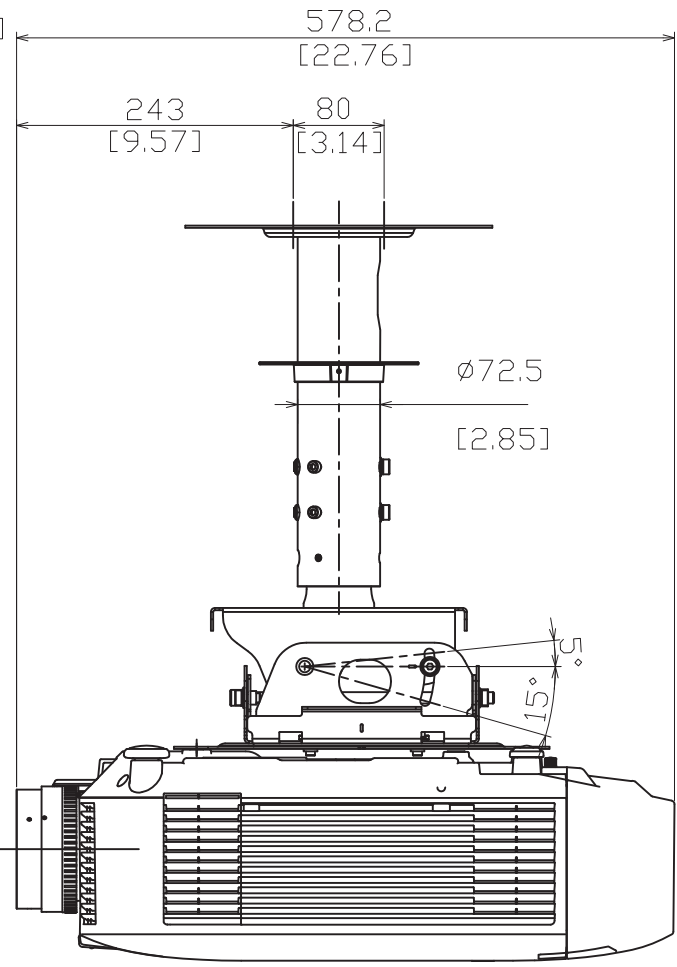
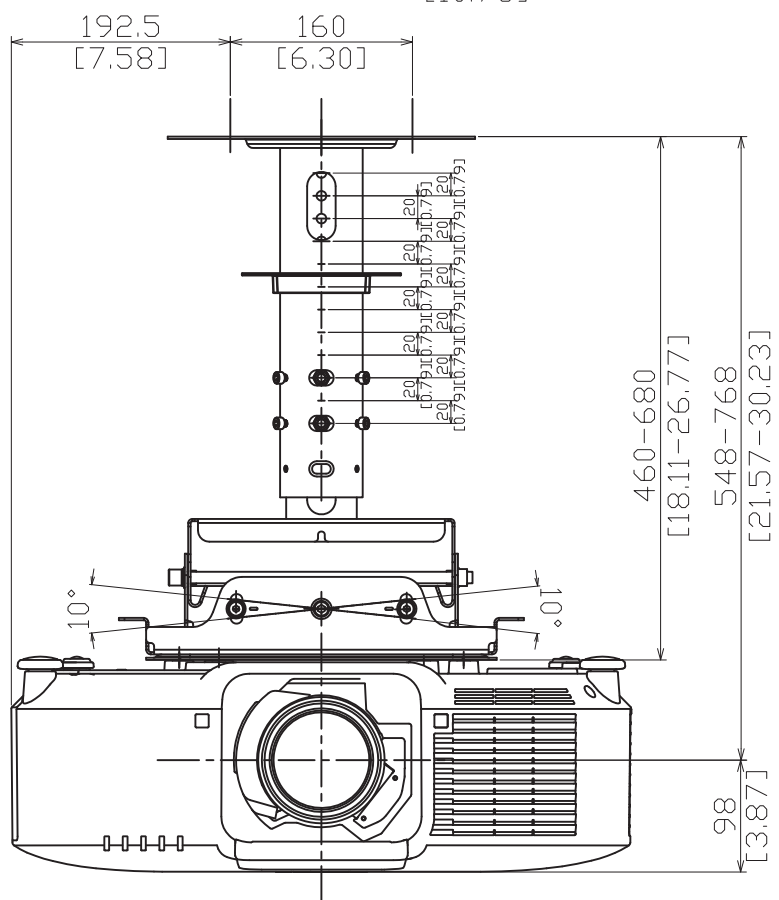


EB-PU2010B/EB-PU2010W
+ ELPMB67 + ELPFP15

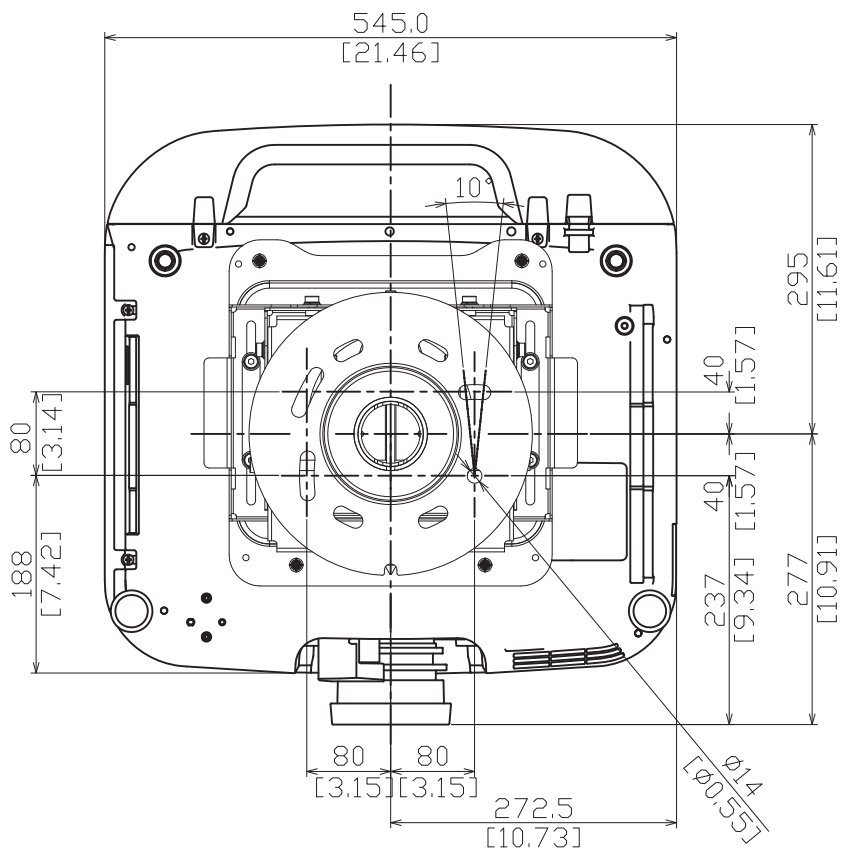


Scale 1:1

Notes
 Unit of dimension
 Upper : mm
 Lower : inch
 Lens : ELPLM15

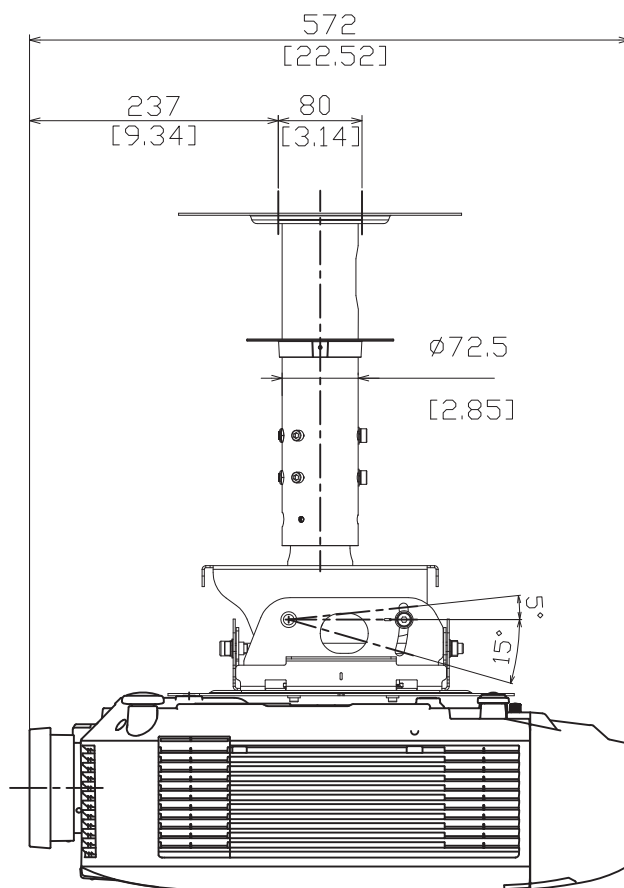
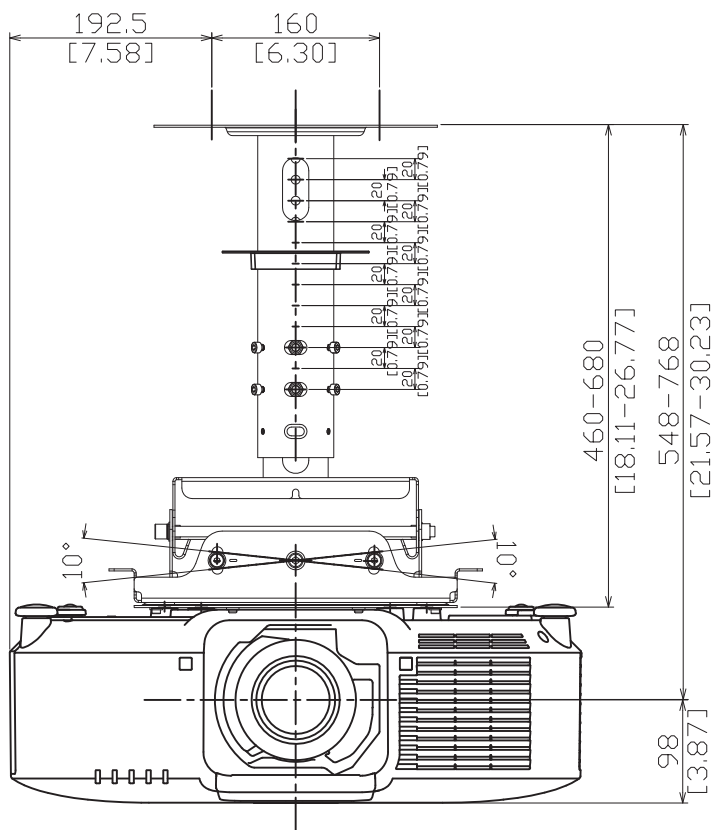


EB-PU1008B/EB-PU1008W/EB-PU1007B/EB-PU1007W/EB-PU1006W
+ ELPMB67 + ELPFP15

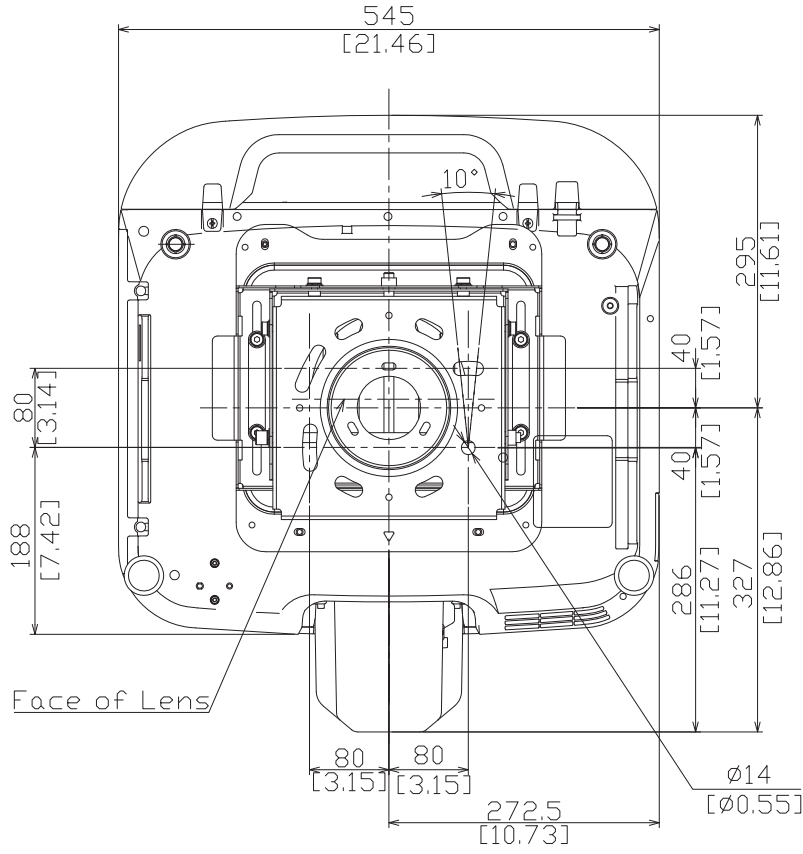


Scale 1:1

Notes
Unit of dimension
Upper : mm
Lower : inch
Lens : ELPLM08

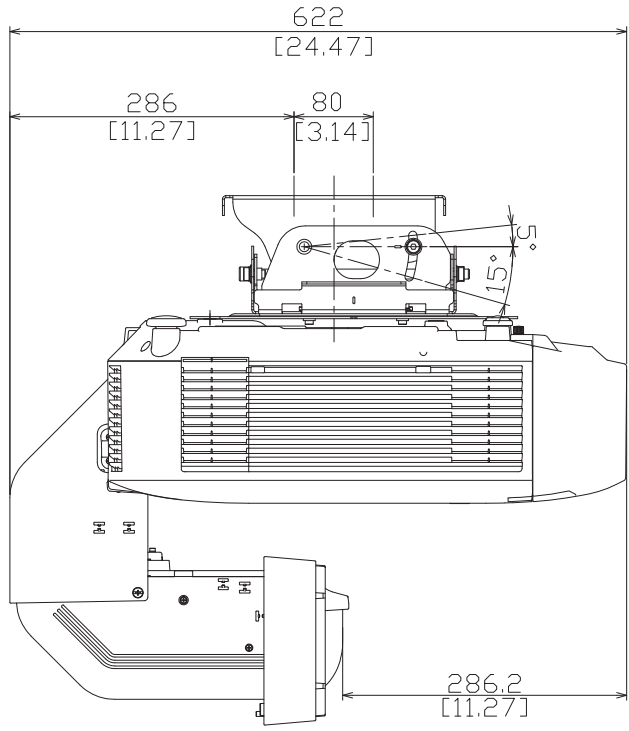
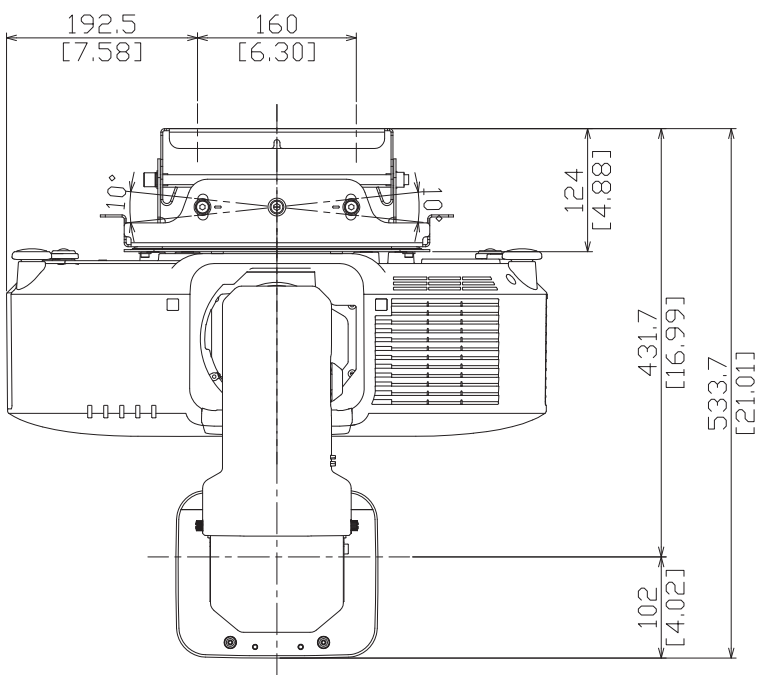


EB-PU2010B/EB-PU2010W
+ ELPLX02S + ELPMB67

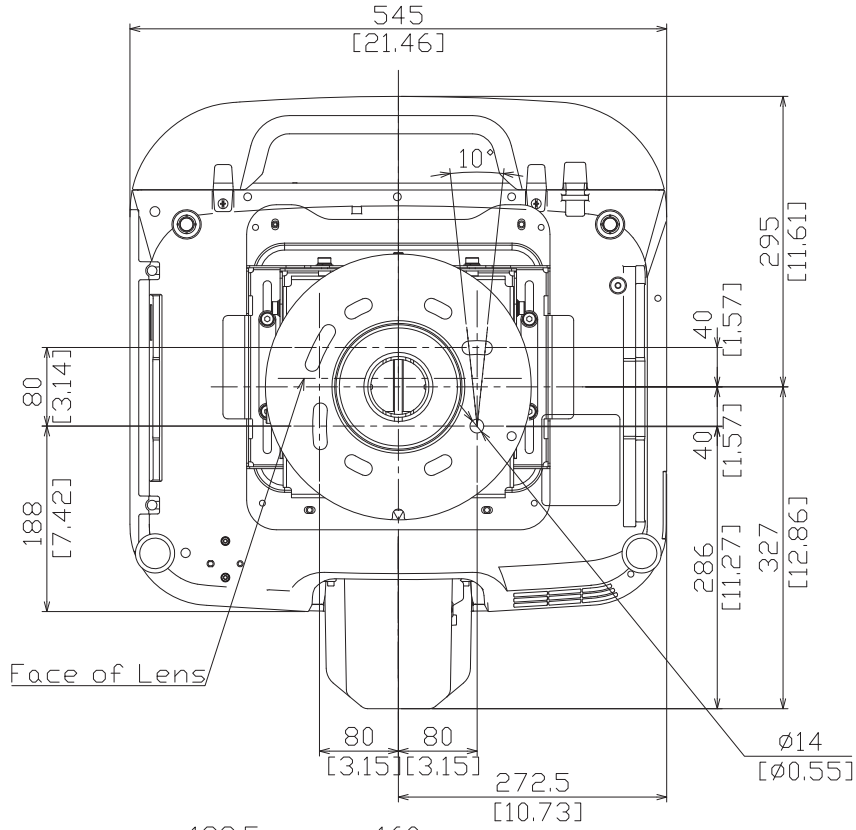


Scale 1:1

Notes
 Unit of dimension
 Upper : mm
 Lower : inch

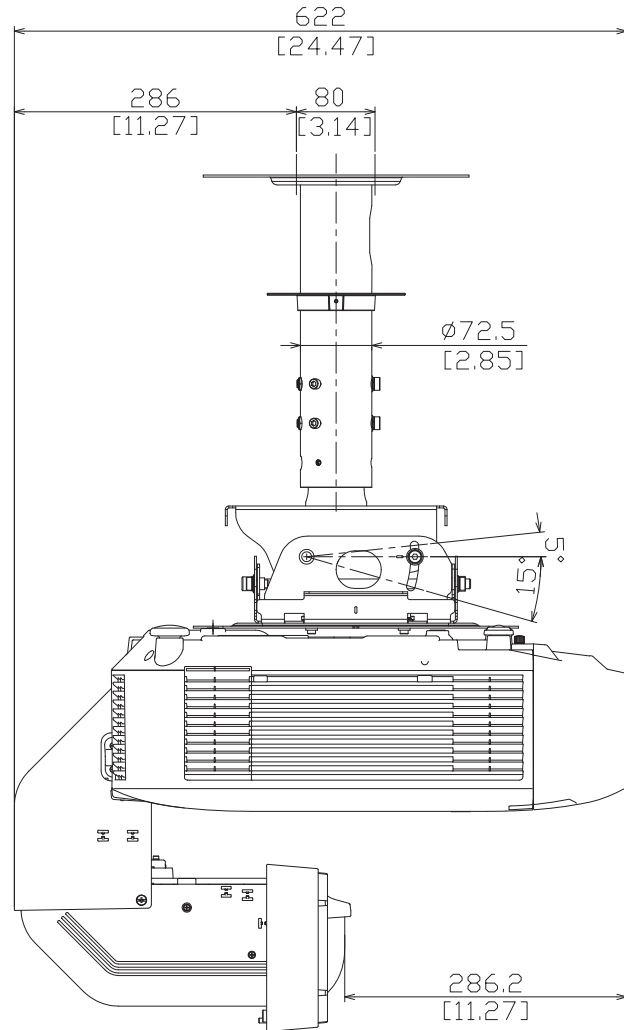
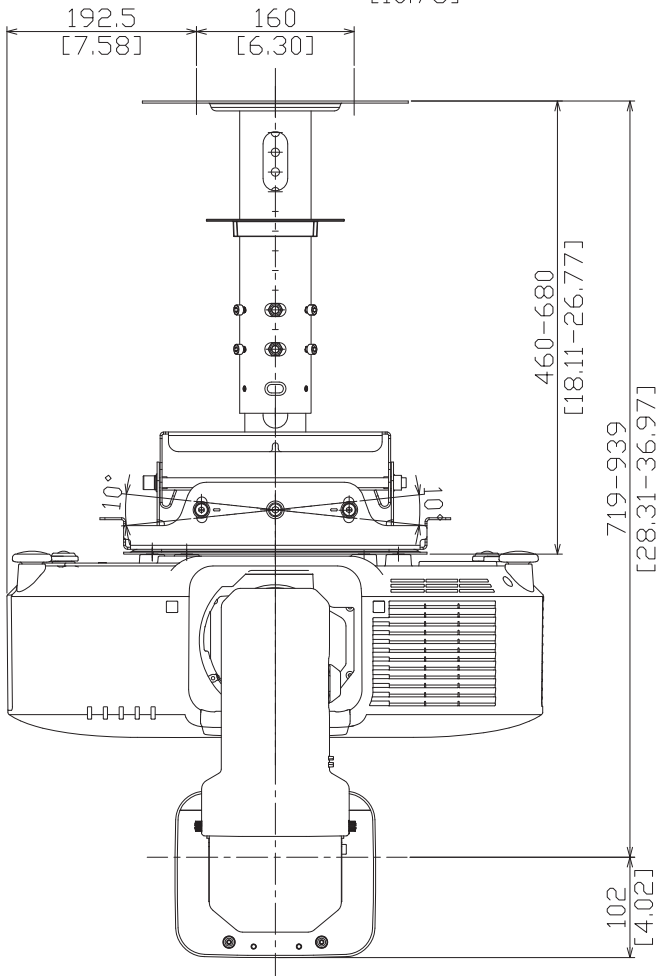


EB-PU2010B/EB-PU2010W
+ ELPLX02S + ELPMB67 + ELPFP15

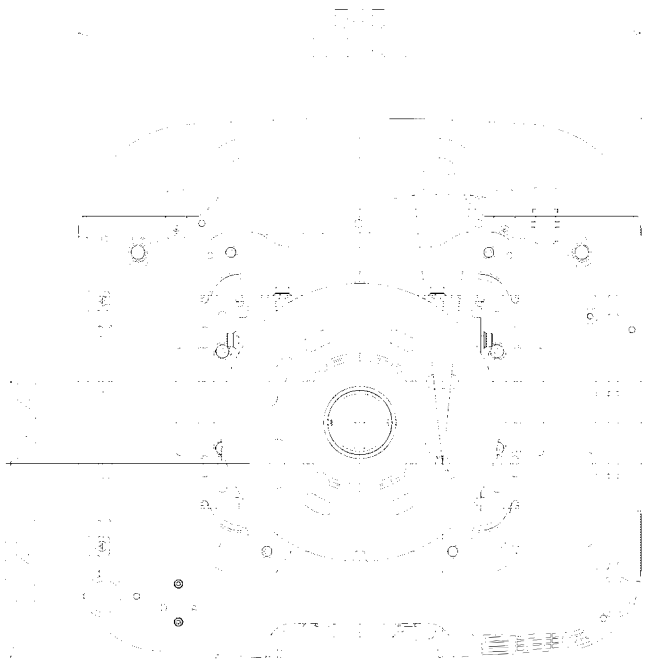


Scale 1:1

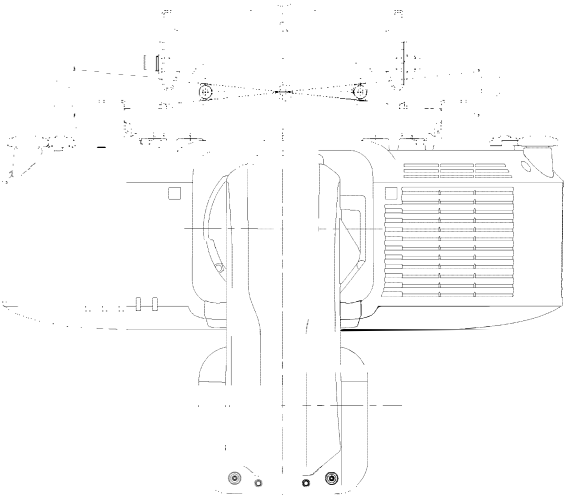
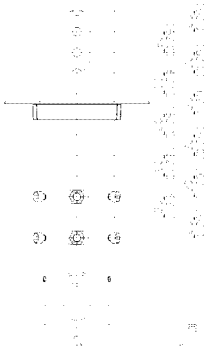
Notes
 Unit of dimension
 Upper : mm
 Lower : inch



EB-PU1008B/EB-PU1008W/EB-PU1007B/EB-PU1007W/EB-PU1006W
 + ELPLX01S + ELPMB67 +ELPPF15

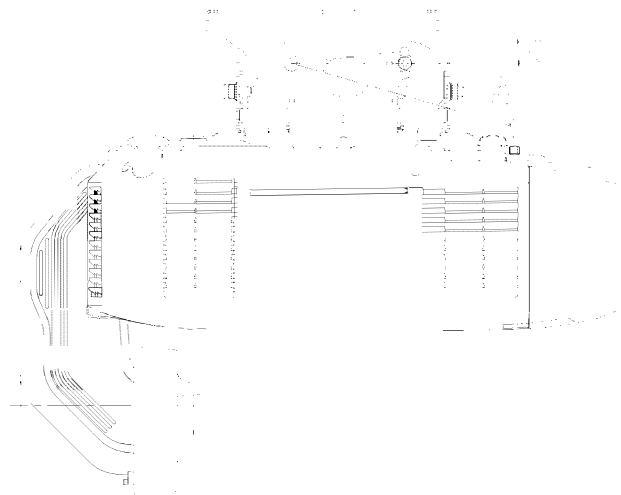
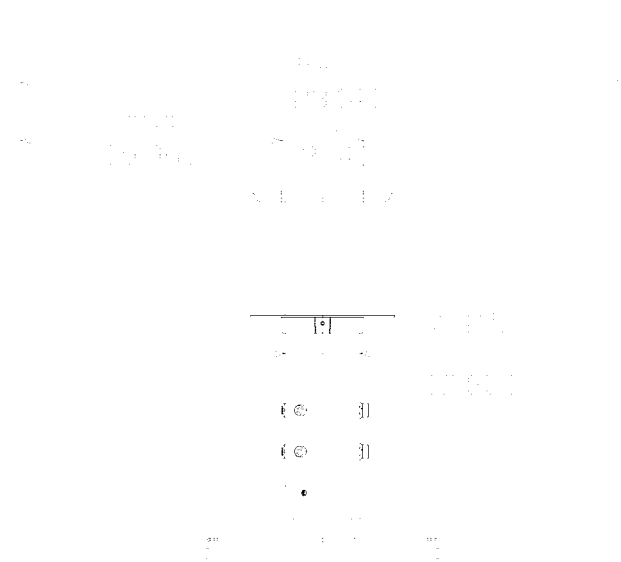


Face of



12.831

86
 10.081



10.081

420
 16.531