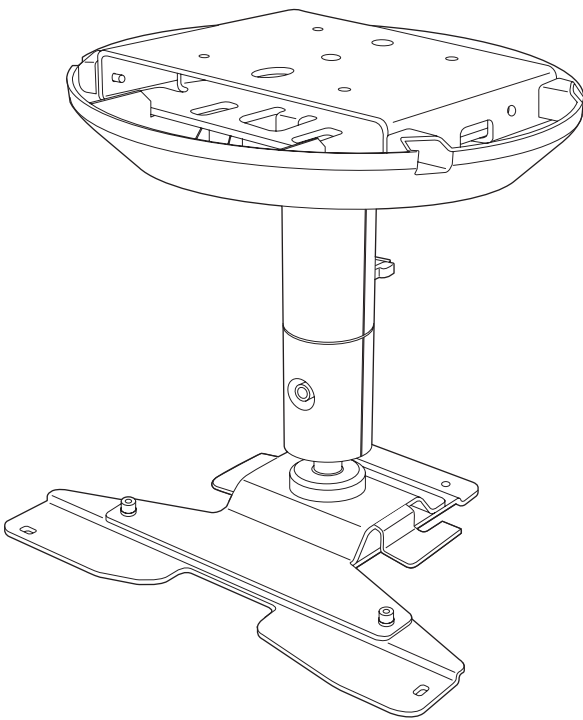


ELPMB60



Installation Guide —●

English

Guide d'installation —●

Français

Installationsanleitung —●

Deutsch

Guida di installazione —●

Italiano

Guía de instalación —●

Español

Manual de instalação —●

Português

安裝手冊 —●

简体中文

安裝說明書 —●

繁體中文

설치 가이드 —●

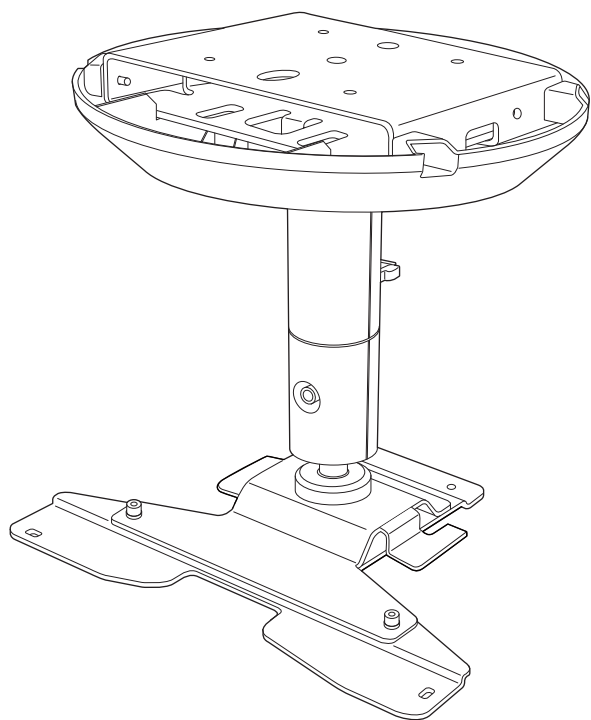
한국어

設置工事説明書 —●

日本語

ELPMB60

Installation Guide



Safety Instructions

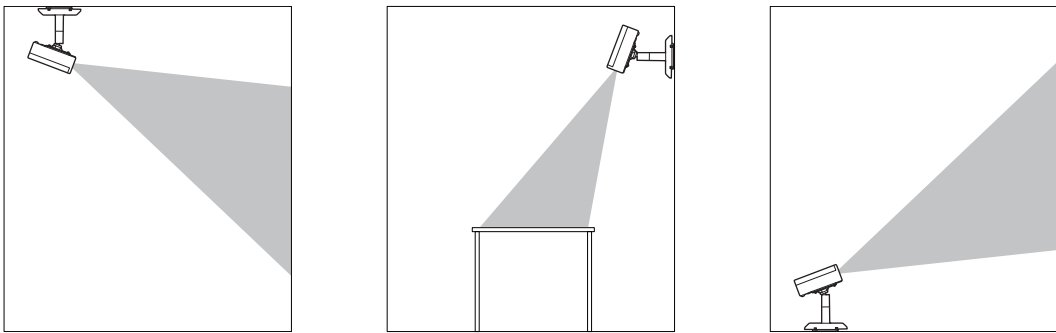
This guide explains how to install the projector on the ceiling, on a wall, or on the floor using the ELPMB60 ceiling mount/floor stand supplied.

Make sure you read this guide carefully to use the installation mounts and the projector safely. Incorrect handling that ignores instructions in this guide could damage this product or could result in personal injury or property damage. Keep this installation guide at hand for future reference.

Regarding how to handle the projector, read the *User's Guide* and *Safety Instructions* supplied with your projector and follow the instructions in these documents.

Type of Installation



This product can be installed on the ceiling, on a wall, or on the floor.






Safety Indications

The documentation and this product use graphical symbols to show how to use this product safely and correctly to prevent injury to customers and others, and damage to property.














The indications and their meaning are as follows. Make sure you understand them properly before reading the guide.






Symbol	Explanation
 Warning	This symbol indicates information that, if ignored, could possibly result in personal injury or even death due to incorrect handling.
 Caution	This symbol indicates information that, if ignored, could possibly result in personal injury or physical damage due to incorrect handling.

General Information Indications









Symbols	Explanation
	Symbol indicating an action that must not be done
	Symbol indicating an action that should be done
	Symbol indicating related or useful information








Precautions on Installing the Projector

 Warning	
<p>Installing the projector should only be performed by a professional with the necessary skills and know-how.</p> <p>If installation work is not carried out correctly, the mount or the projector could fall or topple over causing injury or accident to occur.</p>	
<p>Follow the instructions in this guide when performing installation work.</p> <p>If the instructions are not followed, the mount or the projector could fall or topple over causing injury or accident to occur.</p>	
<p>Check that the structure and material of the installation location are strong enough before installing, and use the optimum installation method.</p> <p>If work is not carried out correctly, the mount or the projector could fall or topple over causing injury or accident to occur.</p>	
<p>Installing on the ceiling or wall should be performed by at least two people. Also, make sure you have a secure, stable footing so that you do not drop the mount or the projector.</p>	
<p>When installing in a high location such as a ceiling, wall, or on a shelf, make sure you attach the safety wire supplied to the mount and the projector to prevent the projector from falling.</p>	
<p>Do not attach anything to this mount except for EPSON projector's that are compatible with this product.</p> <p>If you attach a projector that is not compatible with this product, the mount could fall, topple over, or be damaged causing death or serious injury.</p> <p>Check the catalog for projectors that are compatible with this product.</p>	
<p>When installing, make sure you install a breaker (with a rated current of 10 A or less) in a location within reach.</p> <p>If any problems occur during installation, turn off the internal wiring immediately.</p>	
<p>Note the following when handling the power cable. Otherwise, it could cause a fire or electric shock.</p> <ul style="list-style-type: none"> • Do not handle the plug with wet hands • Do not use a damaged or modified power cable • Do not apply excessive force to the power cable • Do not trap the cable between parts of the mount and so on during installation 	
<p>Do not wind cables around the projector or the mount.</p>	
<p>When wiring cables and so on, route the cables so that it avoids the screws and bolts.</p> <p>If the cables come into contact with screws or bolts, it could cause a fire or electric shock to occur.</p>	
<p>Make sure you tighten the screws or bolts completely when installing.</p> <p>If they are not tightened completely, the mount or the projector could fall or topple over causing injury or accident to occur.</p>	
<p>Do not loosen or remove screws for no reason while installing or removing this product.</p>	






 Warning	
<p>When securing the mount, do not use adhesives to prevent the screws from loosening, and do not use lubricants, oils, and so on.</p> <p>If you use adhesives to prevent the screws from loosening, or if you use things such as lubricants or oils, the mount or the projector case may crack and fall or topple over causing an injury or an accident.</p>	
<p>Do not hang from the mount or the projector, and do not place heavy objects on them. Otherwise, the mount or the projector may fall or topple over and could cause death or injury.</p>	
<p>Do not apply excessive force to the projector or the mount when installing. Otherwise, the mount or the projector may be damaged and could cause death or injury.</p>	
<p>Do not install in the following situations. Contact your local dealer or Epson Service Call Center.</p> <ul style="list-style-type: none"> • If the product has been dropped or damaged before or during installation • If the mount is abnormal or damaged 	

Warnings and Cautions on the Installation Locations

 Warning	
<p>Check the structure and material of the surface to which the mount will be installed, and use the optimum installation method.</p>	
<p>Make sure the surface to which the mount will be installed is strong enough.</p>	
<p>Do not install the mount or projector in an unstable location where it might be subjected to vibrations or shocks.</p> <p>The surface to which the mount is attached may be damaged. Also, the mount or projector may fall or topple over and cause an injury or accident to occur.</p>	
<p>Do not install in a location that is not strong enough to bear the load or that is slanted. The installation location needs to be strong enough to support the projector and this product. Check the weight of the projector and this product before installation, perform calculations of allowable weight and so on, and then install them securely.</p>	
<p>Do not install or use the projector in locations where it could be exposed to rain or water, such as outdoors, in baths or shower rooms.</p> <p>Otherwise, it could cause a fire or electric shock.</p>	
<p>Do not use the projector in a location subject to combustible or explosive gas. If the inside of the projector gets too hot, it could ignite and cause a fire.</p>	
<p>Do not cover the projector's air intake vent or air exhaust vent. If either of the vents are covered, the projector's internal temperature could rise and cause a fire.</p>	

 Caution	
<p>Do not install the projector in a location outside the projector's operating temperature range.</p> <p>Such an environment may damage the projector.</p>	
<p>Install it away from air outlets such as air conditioners.</p> <p>If the air from an air conditioner and so on flows directly over the projector, the temperature rises and the projector may not operate correctly.</p>	
<p>Install it away from fluorescent lights.</p> <p>Some kinds of fluorescent lights could interfere with the remote control of the projector.</p>	
<p>Install it in a location where strong light such as fluorescent light and direct sunlight does not shine on the remote receiver.</p> <p>If strong rays of light shine on the remote receiver, remote control operations may not be performed correctly.</p>	
<p>Make sure you install the projector in a location free from excessive dust and humidity to prevent the lens or internal components from becoming dirty.</p>	
<p>Do not install the projector in a location subject to high levels of dust or humidity, or in a location subject to smoke or steam.</p> <p>Otherwise, it could cause a fire or electric shock to occur. The projector's case could also deteriorate and be damaged causing the projector to fall from the mount.</p> <p>Examples of environments that could cause the projector to fall due to case deterioration</p> <ul style="list-style-type: none"> • Locations subject to excessive smoke or airborne oil particles, such as factories or kitchens • Locations containing volatile solvents or chemicals, such as factories or laboratories • Locations where the projector could be subjected to detergents or chemicals, such as factories or kitchens • Locations in which aroma oils are often used, such as relaxation rooms • Near devices that produce excessive smoke, airborne oil particles, or foam at events 	

Precautions on Handling After Installing

 Warning	
<p>Never loosen the screws or bolts after installation.</p> <p>Make sure that you check for any loose screws or bolts on a regular basis, and if any are loose, tighten them completely. If they are not tightened completely, the mount or the projector could fall or topple over causing injury or accident to occur.</p>	
<p>Do not apply excessive force to the mount or hang from the mount.</p>	
<p>Never disassemble or remodel this product except as instructed in this guide.</p>	
<p>Do not use a wet cloth or solvents such alcohol, benzine, or thinner, when cleaning the product.</p> <p>Water could get into the projector or the case could deteriorate and crack causing an electric shock to occur.</p>	

Using the Product Safely

Safety Instructions	1
Type of Installation	1
Safety Indications	1
General Information Indications	1
Precautions on Installing the Projector	2
Warnings and Cautions on the Installation Locations	3
Precautions on Handling After Installing	4

Preparing the Projector

Package Contents	6
-------------------------------	----------

Installation Procedure

Attaching the Mount to the Projector	8
---	----------

Attaching the Projector Plate	8
Attaching the Arm Unit	9

Installing the Safety Wire	11
---	-----------

Attaching the Projector to the Installation Location	12
---	-----------

Determining the installation position	12
Mounting hole positions and dimensions	12
When the mounting location is concrete	12
When the mounting location is wood	13

Attaching the Ceiling Mount/Floor Stand Plate	13
---	----

Attaching the Arm Unit to the Ceiling Mount/Floor Stand Plate	15
---	----

Connecting Cables	16
--------------------------------	-----------

Attaching the Mount Cover	17
--	-----------

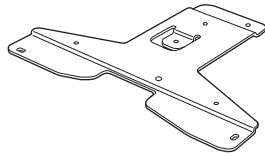
Adjusting the Orientation of the Projector	20
---	-----------

Appendix

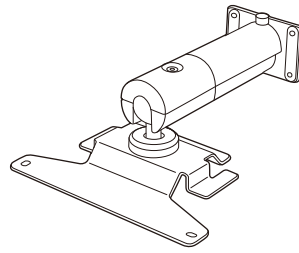
Specification	22
Appearance	22

Package Contents

Check that you have all of the following accessories before you start work.



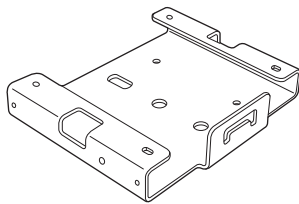
Projector plate



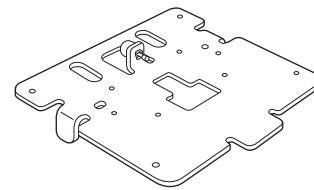
Arm unit



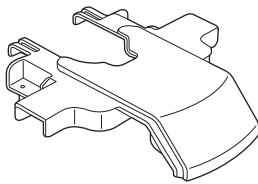
Cable clamp



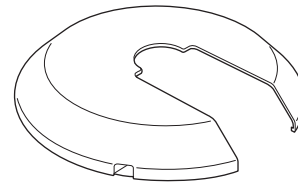
Ceiling mount/Floor stand plate A



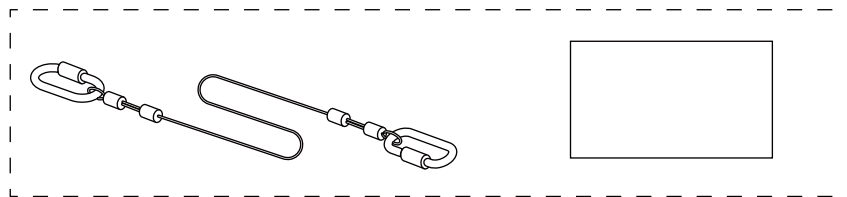
Ceiling mount/Floor stand plate B



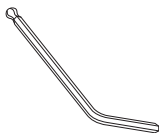
Mount cover A



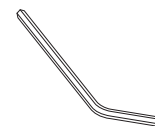
Mount cover B



Safety wire set (safety wire (500 mm) and *User's Guide*)




Hexagonal wrench (M4 ball point)



Hexagonal wrench (M6)


Shape	Name	Quantity	Application
	M4 x 14 mm hexagonal recessed head screw (with washer): black	4	Secures ceiling mount/floor stand plate B.
		4	Secures the arm unit to the ceiling mount/floor stand plate.

Preparing the Projector

Shape	Name	Quantity	Application
	M4 x 10 mm hexagonal recessed head screw (with washer): silver	4	Secures the projector plate to the projector.
		3	Secures the arm unit to the projector plate.
		6	Secures the mount cover.

Attaching the Mount to the Projector

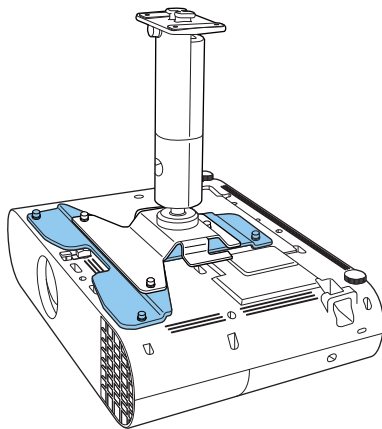
Attach the projector plate and arm unit to the base of the projector.

 **Caution**

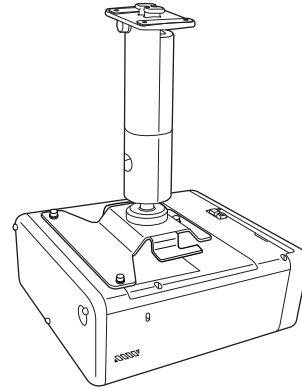
Make sure you use the screws supplied when attaching the mount to the projector.

Attaching the Projector Plate

You may not need to attach the projector plate depending on the model you are using. Go to the arm unit installation procedure.

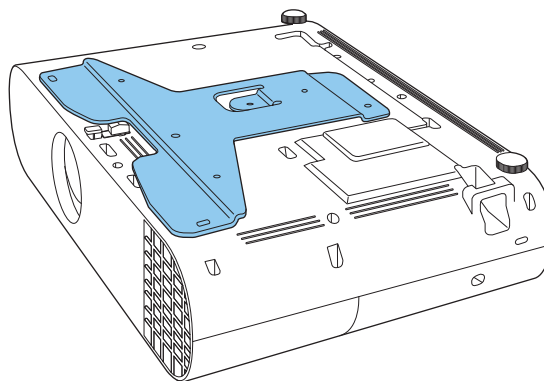


Projector plate necessary



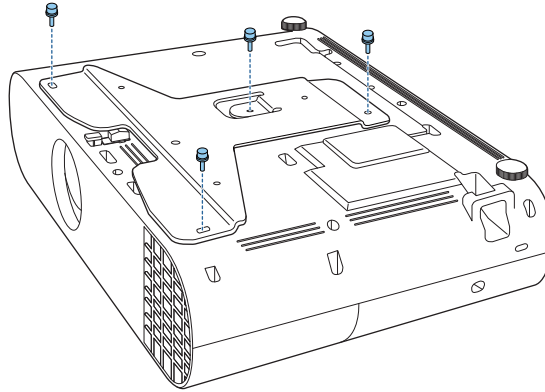
Projector plate un-necessary

- 1 Place the projector plate on the base of the projector.
Align the screw holes on the projector's mount fixing point with the screw holes on the projector plate.



2

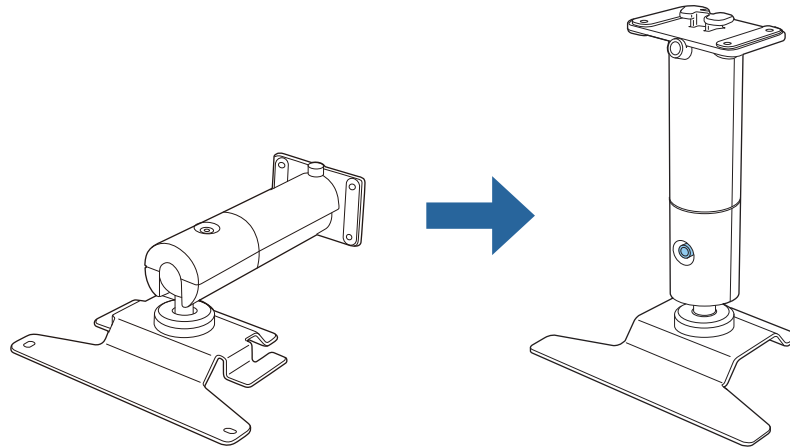
Secure the projector plate using the M4 x 10 mm screws supplied (x4).



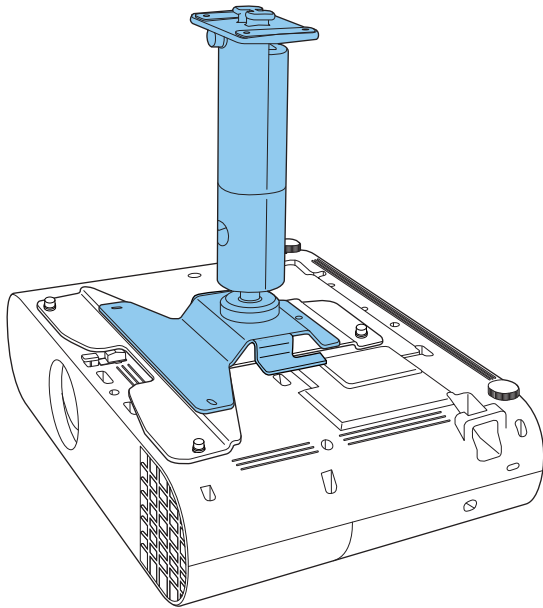
Attaching the Arm Unit

1

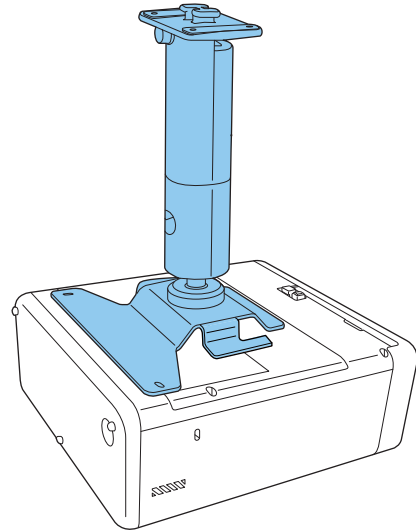
Straighten the arm unit and tighten the screws.



- 2** Place the arm unit on the projector.
Align the screw holes on the projector plate or the screw holes on the projector with the screw holes on the arm unit.

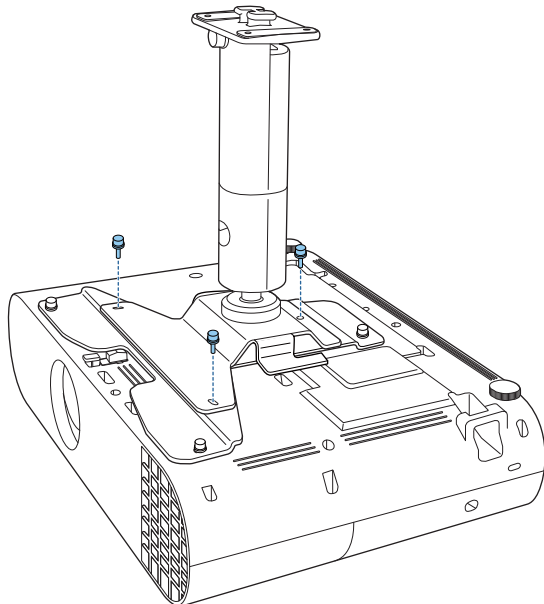


With projector plate

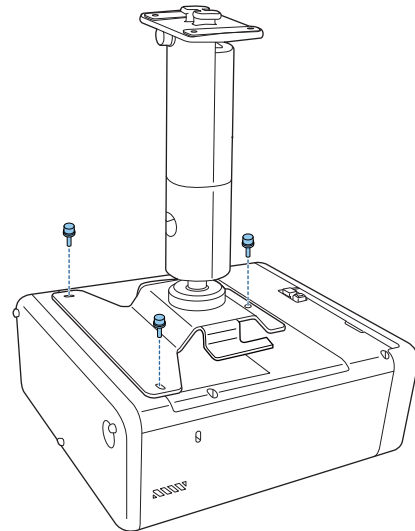


Without projector plate

- 3** Secure the arm unit to the projector using the M4 x 10 mm screws supplied (x3).



With projector plate



Without projector plate

Installing the Safety Wire

When installing in a high location such as a ceiling, wall, or on a shelf, after attaching the arm unit, install the safety wire supplied to prevent the projector from falling.

For details on the installation procedure, see the *User's Guide* supplied with the safety wire set.

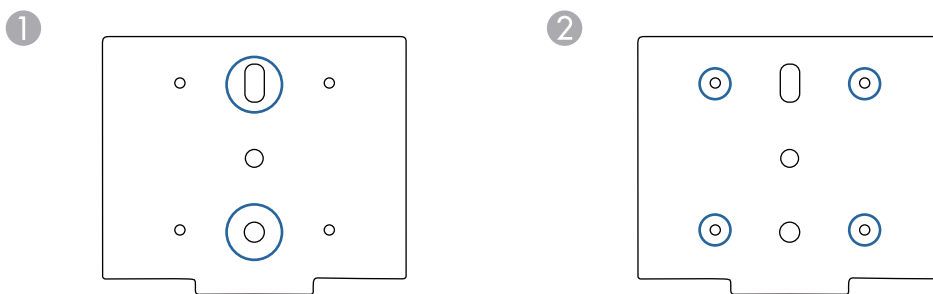
Attaching the Projector to the Installation Location

Determining the installation position

Check the position where you want to project the image, and determine the mounting position for the Ceiling mount/Floor stand.

Make sure you take into consideration the structure (strength and so on) of the installation location on which you will install the Ceiling mount/Floor stand.

Mounting hole positions and dimensions



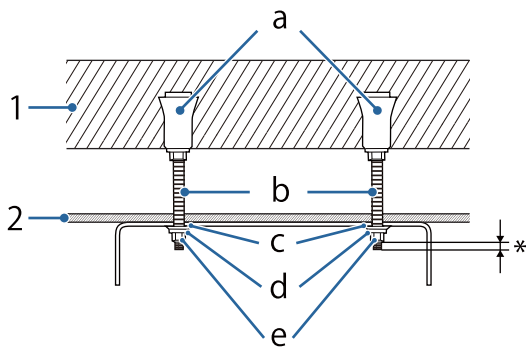
- 1 Anchor bolt mounting hole (M10)
- 2 Wood screw mounting hole (nominal diameter 5.1)

When the mounting location is concrete

Use two anchor bolts to attach the mount to a concrete surface. Make sure you acquire commercially available anchor bolts.

Warning

- Check in advance that the concrete for the installation area can withstand the combined mass of this product and the projector, as well as any side-to-side movements that may occur due to earthquakes and so on. If the concrete is fragile or has deteriorated over time, be sure to reinforce it securely with rebar and so on.
- Anchors must be installed in accordance with standards and methods specified by the manufacturers of the material to ensure that they do not break, loosen, or become misaligned.
- Be sure to tighten all screws securely when installing or after completing angle adjustments. After tightening screws, tighten them further to make sure that there are definitely no loose screws.
- Note that we cannot accept responsibility for any accidents that occur if this product falls due to insufficient strength and so on in the installation area.



- 1: Concrete
- 2: Ceiling surface
- a: Female threading type anchor
- b: Eye bolt
- c: Flat washer
- d: Spring washer
- e: Hexagonal nut
- *: At least 3 ridges of the screw should be visible.

However, do not extend more than 9 mm as this will touch the mount.

■ When the mounting location is wood

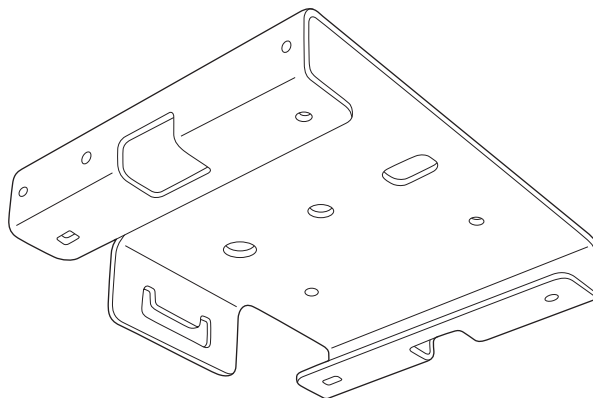
Warning

When installing using wood screws, make sure that the base is at least 20 mm thick.

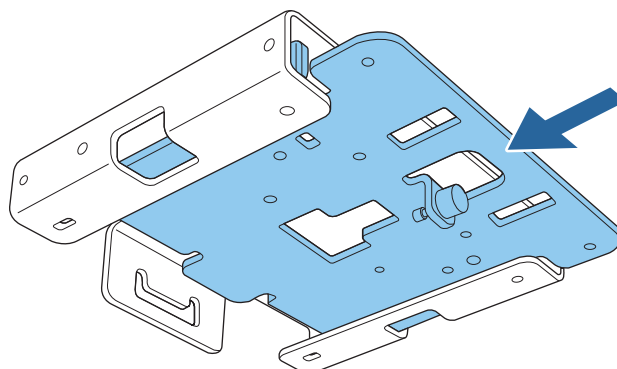
Attaching the Ceiling Mount/Floor Stand Plate

1 Drill mounting holes in the installation location.

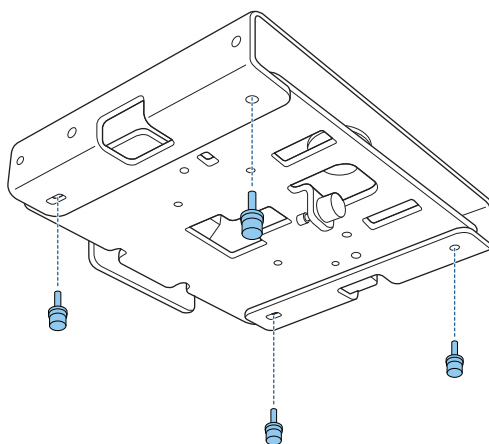
2 Attach ceiling mount/floor stand plate A to the ceiling.
Make sure you acquire commercially available items to be used for installation.



- 3** Insert ceiling mount/floor stand plate B into plate A.

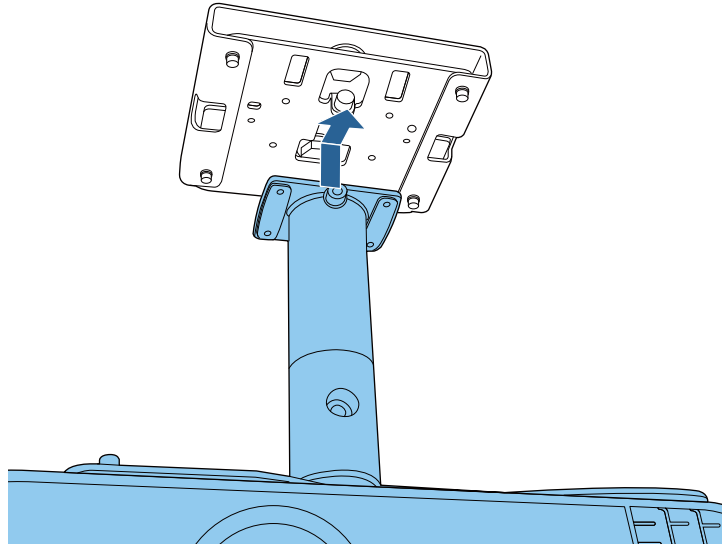


- 4** Tighten the M4 x 14 mm screws supplied (x4) with the hexagonal wrench (M4 ball point), and secure ceiling mount/floor stand plate B.

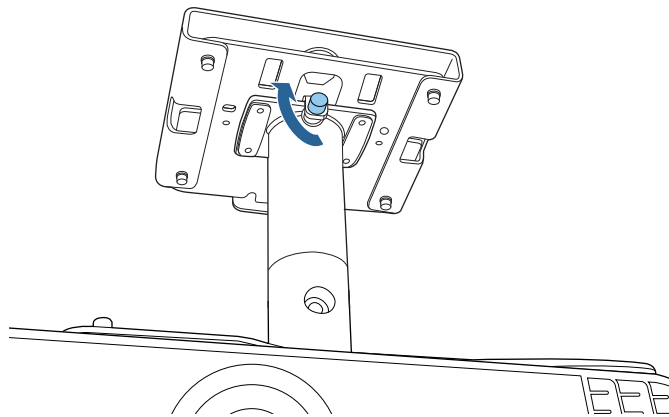


Attaching the Arm Unit to the Ceiling Mount/Floor Stand Plate

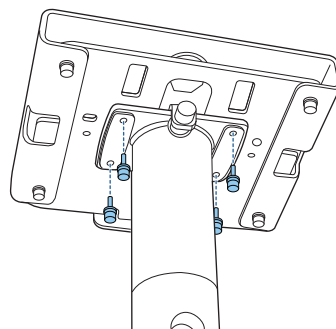
- 1 Insert the arm unit into the gap provided in ceiling mount/floor stand plate B.
Slide it to the front and align the screw holes in ceiling mount/floor stand plate B with the screw holes in the arm unit.



- 2 Tighten the screws for ceiling mount/floor stand plate B to temporarily secure the arm unit.



- 3 Tighten the M4 x 14 mm screws supplied (x4) with a hexagonal wrench (M4 ball point) to secure the arm unit.



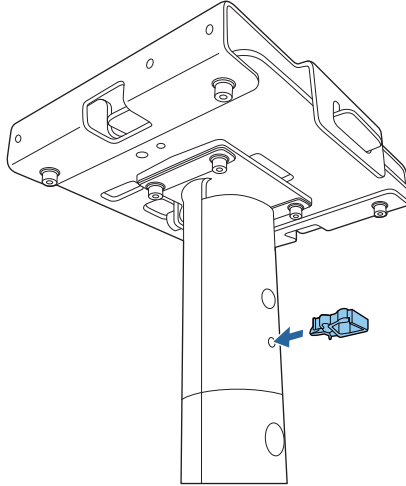
Connecting Cables

Connect the necessary cables to the projector's connection ports.

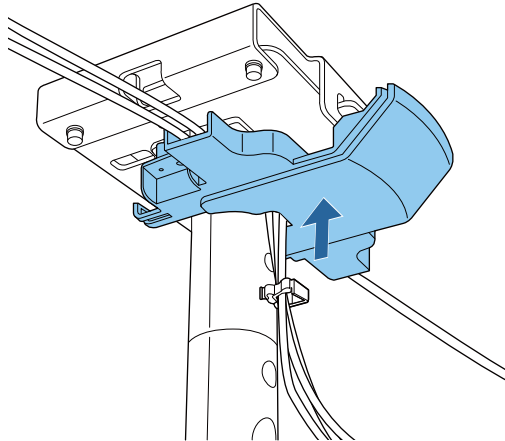
Check the Projector's *User's Guide* for information on the connection ports.

Attaching the Mount Cover

- 1 Attach the cable clamp to the arm unit.
Insert the cable clamp to fit through the holes in the arm unit.



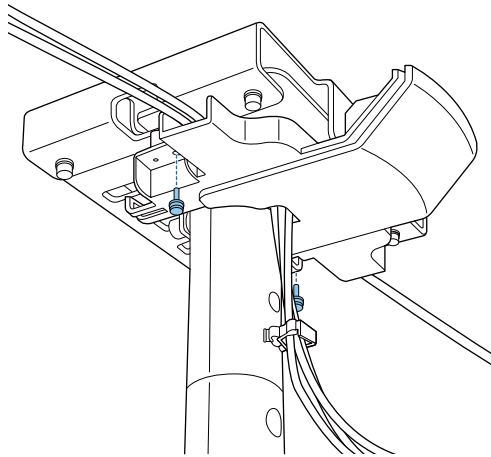
- 2 Attach mount cover A to the ceiling mount/floor stand plate.



Route cables through the cabling paths or cable clamps if necessary. If the cables are thick or if there are a lot of cables, connect them directly without passing them through the cabling path or cable clamps.

3

Secure mount cover A using the M4 x 10 mm screws supplied (x2).



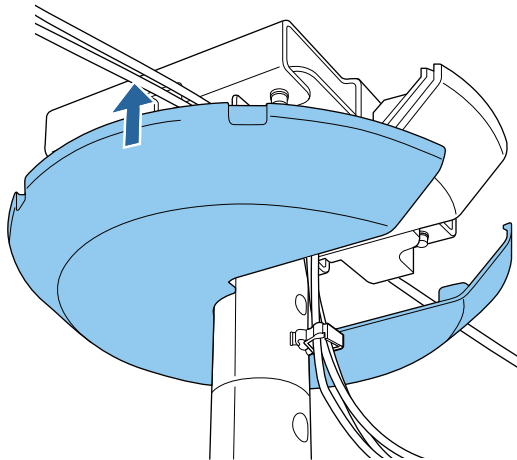
Caution

Make sure the cables do not get trapped by the mount cover. If you tighten the screws while the cables are trapped between the cover and the mount, the cables may be disconnected.

4

Attach mount cover B.

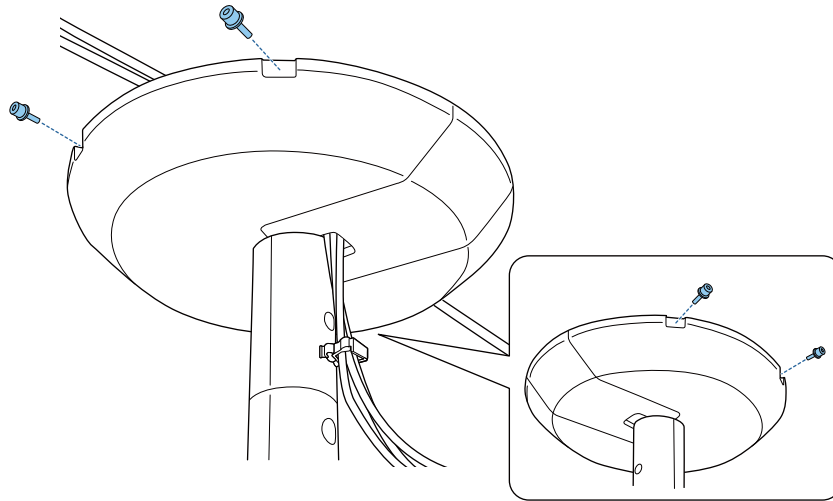
Hook it over mount cover A and secure it temporarily.



5

Secure mount cover B using the M4 x 10 mm screws supplied (x4).

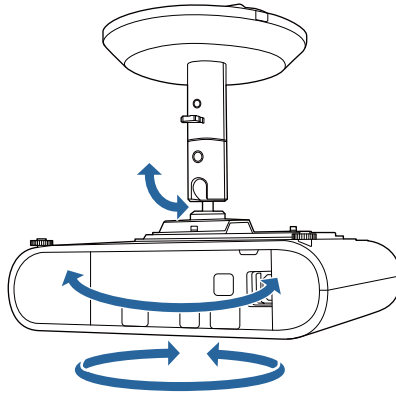
Align the screw holes while supporting mount cover B from underneath.



Adjusting the Orientation of the Projector

You can use the ball joint on the projector support section to adjust the orientation and the angle of the projector.

The range of angles available varies depending on the model you are using. For more details, see the *User's Guide* supplied with the projector.



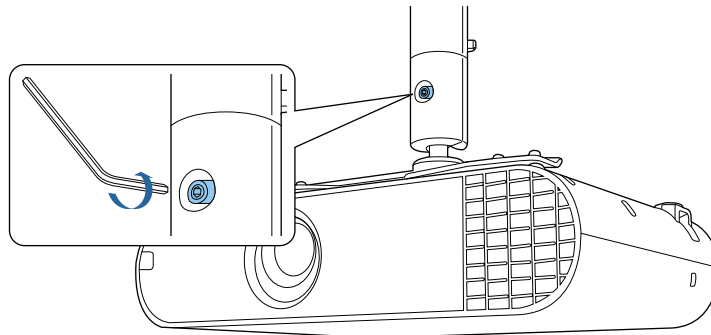
- 1 Press the power button on the projector or the remote control.

The projector turns on.

 **Caution**

Before turning on the projector, make sure the mount is firmly secured.

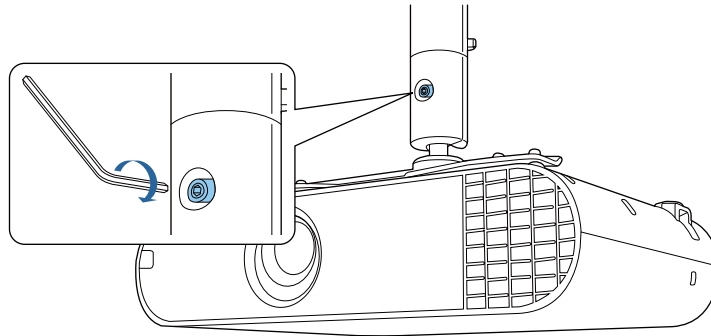
- 2 Loosen the screw for the arm unit's ball joint with a hexagonal wrench (M6).



- 3 Adjust the orientation of the projector.

Make sure you support the projector from underneath while adjusting the orientation.

- 4** When you have finished making adjustments, securely tighten the screw for the ball joint section with a hexagonal wrench (M6).



- After making adjustments, make sure you tighten the screws of the ball joint completely. If they are not tightened completely, the angle of the projector will change shifting the position of the image.
- After adjusting the orientation of the projector, adjust the size and focus of the projected image. For more details, see the *User's Guide* supplied with the projector.

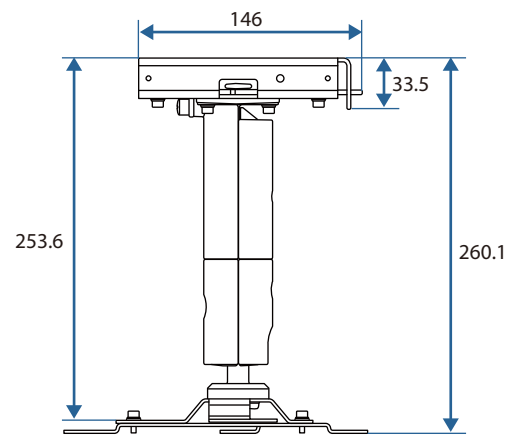
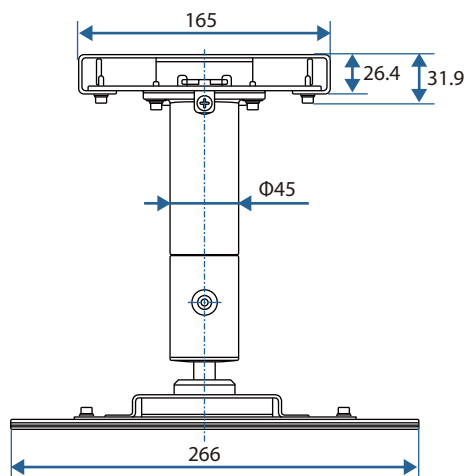
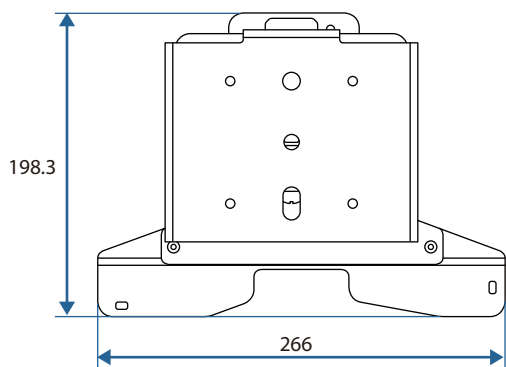
Specification

Item	Specification
Mass (projector plate, arm unit, ceiling mount/floor stand plate A/B, mount cover A/B)	Approx. 2.7 kg
Maximum load capacity	Approx. 10.0kg

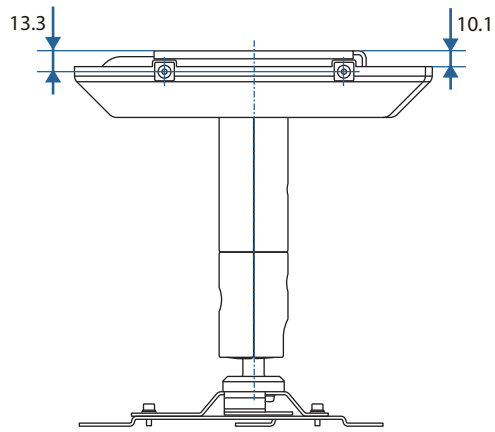
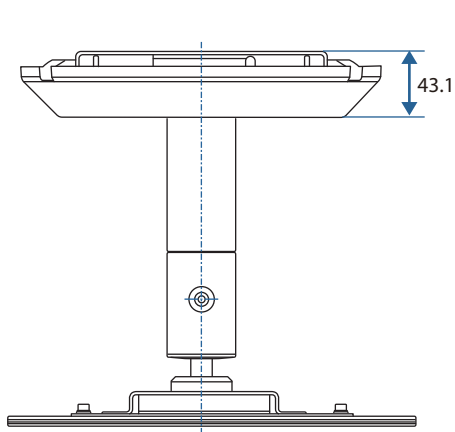
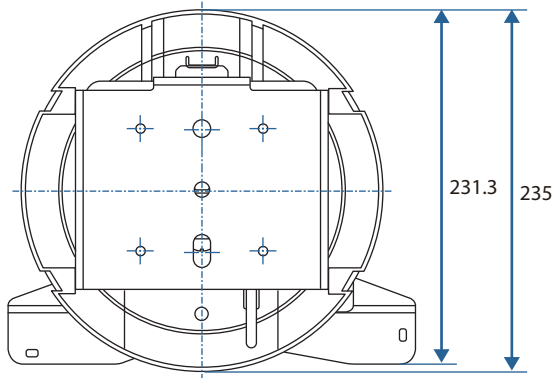
Appearance

[Unit: mm]

Without the mount cover



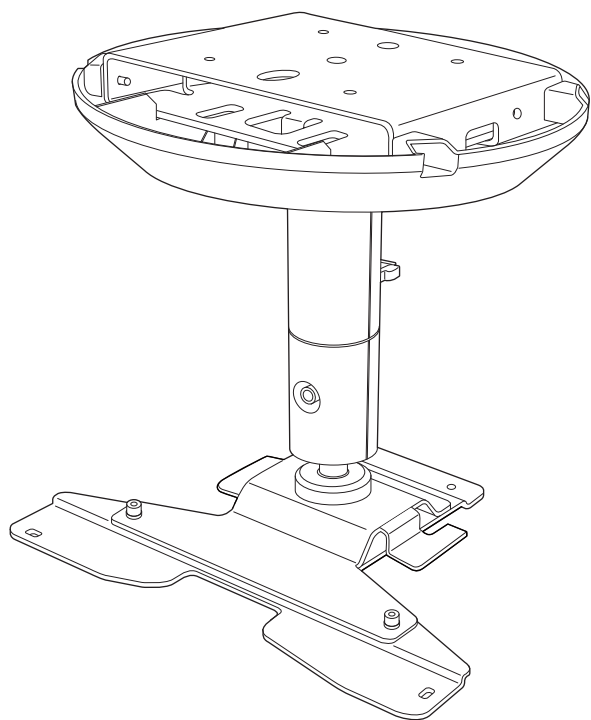
With the mount cover attached



©SEIKO EPSON CORPORATION 2019. All rights reserved.

ELPMB60

Guide d'installation



Consignes de sécurité

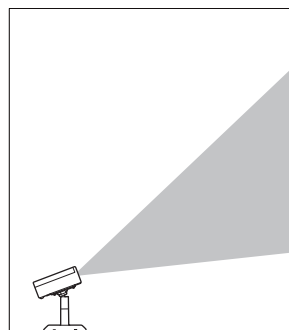
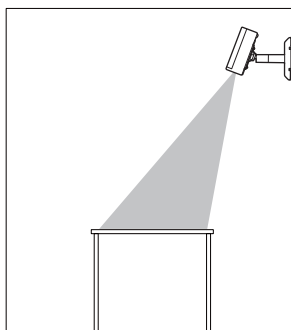
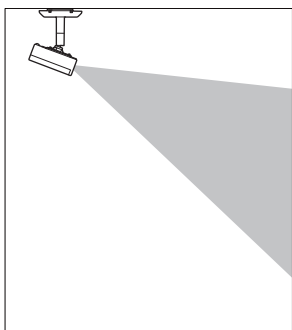
Ce guide explique comment installer le projecteur au plafond, sur un mur ou au sol à l'aide de la fixation plafond / du pied ELPMB60 fourni.

Assurez-vous de lire attentivement le présent guide afin d'utiliser les supports d'installation et le projecteur en toute sécurité. Une manipulation incorrecte ne respectant pas ces consignes pourrait endommager ce produit ou provoquer des blessures corporelles ou des dommages matériels. Conservez ce guide d'installation à portée de main pour pouvoir vous y reporter ultérieurement.

Concernant la façon de manipuler le projecteur, lisez le *Guide de l'utilisateur* et les *Consignes de sécurité* fournis avec votre projecteur et suivez les instructions contenues dans ces documents.

Type d'installation



Ce produit peut être installé au plafond, sur un mur ou au sol.






Indications de sécurité

La documentation et ce produit utilisent des symboles graphiques pour indiquer comment utiliser ce produit correctement et en toute sécurité afin d'éviter de blesser les clients et autres, et d'endommager les biens.














Les indications et leur signification sont les suivantes. Assurez-vous de bien les comprendre avant de lire le guide.






Symbole	Explication
 Avertissement	Ce symbole signale des informations qui, si elles sont ignorées, peuvent provoquer des blessures, voire la mort, en raison d'une manipulation incorrecte.
 Attention	Ce symbole indique des informations qui, si elles sont ignorées, peuvent provoquer des blessures ou des dommages physiques, en raison d'une manipulation incorrecte.

Indications d'informations générales









Symboles	Explication
	Symbole indiquant une action à ne pas faire
	Symbole indiquant une action à faire
	Symbole signalant des informations connexes ou utiles








Précautions relatives à l'installation du projecteur

 Avertissement	
<p>L'installation du projecteur ne doit être effectuée que par un professionnel possédant les compétences et le savoir-faire nécessaires.</p> <p>Si les travaux d'installation ne sont pas effectués correctement, le support ou le projecteur peut tomber ou se renverser et provoquer des blessures ou un accident.</p>	
<p>Suivez les instructions du présent guide pour effectuer les travaux d'installation.</p> <p>Si les instructions ne sont pas respectées, le support ou le projecteur peut tomber ou se renverser et provoquer des blessures ou un accident.</p>	
<p>Contrôlez que la structure et le matériau de la surface à l'endroit de l'installation sont assez résistants avant d'installer, et utilisez la méthode d'installation optimale.</p> <p>Si les travaux ne sont pas effectués correctement, le support ou le projecteur peut tomber ou se renverser et provoquer des blessures ou un accident.</p>	
<p>L'installation au plafond ou au mur doit être effectuée par au moins deux personnes. Assurez-vous également que votre posture est stable et sûre, afin de ne pas faire tomber le support ou le projecteur.</p>	
<p>Lors de l'installation dans en hauteur, par exemple un plafond, un mur ou une étagère, veillez à fixer le câble de sécurité fourni au support et au projecteur afin d'empêcher le projecteur de tomber.</p>	
<p>Ne fixez rien sur ce support hormis des projecteurs EPSON compatibles avec ce produit.</p> <p>Si vous attachez un projecteur incompatible avec ce produit, le support peut tomber, basculer ou être endommagé et provoquer des blessures graves, voire mortelles.</p> <p>Recherchez dans le catalogue les projecteurs compatibles avec ce produit.</p>	
<p>Lors de l'installation, assurez-vous de placer un disjoncteur (avec un courant nominal de 10 A ou moins) dans un endroit à portée de main.</p> <p>Si des problèmes surviennent pendant l'installation, éteignez immédiatement le câblage interne.</p>	
<p>Notez les points suivants lors de la manipulation du câble d'alimentation. Sinon, cela peut provoquer un incendie ou une électrocution.</p> <ul style="list-style-type: none"> • Ne saisissez pas la fiche avec des mains humides • N'utilisez pas de câble d'alimentation endommagé ou modifié • N'appliquez pas de force excessive sur le câble d'alimentation • Ne coincez pas le câble entre les pièces du support ou autre pendant l'installation 	
<p>N'enroulez pas les câbles autour du projecteur ou du support.</p>	
<p>Lors de l'enroulement des câbles ou autre, faites cheminer les câbles de façon à éviter les vis et les boulons.</p> <p>Si les câbles entrent en contact avec des vis ou des boulons, cela peut provoquer un incendie ou une électrocution.</p>	
<p>Assurez-vous de bien serrer les vis et les boulons complètement lors de l'installation.</p> <p>S'ils ne sont pas serrés complètement, le support ou le projecteur peut tomber ou se renverser et provoquer des blessures ou un accident.</p>	
<p>Ne desserrez pas et ne retirez pas les vis sans raison lors de l'installation ou de la dépose de ce produit.</p>	





 Avertissement	
<p>Lors de la fixation du support, n'utilisez pas d'adhésif pour empêcher les vis de se desserrer, et n'utilisez pas de lubrifiant, d'huile ou autre.</p> <p>Si vous utilisez des adhésifs pour empêcher les vis de se desserrer, ou si vous utilisez des lubrifiants, de l'huile ou équivalent, le support et le boîtier du projecteur peuvent se fissurer et tomber ou se renverser, provoquant des blessures ou un accident.</p>	
<p>Ne suspendez rien au support ni au projecteur et ne placez pas d'objets lourds dessus.</p> <p>Sinon, le support et le projecteur peuvent tomber ou basculer et provoquer des blessures, voire la mort.</p>	
<p>N'appliquez pas de force excessive sur le projecteur ni sur le support lors de l'installation.</p> <p>Sinon, le support ou le projecteur risque d'être endommagé et de provoquer des blessures graves, voire létales.</p>	
<p>Ne procédez pas à l'installation dans les situations suivantes. Contactez votre revendeur local ou le centre d'appel Epson.</p> <ul style="list-style-type: none"> • Si le produit est tombé ou est endommagé avant ou pendant l'installation • Si le support est anormal ou endommagé 	

Avertissements et précautions relatives aux emplacements d'installation

 Avertissement	
<p>Contrôlez la structure et le matériau de la surface sur laquelle le support va être installé et utilisez la méthode d'installation optimale.</p>	
<p>Assurez-vous que la surface sur laquelle le support va être installé est suffisamment solide.</p>	
<p>N'installez pas le support ou le projecteur à un emplacement instable où il peut être soumis à des vibrations ou des chocs.</p> <p>La surface sur laquelle le support est fixé peut subir des dégâts. De plus, le support et le projecteur peuvent tomber ou basculer et provoquer des blessures ou un accident.</p>	
<p>Ne l'installez pas dans un endroit qui n'est pas assez résistant pour supporter la charge ou qui est incliné.</p> <p>L'emplacement d'installation doit être suffisamment résistant pour supporter le projecteur et ce produit. Vérifiez le poids du projecteur et de ce produit avant l'installation, effectuez les calculs de poids admissible, etc., puis installez-les en toute sécurité.</p>	
<p>N'installez pas et n'utilisez pas le projecteur dans des endroits où il pourrait être exposé à la pluie ou à l'eau, par exemple en extérieur, dans des salles de bain ou dans des salles d'eau.</p> <p>Sinon, cela peut provoquer un incendie ou une électrocution.</p>	
<p>N'utilisez pas le projecteur à un emplacement exposé à des combustibles ou gaz explosifs.</p> <p>Si l'intérieur du projecteur devient trop chaud, il peut s'enflammer et provoquer un incendie.</p>	
<p>Ne couvrez pas les entrées ou sorties d'air du projecteur.</p> <p>Si les orifices de ventilation sont couverts, la température interne du projecteur peut augmenter et causer un incendie.</p>	

 Attention	
N'installez pas le projecteur dans un emplacement hors de la plage de température de fonctionnement du projecteur. Un tel environnement peut endommager le projecteur.	
Installez-le loin des sorties d'air telles que les climatiseurs. Si l'air d'un climatiseur ou autre s'écoule directement sur le projecteur, la température augmente et le projecteur peut ne pas fonctionner correctement.	
Installez-le à distance des lampes fluorescentes. Certains types d'éclairages fluorescents risquent d'interférer avec la télécommande du projecteur.	
Installez-le dans un emplacement tel qu'aucune forte lumière, par exemple une lumière fluorescente ou la lumière directe du soleil, n'éclaire le récepteur de la télécommande. Si des rayons lumineux puissants éclairent sur le récepteur de la télécommande, le fonctionnement de la télécommande peut en être altéré.	
Assurez-vous d'installer ce produit dans un emplacement à l'abri de la poussière et de l'humidité afin que l'objectif et les éléments internes ne se salissent pas.	
N'installez pas le projecteur dans un endroit sujet à des niveaux élevés de poussière ou d'humidité, ni dans un endroit exposé à la fumée ou à la vapeur. Sinon, cela pourrait provoquer un incendie ou un choc électrique. Le boîtier du projecteur peut également se détériorer et être endommagé, ce qui ferait tomber le projecteur du support. Exemples d'environnements dans lesquels le projecteur pourrait tomber en raison de la détérioration de son boîtier	
<ul style="list-style-type: none"> • Les endroits exposés à une fumée excessive ou à des particules d'huile en suspension dans l'air, tels que les usines ou les cuisines • Les endroits contenant des solvants ou des produits chimiques volatils, tels que les usines ou les laboratoires • Les endroits où le projecteur pourrait être soumis à des détergents ou à des produits chimiques, tels que les usines ou les cuisines • Les endroits dans lesquels des huiles aromatiques sont souvent utilisées, tels que les salles de relaxation • À proximité d'appareils produisant une fumée excessive, des particules d'huile en suspension dans l'air ou de la mousse lors d'événements 	

Précautions relatives à la manipulation après installation

 Avertissement	
Ne desserrez jamais les vis ni les boulons après l'installation. Assurez-vous de contrôler régulièrement si des vis ou des boulons sont desserrés et le cas échéant, serrez-les complètement. S'ils ne sont pas serrés complètement, le support ou le projecteur peut tomber ou se renverser et provoquer des blessures ou un accident.	
N'exercez aucune force excessive sur le support et ne vous y suspendez pas.	
Ne démontez et ne modifiez jamais ce produit, sauf comme indiqué dans ce guide.	



Avertissement

N'utilisez pas de chiffon humide ni de solvant tel que de l'alcool, de l'essence ou un diluant lors du nettoyage du produit.

De l'eau pourrait pénétrer dans le projecteur ou le boîtier pourrait se détériorer et se fissurer, provoquant un choc électrique.



Utiliser le produit de façon sûre

Consignes de sécurité 1

- Type d'installation 1
- Indications de sécurité 1
- Indications d'informations générales 1
- Précautions relatives à l'installation du projecteur
..... 2
- Avertissements et précautions relatives aux
emplacements d'installation 3
- Précautions relatives à la manipulation après
installation 4

Préparation du projecteur

Contenu de l'emballage 7

Procédure d'installation

Fixation du support sur le projecteur 9

- Fixer la plaque du projecteur 9
- Fixer le bras 10

Installer le câble de sécurité 12

Fixer le projecteur à l'emplacement d'installation 13

- Déterminer la position d'installation 13
 - Emplacements et dimensions des trous de
montage 13
 - Lorsque l'emplacement de montage est en
béton 13
 - Lorsque l'emplacement de montage est en
bois 14
- Fixer la plaque de fixation au plafond / au sol
..... 14
- Fixer le bras à la plaque de support de fixation
plafond / de pied 16

Raccordement des câbles 17

Fixation du cache du support 18

Réglage de l'orientation du projecteur 21

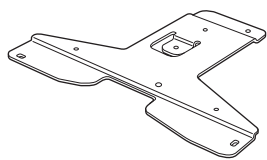
Annexe

Spécification 23

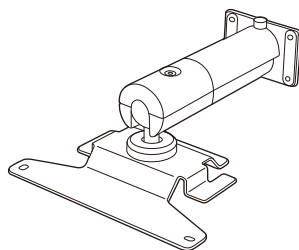
- Aspect 23

Contenu de l'emballage

Vérifiez que vous avez tous les accessoires suivants avant de démarrer les travaux.



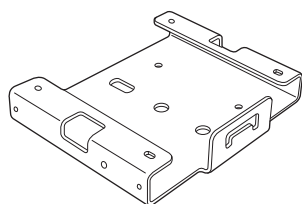
Plaque du projecteur



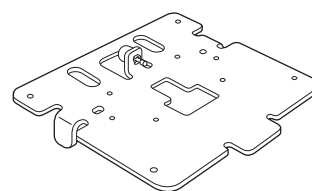
Bras



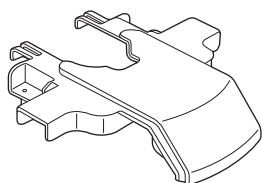
Serre câble



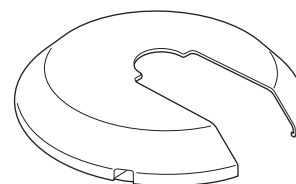
Plaque A de fixation de plafond / pied



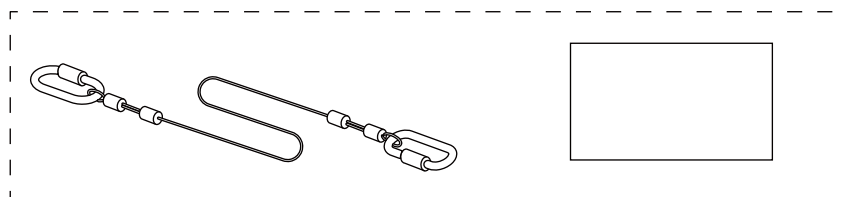
Plaque B de fixation de plafond / pied



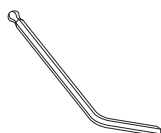
Cache de support A



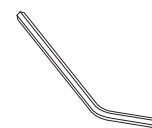
Cache de support B



Ensemble câble de sécurité (câble de sécurité (500 mm) et *Guide de l'utilisateur*)




Clé hexagonale (tête sphérique M4)



Clé hexagonale (M6)

Forme	Nom	Quantité	Application
	Vis à tête creuse hexagonale M4 x 14 mm (avec rondelle) : noire	4	Sécurise la plaque B de fixation de plafond / pied.
		4	Fixe le bras à la plaque de support de fixation plafond / sol.

Forme	Nom	Quantité	Application
	Vis à tête creuse hexagonale M4 x 10 mm (avec rondelle) : argent	4	Sécurise la plaque du projecteur au projecteur.
		3	Sécurise le bras à la plaque du projecteur.
		6	Elles servent à fixer le capot du support.

Fixation du support sur le projecteur

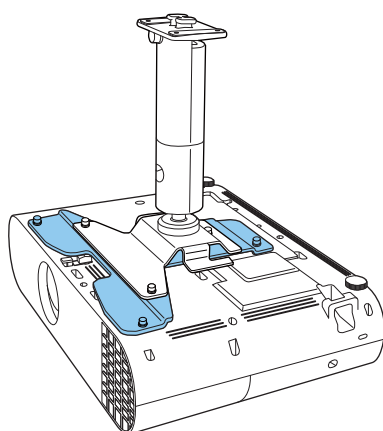
Fixez la plaque du projecteur et le bras à la base du projecteur.

Attention

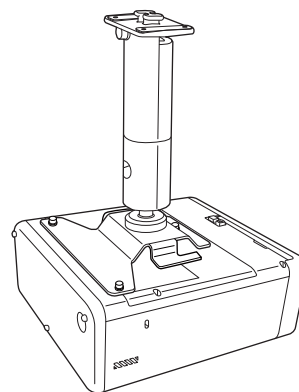
Veillez à utiliser les vis fournies lors de la fixation du support sur le projecteur.

Fixer la plaque du projecteur

Il est possible que vous n'ayez pas besoin de fixer la plaque du projecteur, selon le modèle que vous utilisez. Consultez la procédure d'installation du bras.

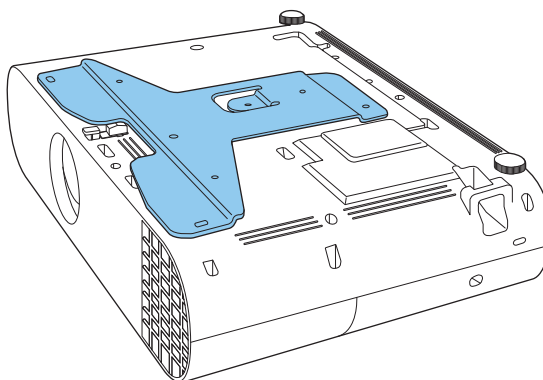


Plaque du projecteur nécessaire



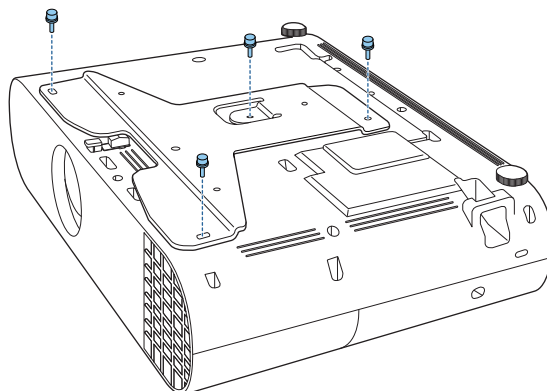
Plaque du projecteur non nécessaire

- 1** Placez la plaque du projecteur à la base du projecteur.
Alignez les trous de vis du point de fixation de la monture du projecteur avec les trous de vis de la plaque du projecteur.



2

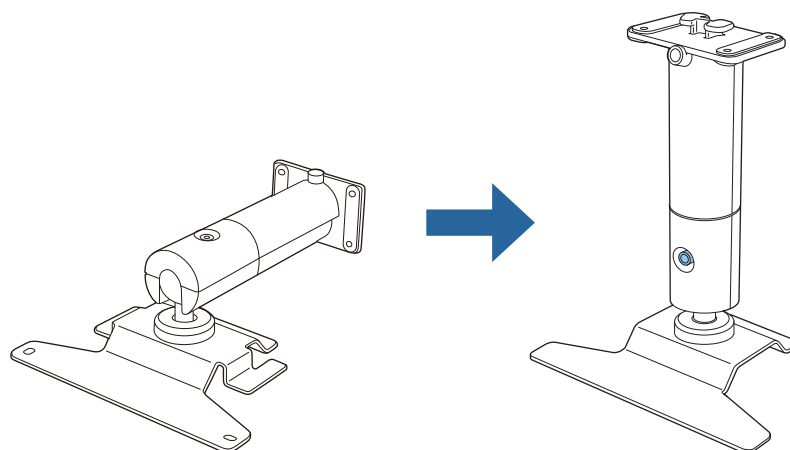
Fixez la plaque du projecteur à l'aide des vis M4 x 10 mm fournies (x4).



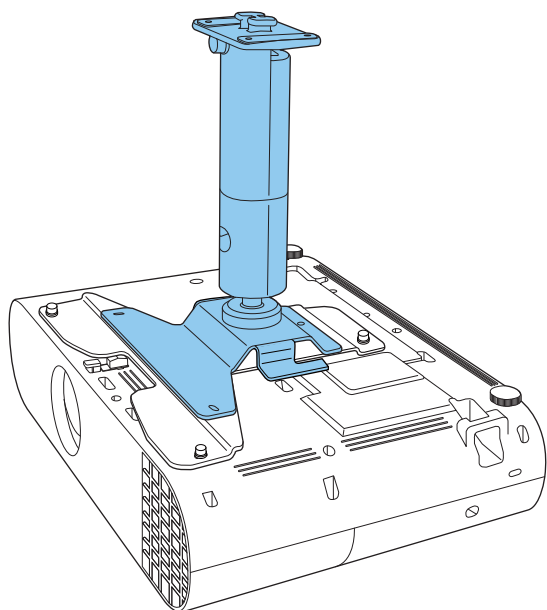
Fixer le bras

1

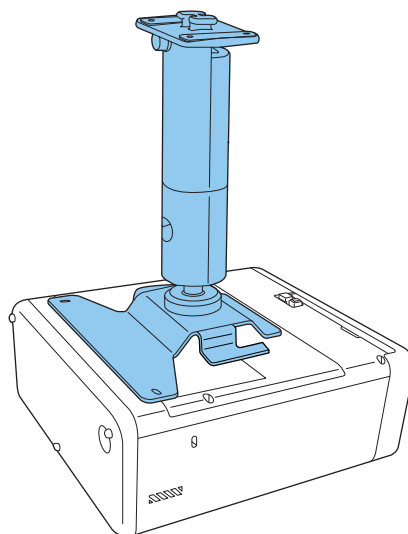
Redressez le bras et serrez les vis.



- 2** Sécurise le bras au projecteur.
Alignez les trous de vis de la plaque du projecteur ou les trous de vis du projecteur avec les trous de vis du bras.

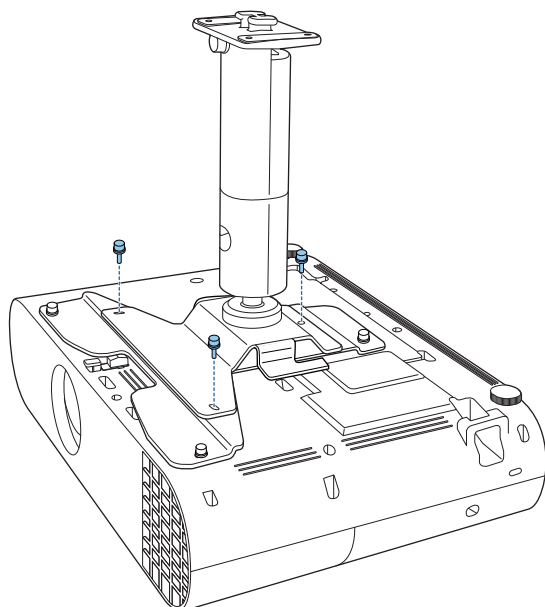


Avec la plaque du projecteur

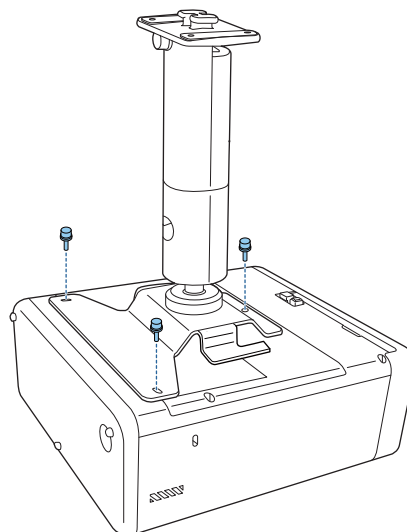


Sans la plaque du projecteur

- 3** Fixez le bras au projecteur à l'aide des vis M4 x 10 mm fournies (x3).



Avec la plaque du projecteur



Sans la plaque du projecteur

Installer le câble de sécurité

Lors de l'installation dans en hauteur, par exemple un plafond, un mur ou une étagère, après avoir fixé le bras, installez le câble de sécurité fourni afin d'empêcher le projecteur de tomber.

Pour plus de détails sur la procédure d'installation, consultez le *Guide de l'utilisateur* fourni avec l'ensemble câble de sécurité.

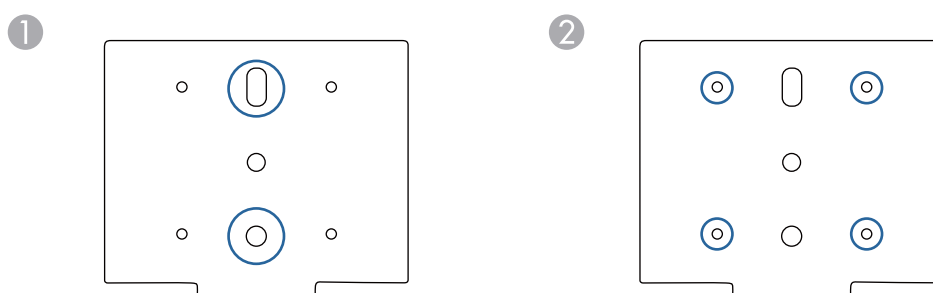
Fixer le projecteur à l'emplacement d'installation

Déterminer la position d'installation

Vérifiez la position où vous souhaitez projeter l'image et déterminez la position de montage pour la fixation de plafond / le pied.

Assurez-vous de prendre en compte la structure (résistance, etc.) de l'emplacement sur lequel vous allez installer la fixation de plafond / le pied.

Emplacements et dimensions des trous de montage



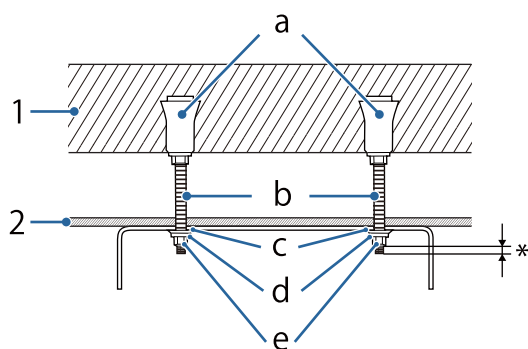
- 1 Trou de montage du boulon d'ancrage (M10)
- 2 Trou de montage pour vis à bois (diamètre nominal 5,1)

Lorsque l'emplacement de montage est en béton

Utilisez deux boulons d'ancrage pour fixer le support à une surface en béton. Veillez à acheter des boulons d'ancrage du commerce.

Avertissement

- Vérifiez par avance que le béton de la zone d'installation peut supporter la masse globale de ce produit et du projecteur, ainsi que tout mouvement latéral pouvant être provoqué par des tremblements de terre, etc. Si le béton est fragile ou s'est détérioré avec le temps, veillez à le renforcer solidement avec des barres d'armature, etc.
- Les ancrages doivent être installés conformément aux normes et aux méthodes spécifiées par les fabricants du matériel afin d'éviter toute rupture, tout desserrement ou désalignement.
- Veillez à bien serrer toutes les vis lors de l'installation ou après avoir terminé les réglages d'angle. Après avoir serré les vis, serrez-les davantage pour vous assurer qu'il n'y a pas de vis desserrées.
- Notez que nous ne pouvons assumer aucune responsabilité en cas d'accidents éventuels si ce produit tombe en raison d'une résistance insuffisante, etc. dans la zone d'installation.



1: Béton

2: Surface du plafond

a: Ancrage à filetage de type femelle

b: Anneau à visser

c: Rondelle plate

d: Rondelle à ressort

e: Écrou hexagonal

*: Au moins 3 arêtes de la vis doivent être visibles.

Cependant, ne déployez pas de plus de 9 mm car cela toucherait le support.

■ Lorsque l'emplacement de montage est en bois



Avertissement

Lors de l'installation à l'aide de vis à bois, assurez-vous que la base fait une épaisseur d'au moins 20 mm.

Fixer la plaque de fixation au plafond / au sol

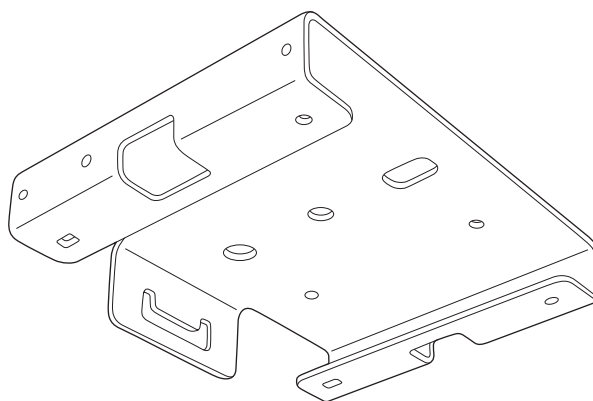
1

Percez des trous de montage à l'emplacement d'installation.

2

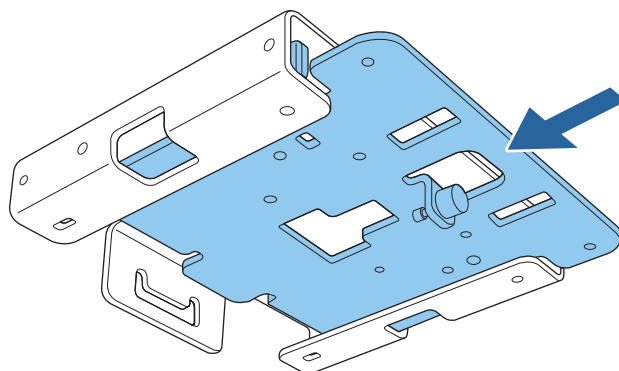
Fixez la plaque de fixation au plafond / le pied A au plafond.

Veillez à acquérir les articles disponibles dans le commerce pour l'installation.



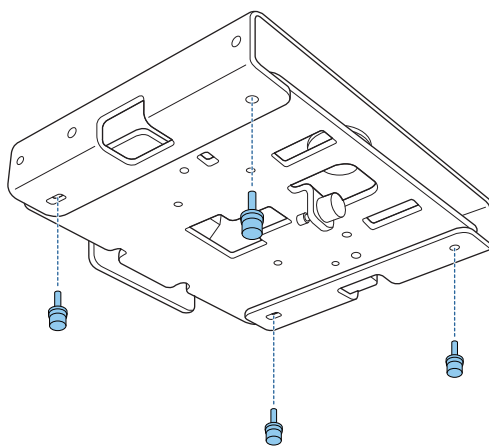
3

Insérez la plaque de fixation plafond / du pied B dans la plaque A.



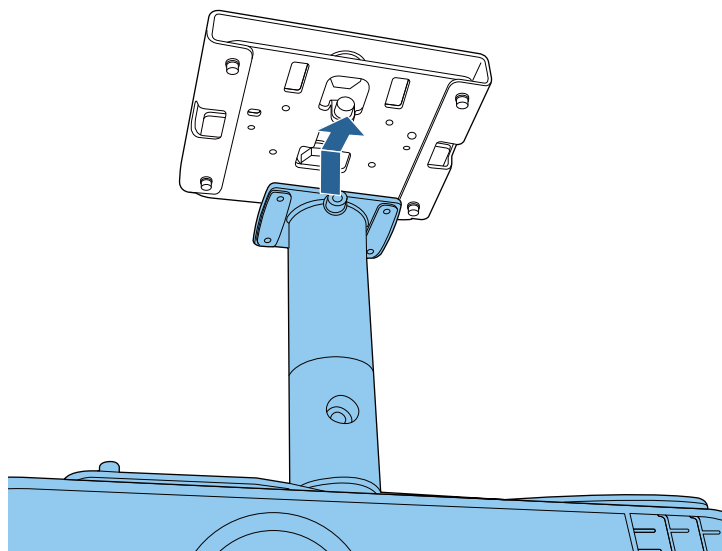
4

Serrez les vis M4 x 14 mm fournies (x4) avec la clé hexagonale (tête sphérique M4) et fixez la plaque de fixation au plafond / du pied B.

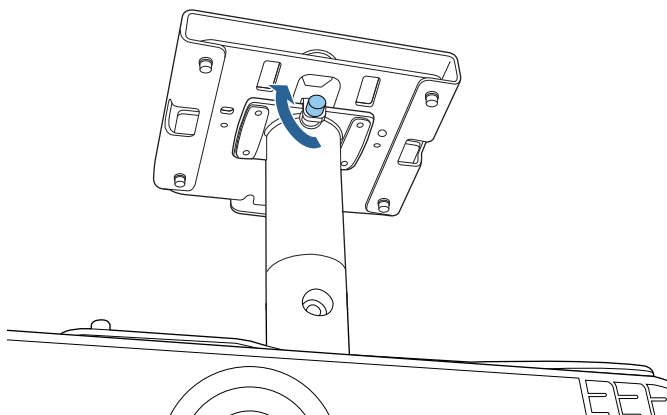


Fixer le bras à la plaque de support de fixation plafond / de pied

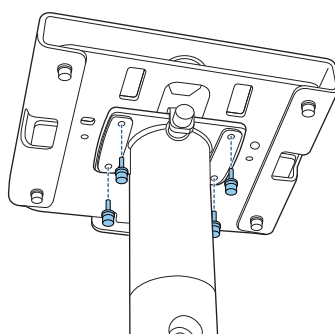
- 1 Insérez le bras dans l'espace prévu sur la plaque de support de fixation plafond / du pied B.
Faites-le glisser à l'avant et alignez les trous de vis de la plaque de fixation au plafond / du pied B avec les trous de vis du bras.



- 2 Serrez les vis de la plaque de fixation au plafond / du pied B pour fixer temporairement le bras.



- 3 Serrez les vis M4 x 14 mm fournies (x4) avec la clé hexagonale (tête sphérique M4) pour fixer le bras.



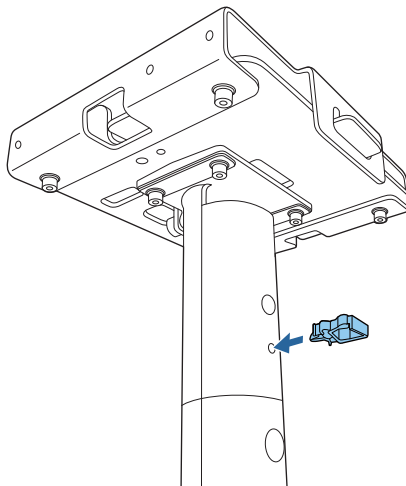
Raccordement des câbles

Raccordez les câbles nécessaires aux ports de connexion du projecteur.

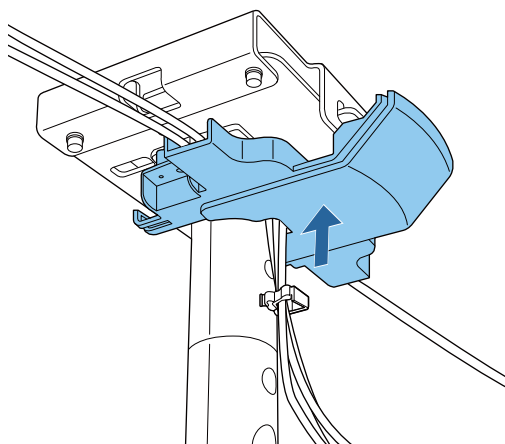
Vérifiez le *Guide de l'utilisateur* du projecteur pour les informations sur les ports de branchement.


Fixation du cache du support

- 1 Fixez le serre câble au bras.
Insérez le serre câble dans les trous du bras.



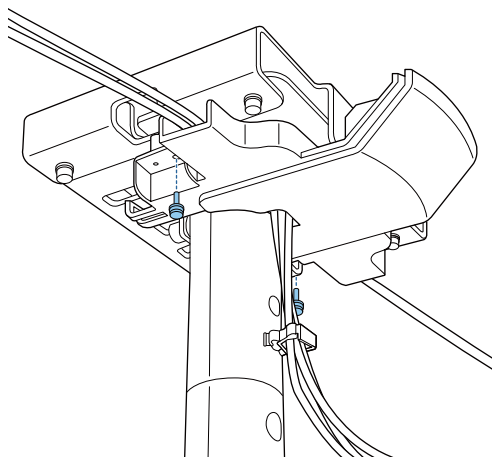
- 2 Fixez le cache de la fixation A à la plaque de support de fixation plafond /du pied.



 Faites passer les câbles dans les chemins de câbles ou les serre câbles si nécessaire. Si les câbles sont épais ou trop nombreux, connectez-les directement sans les faire passer par le chemin de câble ou les serre câbles.

3

Fixez la plaque du support A à l'aide des vis M4 x 10 mm fournies (x2).



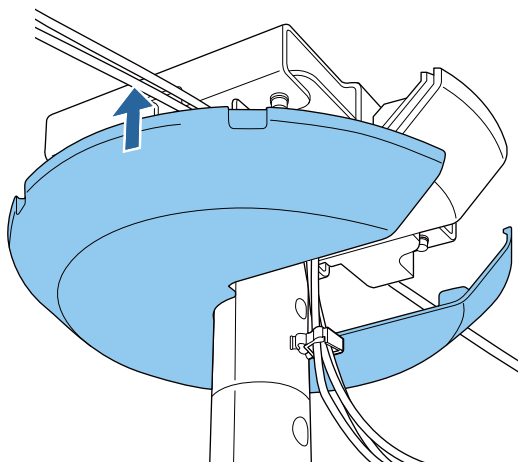
 Attention

Assurez-vous que les câbles ne sont pas coincés dans le cache de la fixation. Si vous serrez les vis alors que les câbles sont coincés entre le cache et le support, ils risquent d'être déconnectés.

4

Fixez le cache de fixation B.

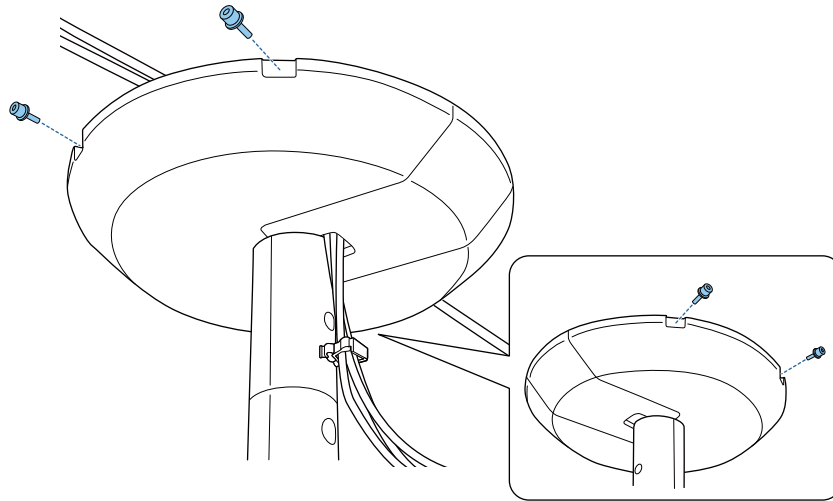
Accrochez-le au cache A et fixez-le temporairement.



5

Fixez le cache du support B à l'aide des vis M4 x 10 mm fournies (x4).

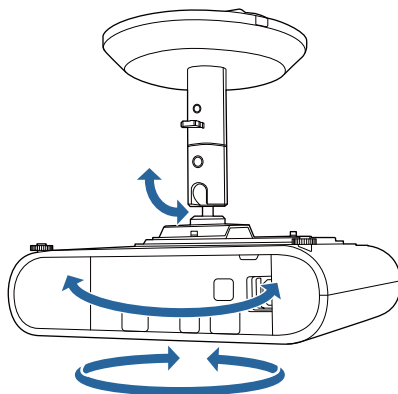
Alignez les trous de vis tout en soutenant le cache de la fixation B par le dessous.



Réglage de l'orientation du projecteur

Vous pouvez utiliser la rotule de la section de support du projecteur afin de régler l'orientation et l'angle du projecteur.

La plage d'angles disponibles varie en fonction du modèle utilisé. Pour plus de détails, reportez-vous au *Guide de l'utilisateur* fourni avec le projecteur.

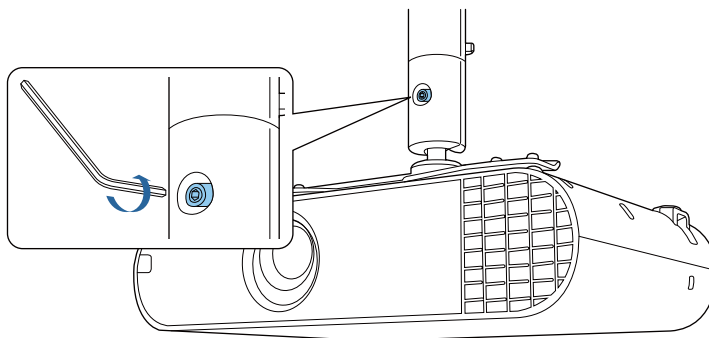


- 1 Appuyez sur le bouton d'alimentation sur le projecteur ou sur la télécommande.
Le projecteur s'allume.

 **Attention**

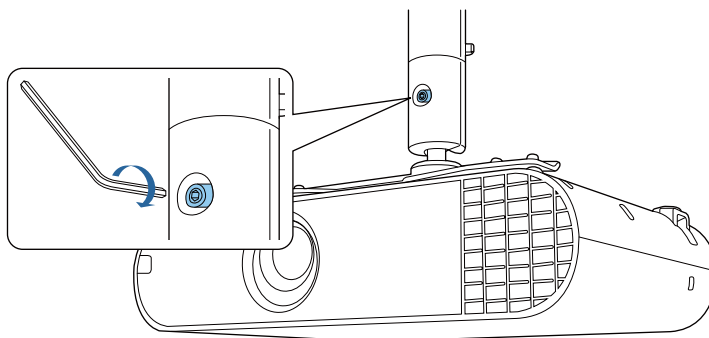
Avant de mettre le projecteur sous tension, assurez-vous que le support est correctement fixé.

- 2 Desserrez la vis du joint de la rotule du bras avec une clé hexagonale (M6).



- 3 Réglez l'orientation du projecteur.
Veillez à soutenir le projecteur par-dessous lors du réglage de l'orientation.

- 4** Une fois les réglages terminés, serrez fermement la vis de la rotule avec une clé hexagonale (M6).



- Après avoir effectué les réglages, assurez-vous de bien serrer les vis de la rotule. Si elles ne sont pas serrées complètement, l'angle du projecteur va changer et modifier la position de l'image.
- Après avoir ajusté l'orientation du projecteur, réglez la taille et la mise au point de l'image projetée. Pour plus de détails, reportez-vous au *Guide de l'utilisateur* fourni avec le projecteur.

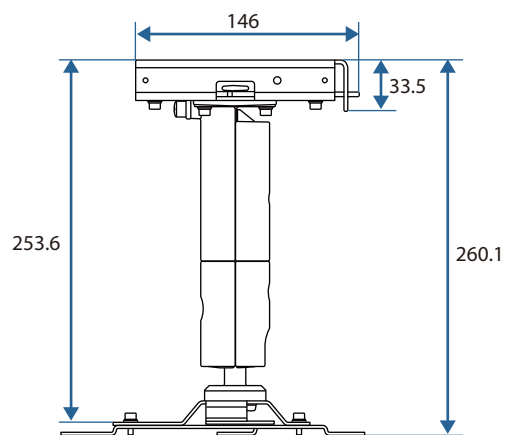
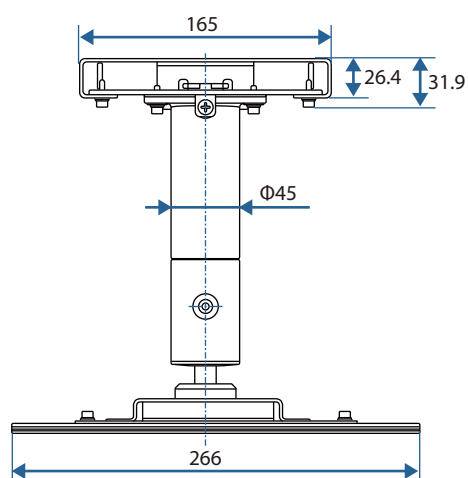
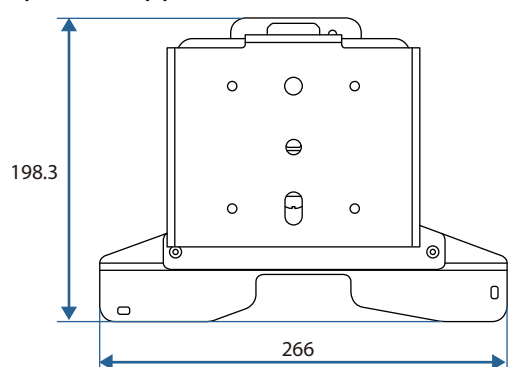
Spécification

Élément	Spécification
Masse (plaque de projecteur, bras, plaque de montage au plafond / du pied A/B, cache de fixation A/B)	Environ 2,7 kg
Capacité de charge maximale	Environ 10,0kg

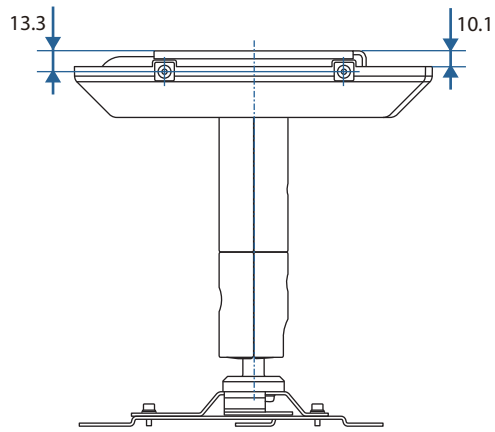
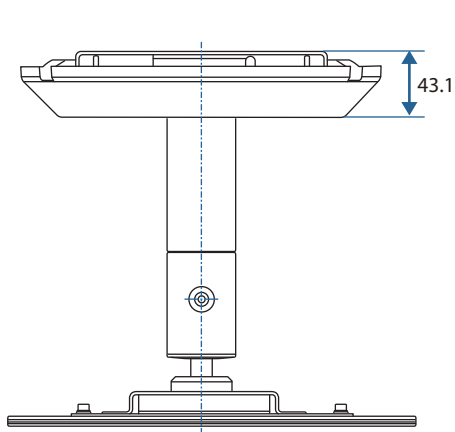
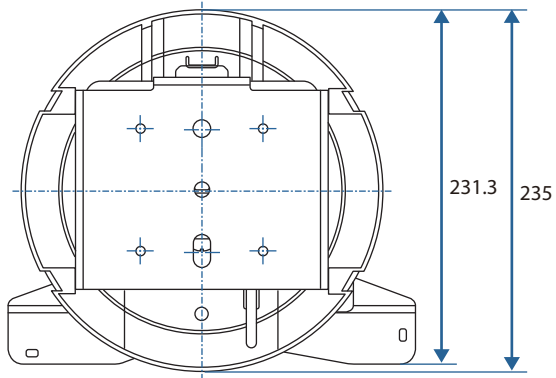
Aspect

[Unité : mm]

Sans le capot du support



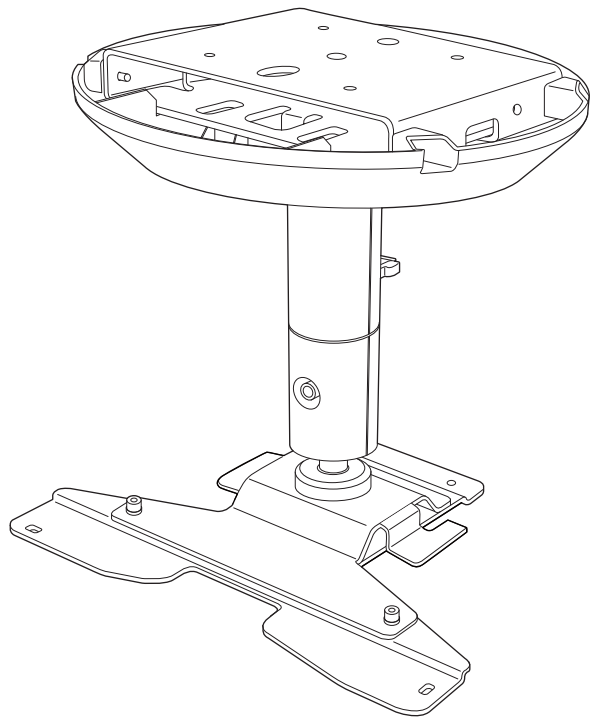
Avec le capot du support fixé



©SEIKO EPSON CORPORATION 2019. All rights reserved.

ELPMB60

Installationsanleitung



Sicherheitsanweisungen

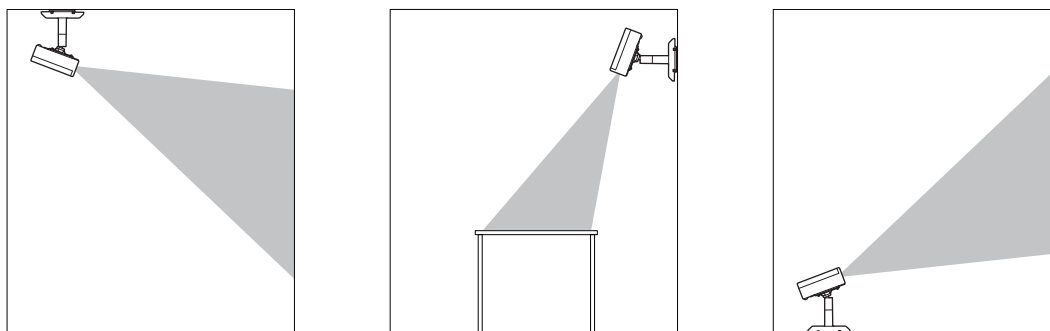
Diese Anleitung erklärt, wie Sie den Projektor mit der/dem mitgelieferten ELPMB60 Deckenhalterung/ Bodenständer an einer Decke oder Wand montieren oder auf dem Boden aufstellen.

Achten Sie darauf, diese Anleitung zur sicheren Nutzung von Installationshalterungen und Projektor sorgfältig zu lesen. Unsachgemäße Handhabung aufgrund Nichtbeachtung der Anweisungen in dieser Anleitung könnte zu einer Beschädigung des Produktes oder zu Verletzungen oder Sachschäden führen. Halten Sie diese Installationsanleitung stets griffbereit, um ggf. später darauf zurückgreifen zu können.

Lesen Sie bezüglich der Handhabung des Projektors die mit Ihrem Projektor gelieferte *Bedienungsanleitung* und die *Sicherheitsanweisungen* und befolgen Sie die Anweisungen in diesen Dokumenten.

Installationsart



Dieses Produkt kann an einer Decke oder Wand montiert oder auf dem Boden aufgestellt werden.






Sicherheitshinweise

Die Dokumentation und dieses Produkt zeigen anhand von grafischen Symbolen die sichere und richtige Nutzung dieses Produktes, damit Verletzungen am Nutzer und Dritten sowie Sachschäden vermieden werden.

Die Zeichen und ihre Bedeutung sind wie folgt. Stellen Sie sicher, dass Sie diese vollständig verstehen, bevor Sie die Anleitung lesen.








Symbol	Erklärung
 Warnung	Dieses Symbol verweist auf Informationen, deren Nichtbeachtung möglicherweise zu falscher Handhabung und somit zu Verletzungen oder sogar zum Tod führen kann.
 Achtung	Dieses Symbol verweist auf Informationen, deren Nichtbeachtung möglicherweise zu falscher Handhabung und somit zu Verletzungen oder Sachschäden führen kann.

Allgemeine Informationen







Symbole	Erklärung
	Dieses Symbol verweist auf eine zu unterlassende Handlung
	Dieses Symbol verweist auf eine Handlung, die vorgenommen werden sollte
	Dieses Symbol verweist auf zugehörige oder nützliche Informationen











Warnhinweise zur Installation des Projektors

 Warnung	
<p>Die Installation des Projektors sollte von einem Experten, der die erforderlichen Fähigkeiten und Kenntnisse besitzt, durchgeführt werden.</p> <p>Falls die Installation nicht richtig durchgeführt wird, könnten Halterung und/oder Projektor herunterfallen oder umkippen und Verletzungen oder Unfälle verursachen.</p>	
<p>Zur Durchführung der Installation befolgen Sie bitte die Anweisungen in dieser Anleitung.</p> <p>Falls die Anweisungen nicht befolgt werden, könnten Halterung und/oder Projektor herunterfallen oder umkippen und Verletzungen oder Unfälle verursachen.</p>	
<p>Prüfen Sie vor der Installation, ob Konstruktion und Material des Installationsortes stabil genug sind, und verwenden Sie die optimale Installationsmethode.</p> <p>Falls die Arbeit nicht richtig durchgeführt wird, könnten Halterung und/oder Projektor herunterfallen oder umkippen und Verletzungen oder Unfälle verursachen.</p>	
<p>Die Installation an einer Decke oder Wand muss von mindestens zwei Personen durchgeführt werden. Achten Sie außerdem auf einen sichere, stabilen Untergrund, damit Halterung und/oder Projektor nicht herunterfallen.</p>	
<p>Bei Installation an einem hohen Ort, wie an einer Decke oder Wand oder in einem Regal, müssen Sie darauf achten, den mitgelieferten Sicherheitsdraht an Halterung und Projektor zu befestigen, damit der Projektor nicht herunterfällt.</p>	
<p>Bringen Sie nichts mit Ausnahme des mit diesem Produkt kompatiblen EPSON-Projektors an dieser Halterung an.</p> <p>Falls Sie einen nicht mit diesem Produkt kompatiblen Projektor anbringen, könnte die Halterung herunterfallen, umkippen oder beschädigt werden, was die Gefahr ernsthafter oder sogar tödlicher Verletzungen birgt.</p> <p>Prüfen Sie den Katalog auf mit diesem Produkt kompatible Projektoren.</p>	
<p>Achten Sie bei der Installation darauf, eine leicht erreichbare Trennvorrichtung (mit einem Nennstrom von 10 A oder weniger) zu installieren.</p> <p>Falls während der Installation Probleme auftreten, schalten Sie die interne Verkabelung umgehend aus.</p>	
<p>Beachten Sie Folgendes bei der Handhabung des Netzkabels. Andernfalls drohen Brand- und Stromschlaggefahr.</p> <ul style="list-style-type: none"> • Fassen Sie den Stecker nicht mit nassen Händen an • Verwenden Sie kein beschädigtes oder modifiziertes Netzkabel • Wenden Sie keine übermäßige Kraft auf das Netzkabel an • Achten Sie darauf, dass das Kabel während der Installation nicht zwischen Teilen der Halterung usw. eingeklemmt wird 	
<p>Wickeln Sie Kabel nicht um Projektor oder Halterung.</p>	
<p>Führen Sie Kabel bei der Verkabelung so, dass sie nicht an Schrauben und Bolzen entlang verlaufen.</p> <p>Falls die Kabel mit Schrauben oder Bolzen in Kontakt kommen, bestehen Brand- oder Stromschlaggefahr.</p>	






 Warnung	
Achten Sie darauf, die Schrauben oder Bolzen bei der Installation vollständig festzuziehen. Falls sie nicht vollständig festgezogen sind, könnten Halterung und/oder Projektor herunterfallen, umkippen und Verletzungen oder Unfälle verursachen.	
Lösen oder entfernen Sie Schrauben ausschließlich zum Installieren oder Entfernen dieses Produktes.	
Verwenden Sie bei Befestigung der Halterung keine Klebemittel, um ein Lösen der Schrauben zu verhindern; verzichten Sie auch auf Schmiermittel, Öle usw. Falls Sie Klebemittel verwenden, um ein Lösen der Schrauben zu verhindern, oder Dinge, wie Schmiermittel oder Öle, einsetzen, könnte das Projektorgehäuse brüchig werden, umkippen und Verletzungen oder Unfälle verursachen.	
Hängen Sie sich nicht an Halterung oder Projektor; stellen Sie keine schweren Gegenständen auf ihnen ab. Andernfalls könnten Halterung und/oder Projektor herunterfallen oder umkippen und (lebensgefährliche) Verletzungen verursachen.	
Wenden Sie bei der Installation keine übermäßige Kraft auf den Projektor oder die Halterung an. Andernfalls könnten Halterung und/oder Projektor beschädigt werden und (lebensgefährliche) Verletzungen verursachen.	
Nicht in folgenden Situationen installieren. Wenden Sie sich an Ihren örtlichen Händler oder das Epson-Kundencenter. <ul style="list-style-type: none"> • Falls das Produkt heruntergefallen ist oder beschädigt wurde • Falls die Halterung ungewöhnlich oder beschädigt ist 	

Warnungen und Vorsichtsmaßnahmen zu Installationspositionen

 Warnung	
Prüfen Sie Konstruktion und Material der Oberfläche, an der die Halterung installiert wird, und nutzen Sie die optimale Installationsmethode.	
Achten Sie darauf, dass die Oberfläche, an der die Halterung installiert wird, stark genug ist.	
Installieren Sie Halterung und Projektor nicht an instabilen Orten, an denen sie Vibrationen oder Stößen ausgesetzt sein könnten. Die Oberfläche, an der die Halterung befestigt ist, könnte beschädigt werden. Zudem könnten Halterung und/oder Projektor herunterfallen, umkippen und Verletzungen oder Unfälle verursachen.	
Installieren Sie das Produkt nicht an einer geeigneten Oberfläche oder einer Fläche, die nicht stark genug ist. Die Installationsposition muss stark genug sein, Projektor und Produkt zu tragen. Prüfen Sie Gewicht von Projektor und Produkt vor der Installation. Führen Sie Rechnungen zum erlaubten Gewicht usw. durch und installieren Sie beides sicher.	
Installieren oder nutzen Sie den Projektor nicht an Orten, an denen er Regen oder Wasser ausgesetzt sein könnte, wie bspw. im Freien oder in Badezimmern. Andernfalls drohen Brand- und Stromschlaggefahr.	

 Warnung	
Verwenden Sie den Projektor nicht an Orten mit brennbaren oder explosiven Gasen. Falls das Innere des Projektors zu heiß wird, könnte es sich entzünden und einen Brand verursachen.	
Decken Sie die Zu- oder Abluftöffnungen des Projektors nicht ab. Falls Öffnungen abgedeckt werden, kann die interne Temperatur des Projektors ansteigen und einen Brand verursachen.	
 Achtung	
Installieren Sie den Projektor nicht an Orten außerhalb des Betriebstemperaturbereichs des Projektors. Dies könnte zu Beschädigungen am Projektor führen.	
Installieren Sie ihn nicht in der Nähe von Abluftöffnungen, wie Klimaanlage. Falls die Luft von einer Klimaanlage und dergleichen direkt über den Projektor strömt, steigt die Temperatur und der Projektor funktioniert möglicherweise nicht richtig.	
Installieren Sie den Projektor nicht in der Nähe von Leuchtstofflampen. Einige Leuchtstofflampen-Typen können die Fernbedienung des Projektors stören.	
Installieren Sie den Projektor nicht an Orten, an denen intensives Licht, wie z. B. von Leuchtstofflampen, oder direktes Sonnenlicht auf den Fernbedienungsempfänger fallen. Falls starke Lichtstrahlen auf den Fernbedienungsempfänger fallen, funktioniert die Fernbedienung möglicherweise nicht richtig.	
Achten Sie darauf, den Projektor an Orten ohne übermäßige Staub- oder Feuchtigkeitsbelastung zu installieren; andernfalls können Objektiv oder interne Komponenten schmutzig werden.	
Installieren Sie den Projektor nicht an sehr staubigen oder feuchten Orten oder an Orten, die Rauch oder Dampf ausgesetzt sind. Andernfalls drohen Brand- und Stromschlaggefahr. Zudem könnte das Projektorgehäuse beschädigt werden und der Projektor aus der Halterung fallen. Beispiele von Umgebungen, in denen das Gehäuse des Projektors beeinträchtigt werden könnte	
<ul style="list-style-type: none"> • Orte, die übermäßig viel Rauch oder luftgetragenen Ölpartikeln ausgesetzt sind, wie Fabriken oder Küchen • Orte mit flüchtigen Lösungsmitteln oder Chemikalien, wie Fabriken oder Labors • Orte, an denen der Projektor Reinigungsmitteln oder Chemikalien ausgesetzt sein könnte, wie Fabriken oder Küchen • Orte, in denen häufig Aromaöle verwendet werden, wie Entspannungsräume • In der Nähe von Geräten, die übermäßig viel Raum, luftgetragene Ölpartikel oder Schaum produzieren, beispielsweise bei Veranstaltungen 	

Warnhinweise zur Handhabung nach der Installation

 Warnung	
<p>Lösen Sie Schrauben oder Bolzen nach der Installation nicht.</p> <p>Achten Sie darauf, Schrauben und Bolzen regelmäßig auf festen Sitz zu prüfen; ziehen Sie sie bei Bedarf fest. Falls sie nicht vollständig festgezogen sind, könnten Halterung und/oder Projektor herunterfallen, umkippen und Verletzungen oder Unfälle verursachen.</p>	
<p>Wenden Sie keine übermäßige Kraft auf den die Halterung an, hängen Sie sich nicht an die Halterung.</p>	
<p>Demontieren oder modifizieren Sie dieses Produkt, sofern nicht in dieser Anleitung beschrieben.</p>	
<p>Reinigen Sie das Produkt nicht mit einem feuchten Tuch oder Lösungsmitteln, wie Alkohol, Benzin oder Verdünner.</p> <p>Wasser könnte in den Projektor gelangen oder das Gehäuse könnte beschädigt oder brüchig werden, wodurch Stromschlaggefahr besteht.</p>	

Sichere Verwendung des Produktes

Sicherheitsanweisungen 1

Installationsart 1

Sicherheitshinweise 1

Allgemeine Informationen 1

Warnhinweise zur Installation des Projektors 2

Warnungen und Vorsichtsmaßnahmen zu
Installationspositionen 3

Warnhinweise zur Handhabung nach der
Installation 5

Projektor vorbereiten

Verpackungsinhalt 7

Installation

Halterung am Projektor anbringen 9

Projektorplatte anpassen 9

Armeinheit anbringen 10

Sicherheitsdraht installieren 12

Projektor an der Installationsposition anbringen 13

Installationsposition ermitteln 13

Positionen und Abmessungen von
Montagelöchern 13

Wenn der Montageuntergrund Beton ist 13

Wenn der Montageuntergrund Holz ist 14

Platte für Deckenhalterung/Bodenständer
anbringen 14

Armeinheit an der Platte von Deckenhalterung/
Bodenständer anbringen 16

Kabel anschließen 17

Montageabdeckung anbringen 18

Ausrichtung des Projektors anpassen 21

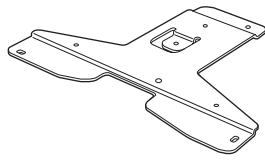
Anhang

Technische Daten 23

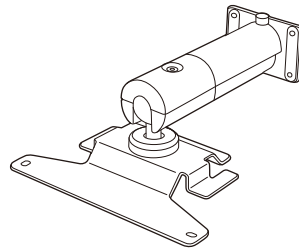
Aussehen 23

Verpackungsinhalt

Stellen Sie sicher, dass Sie folgende Zubehörteile haben, bevor Sie beginnen.



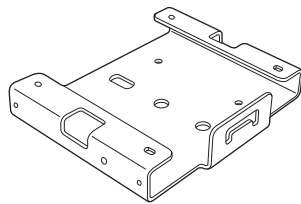
Projektorplatte



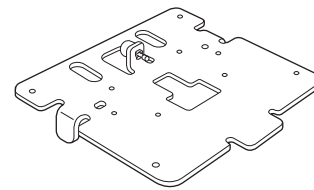
Armeinheit



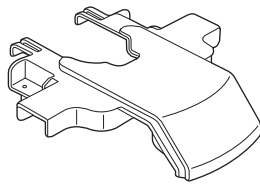
Kabelklemme



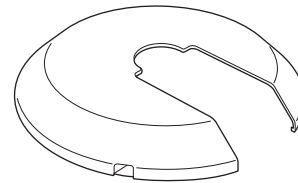
Deckenhalterung/Bodenständer – Platte A



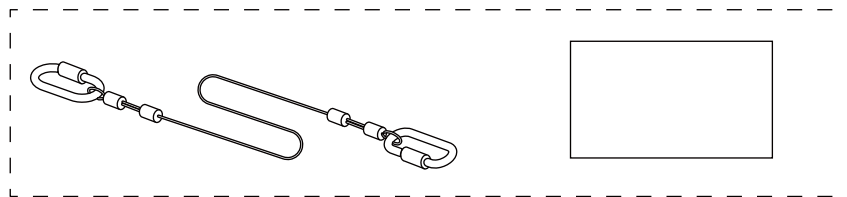
Deckenhalterung/Bodenständer – Platte B



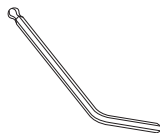
Montageabdeckung A



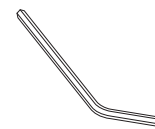
Montageabdeckung B



Sicherheitsdraht-Set (Sicherheitsdraht (500 mm) und *Bedienungsanleitung*)




Sechskantschlüssel (M4-Kugelpunkt)



Sechskantschlüssel (M6)

Form	Name	Anzahl	Verwendung
	Sechskantschraube (M4 x 14 mm, mit Unterlegscheibe): schwarz	4	Sichert Deckenhalterung/Bodenständer – Platte B.
		4	Sichert die Armeinheit an der Platte von Deckenhalterung/Bodenständer.

Form	Name	Anzahl	Verwendung
	Sechskantschraube (M4 x 10 mm, mit Unterlegscheibe): silbern	4	Befestigt die Projektorplatte am Projektor.
		3	Befestigt die Armeinheit an der Projektorplatte.
		6	Sichert die Montageabdeckung.

Halterung am Projektor anbringen

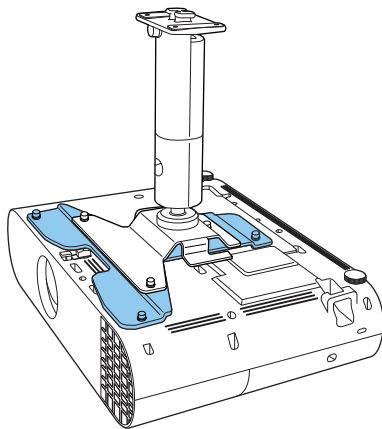
Befestigen Sie Projektorplatte und Armeinheit an der Basis des Projektors.

Achtung

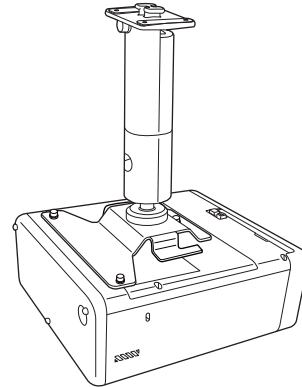
Achten Sie darauf, die Halterung mit den mitgelieferten Schrauben am Projektor zu befestigen.

Projektorplatte anpassen

Möglicherweise müssen Sie die Projektorplatte je nach dem eingesetzten Modell anbringen. Gehen Sie zu den Installationsschritten der Armeinheit.

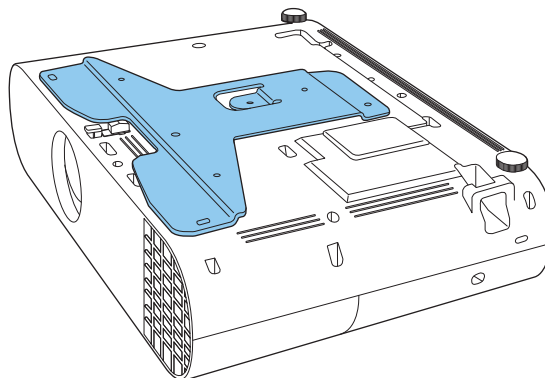


Projektorplatte erforderlich

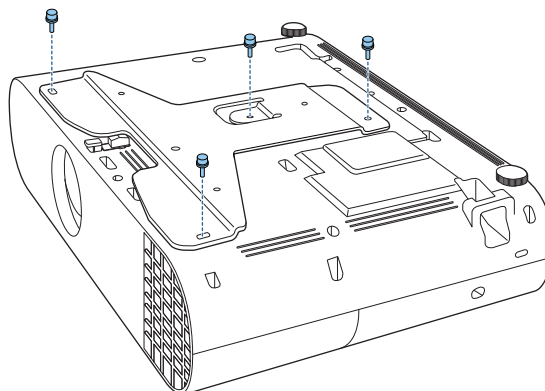


Projektorplatte nicht erforderlich

- 1** Platzieren Sie die Projektorplatte an der Basis des Projektors.
Richten Sie die Schraubenlöcher am Montagepunkt des Projektors an den Schraubenlöchern an der Projektorplatte aus.

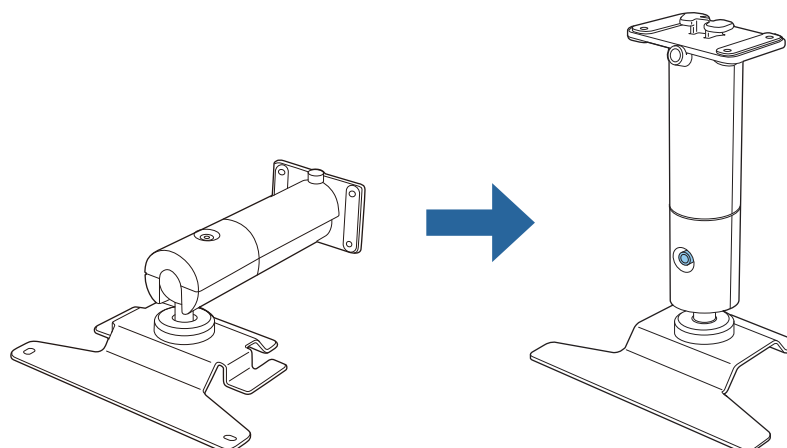


2 Befestigen Sie die Projektorplatte mit den mitgelieferten Schrauben (M4 x 10 mm, 4 Stück).

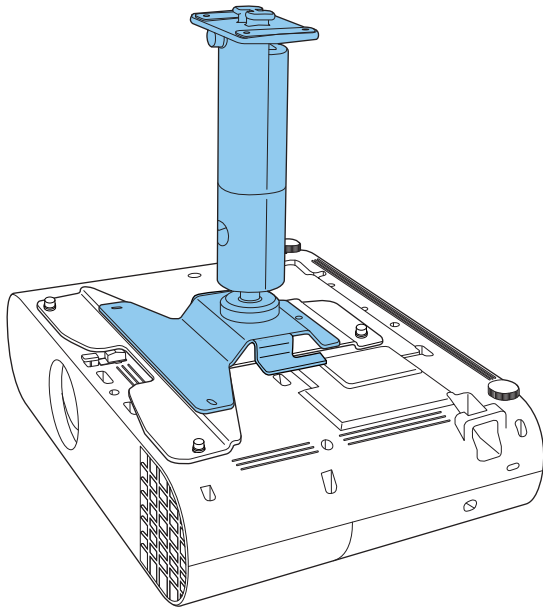


Armeinheit anbringen

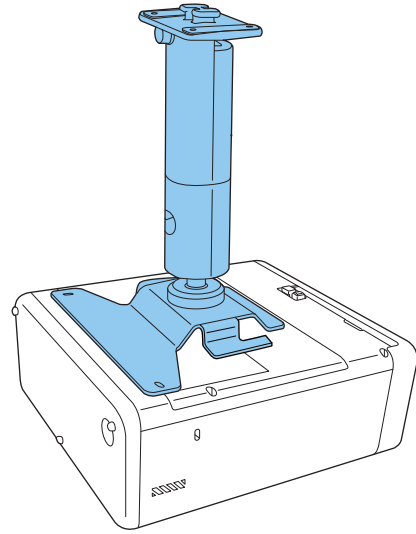
1 Begradigen Sie die Armeinheit und ziehen Sie die Schrauben fest.



- 2** Platzieren Sie die Armeinheit am Projektor.
Richten Sie die Schraubenlöcher an der Projektorplatte oder die Schraubenlöcher am Projektor an den Schraubenlöchern der Armeinheit aus.

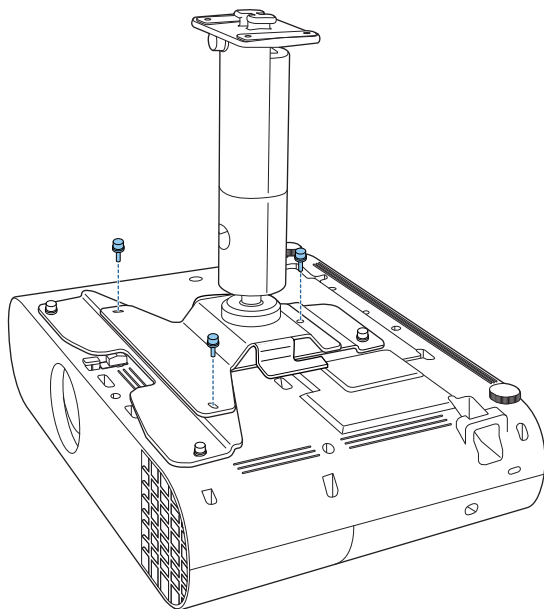


Mit Projektorplatte

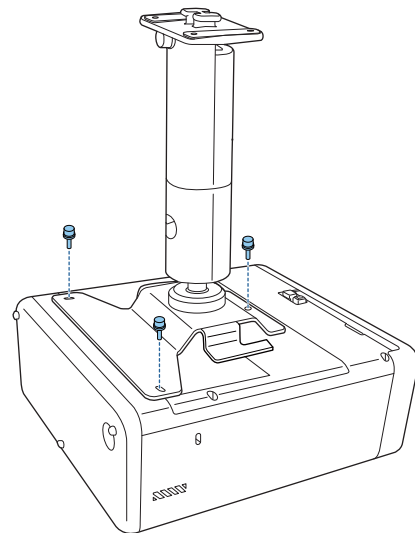


Ohne Projektorplatte

- 3** Befestigen Sie die Armeinheit mit den mitgelieferten Schrauben (M4 x 10 mm, 3 Stück) am Projektor.



Mit Projektorplatte



Ohne Projektorplatte

Sicherheitsdraht installieren

Bei Installation an einem hohen Ort, wie einer Decke oder Wand oder in einem Regal, installieren Sie nach Anbringung der Armeinheit den mitgelieferten Sicherheitsdraht, damit der Projektor nicht herunterfällt.

Einzelheiten zur Installation finden Sie in der *Bedienungsanleitung* im Sicherheitsdraht-Set.

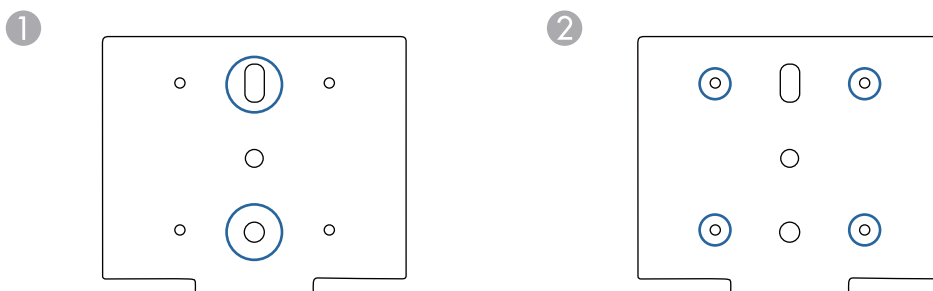
Projektor an der Installationsposition anbringen

Installationsposition ermitteln

Prüfen Sie die Position, an der das Bild projiziert werden soll, und bestimmen Sie die Montageposition für die/de(n) Deckenhalterung/Bodenständer.

Berücksichtigen Sie dabei unbedingt die Konstruktion (Stärke usw.) der Installationsposition, an der Sie Deckenhalterung/Bodenständer installieren werden.

Positionen und Abmessungen von Montagelöchern



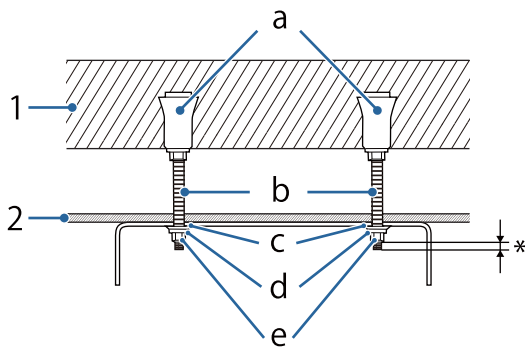
- 1 Ankerbolzen-Montageloch (M10)
- 2 Holzschraube-Montageloch (Nenndurchmesser 5,1)

Wenn der Montageuntergrund Beton ist

Befestigen Sie die Halterung mit zwei Dübeln in Beton. Achten Sie darauf, handelsübliche Dübel zu kaufen.

Warnung

- Prüfen Sie vorab, ob der Beton der Installationsfläche dem kombinierten Gewicht dieses Produktes und des Projektors standhalten kann. Beachten Sie außerdem Seitwärtsbewegungen, die aufgrund von Erdbeben usw. auftreten können. Falls der Beton brüchig oder in schlechtem Zustand ist, müssen sie ihn mit Armierungseisen und dergleichen sicher verstärken.
- Installieren Sie Dübel entsprechend den von den Herstellern der Materialien angegebenen Standards und Methoden, damit sie nicht brechen, sich lösen oder falsch ausrichten.
- Achten Sie darauf, bei Installation oder nach Abschluss der Winkeleinstellung alle Schrauben sicher anzuziehen.
Ziehen Sie die Schrauben nach der Anbringung weiter an, sodass sie sicher befestigt sind.
- Beachten Sie, dass wir keine Verantwortung übernehmen, falls das Gerät aufgrund unzureichender Festigkeit usw. der Installationsfläche herunterfällt und Unfälle verursacht.



- 1: Beton
- 2: Deckenfläche
- a: Dübel mit Innengewinde
- b: Augenschraube
- c: Flache Unterlegscheibe
- d: Federscheibe
- e: Sechskantmutter
- *: Mindestens 3 Rippen der Schraube sollten sichtbar sein.

Verlängern Sie sie jedoch nicht um mehr als 9 mm, da sie andernfalls die Halterung berührt.

■ Wenn der Montageuntergrund Holz ist

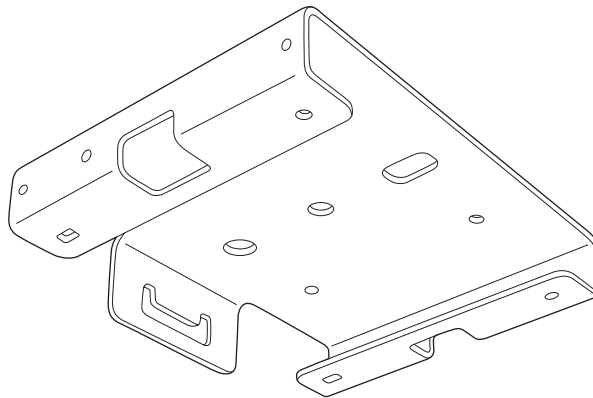
Warnung

Achten sie bei der Installation mit Holzschrauben darauf, dass die Basis mindestens 20 mm dick ist.

Platte für Deckenhalterung/Bodenständer anbringen

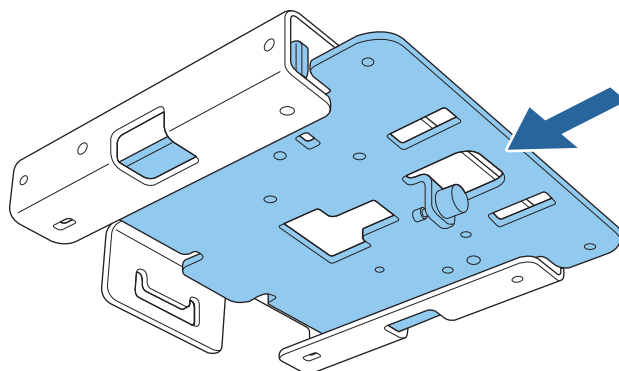
1 Bohren Sie Montagelöcher in die Installationsfläche.

2 Befestigen Sie Platte A von Deckenhalterung/Bodenständer an der Decke.
Achten Sie darauf, handelsübliche Artikel für die Installation zu erwerben.



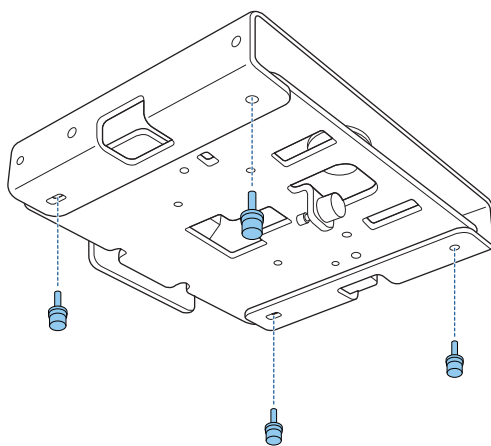
3

Stecken Sie Platte B von Deckenhalterung/Bodenständer in Platte A.



4

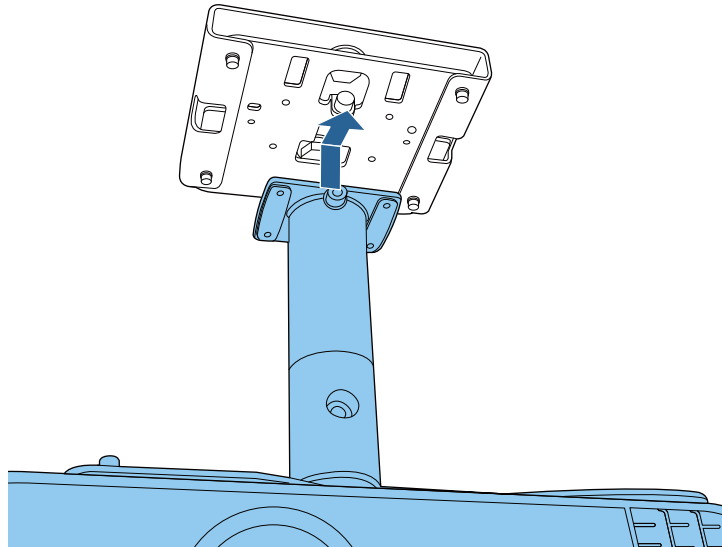
Ziehen Sie die mitgelieferten Schrauben (M4 x 14 mm, 4 Stück) mit dem Sechskantschlüssel (M4-Kugelpunkt) fest und sichern Sie Platte B von Deckenhalterung/Bodenständer.



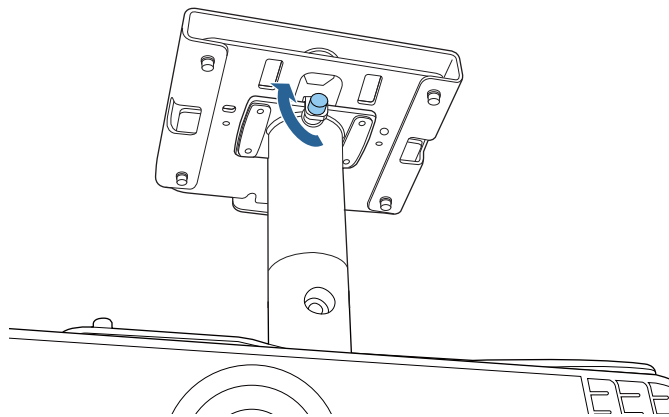
Armeinheit an der Platte von Deckenhalterung/Bodenständer anbringen

- 1 Stecken Sie die Armeinheit in die bereitgestellte Lücke in Platte B von Deckenhalterung/Bodenständer.

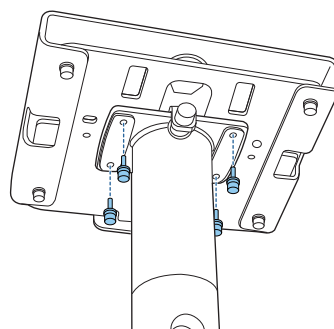
Schieben Sie sie nach vorne und richten Sie die Schraubenlöcher in Platte B von Deckenhalterung/Bodenständer an den Schraubenlöchern in der Armeinheit aus.



- 2 Ziehen Sie die Schrauben für Platte B von Deckenhalterung/Bodenständer zur vorübergehenden Befestigung der Armeinheit an.



- 3 Ziehen Sie die mitgelieferten Schrauben (M4 x 14 mm, 4 Stück) mit einem Sechskantschlüssel (M4-Kugelpunkt) fest, um die Armeinheit zu sichern.



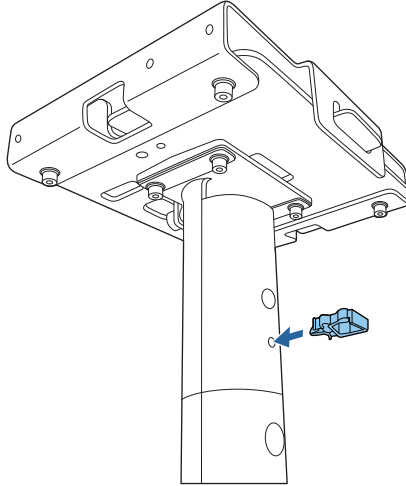
Kabel anschließen

Verbinden Sie die erforderlichen Kabel mit den Anschlüssen des Projektors.

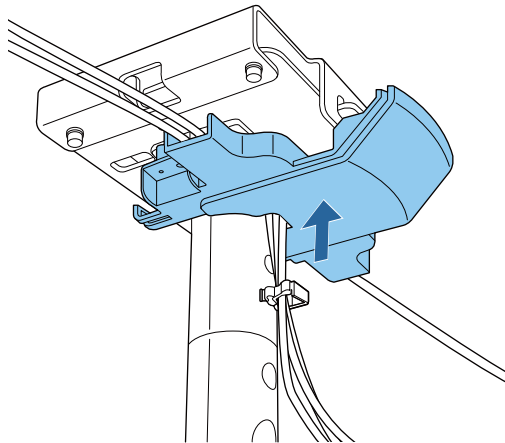
Informationen zu den Anschlüssen finden Sie in der *Bedienungsanleitung* des Projektors.

Montageabdeckung anbringen

- 1 Bringen Sie die Kabelklemme an der Armeinheit an.
Setzen Sie die Kabelklemme durch die Löcher in der Armeinheit ein.

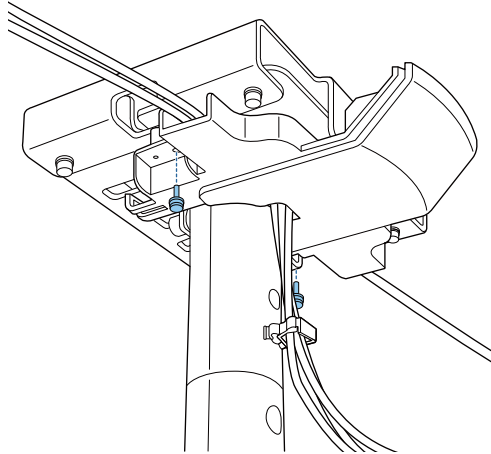


- 2 Befestigen Sie Montageabdeckung A an der Platte von Deckenhalterung/Bodenständer.



Führen Sie die Kabel bei Bedarf durch die Kabelpfade oder Kabelklemmen. Falls die Kabel zu dick oder zu zahlreich sind, schließen Sie sie direkt an, ohne sie durch die Kabelpfade oder Kabelklemmen zu führen.

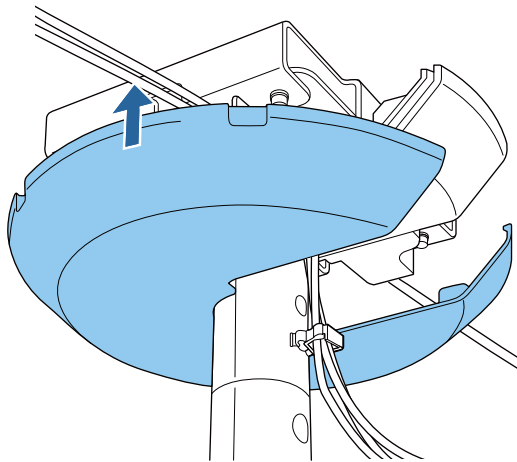
- 3 Befestigen Sie die Montagehalterung A mit den mitgelieferten Schrauben (M4 x 10 mm, 2 Stück).



! Achtung

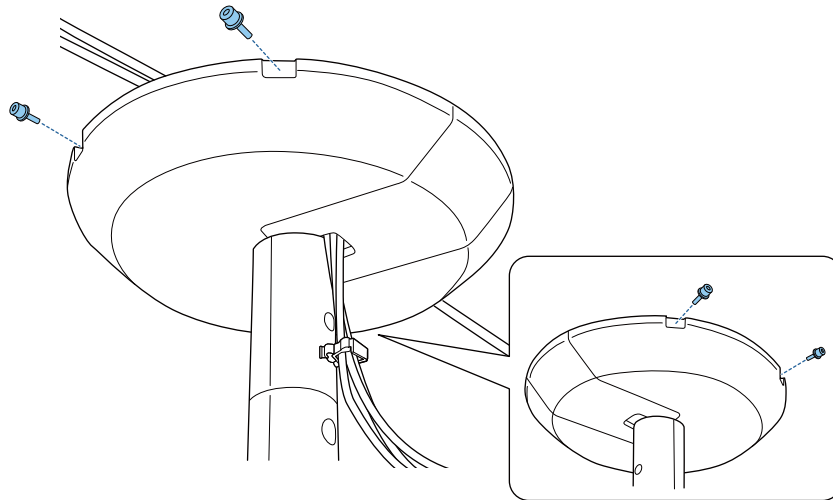
Achten Sie darauf, dass die Kabel nicht von der Montageabdeckung eingeklemmt werden. Wenn Sie die Schrauben festziehen, während Kabel zwischen Abdeckung und Halterung eingeklemmt sind, könnten sich die Kabel lösen.

- 4 Bringen Sie Montageabdeckung B an.
Haken Sie sie über Abdeckung A und befestigen Sie sie vorübergehend.



5 Befestigen Sie die Montagehalterung B mit den mitgelieferten Schrauben (M4 x 10 mm, 4 Stück).

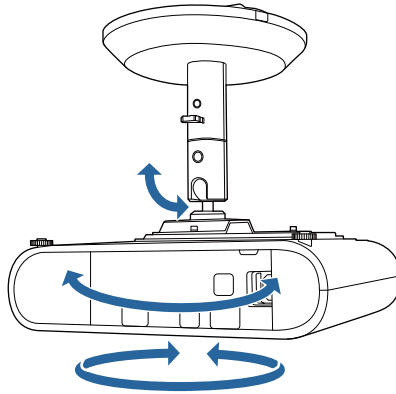
Richten Sie die Schraubenlöcher aus, während Sie Montageabdeckung B von unten stützen.



Ausrichtung des Projektors anpassen

Sie können das Kugelgelenk des Projektorstützabschnitts zur Anpassung von Ausrichtung und Winkel des Projektors verwenden.

Der Winkelbereich variiert je nach Modell. Weitere Einzelheiten entnehmen Sie bitte der mit dem Projektor gelieferten *Bedienungsanleitung*.



1

Drücken Sie die Ein-/Austaste am Projektor oder an der Fernbedienung.

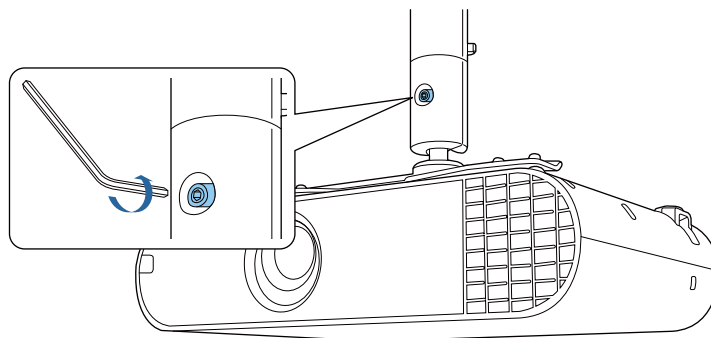
Der Projektor schaltet sich ein.

 **Achtung**

Stellen Sie vor Einschalten des Projektors sicher, dass die Halterung zuverlässig gesichert ist.

2

Lösen Sie die Schraube des Kugelgelenks der Armeinheit mit einem Sechskantschlüssel (M6).

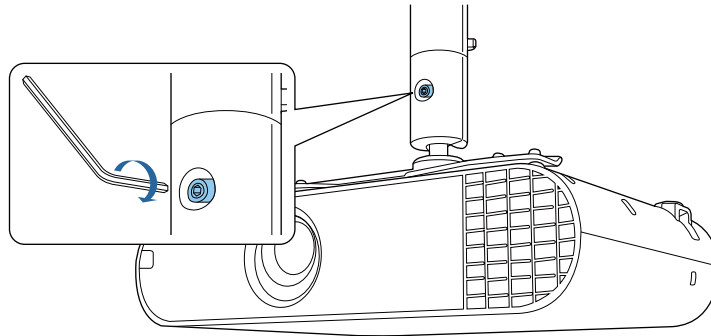


3

Passen Sie die Ausrichtung des Projektors an.

Achten Sie darauf, den Projektor bei Anpassung der Ausrichtung von unten zu stützen.

- 4** Ziehen Sie nach Abschluss der Anpassungen die Schraube für den Kugelgelenkabschnitt mit einem Sechskantschlüssel (M6) sicher fest.



- Achten Sie nach den Anpassungen darauf, die Schrauben des Kugelgelenks vollständig anzuziehen. Falls Sie nicht vollständig angezogen wurden, verändert der Winkel des Projektors den Versatz der Bildposition.
- Passen Sie nach Anpassung der Projektorausrichtung Größe und Fokus des projizierten Bildes an. Weitere Einzelheiten entnehmen Sie bitte der mit dem Projektor gelieferten *Bedienungsanleitung*.

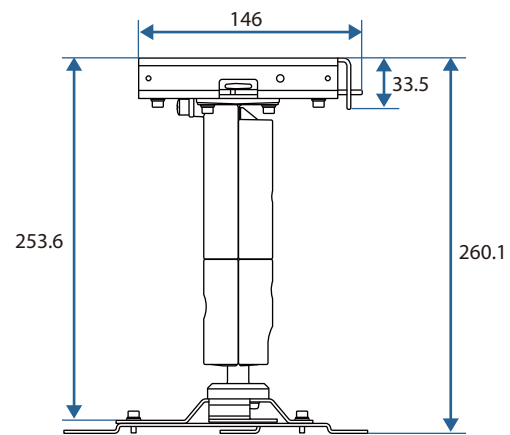
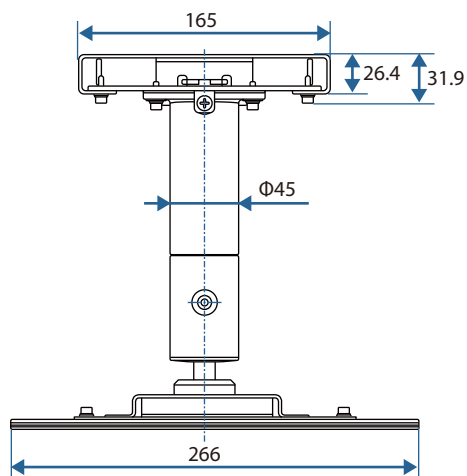
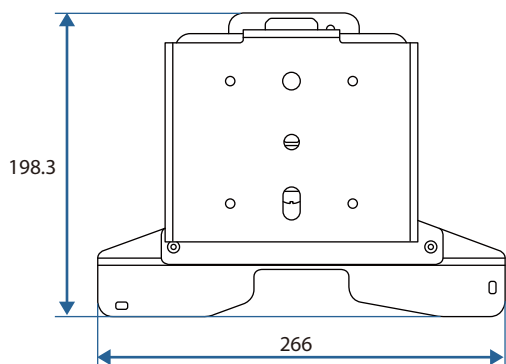
Technische Daten

Punkt	Technische Daten
Gewicht (Projektorplatte, Armeinheit, Platte A/B von Deckenhalterung/ Bodenständer, Montageabdeckung A/B)	Ca. 2,7 kg
Maximale Tragfähigkeit	Ca. 10,0 kg

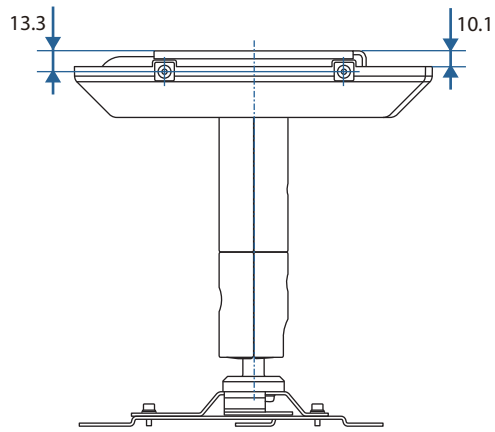
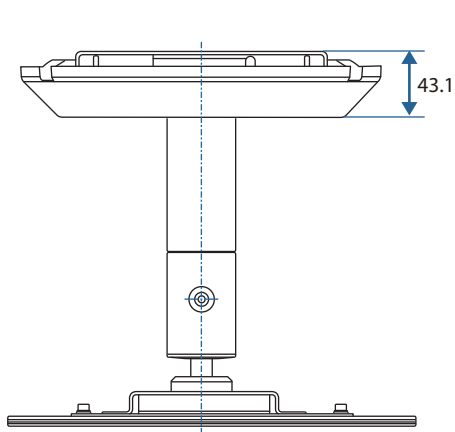
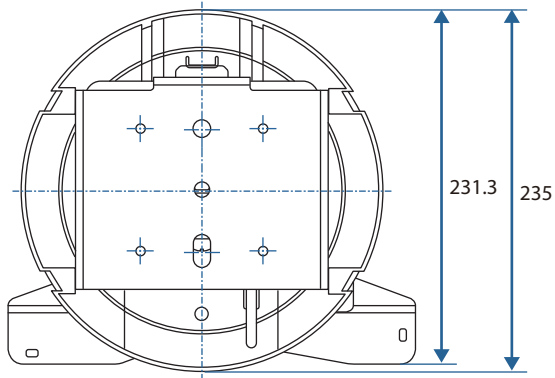
Aussehen

[Einheit: mm]

Ohne Montageabdeckung



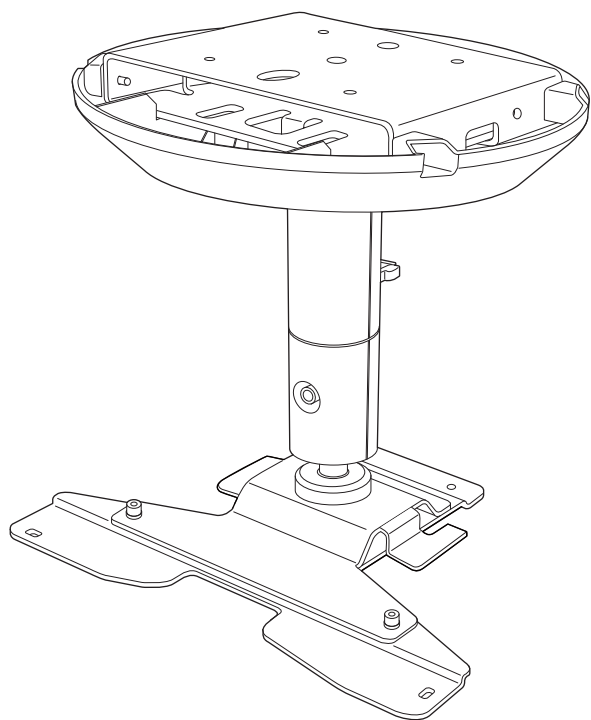
Mit angebrachter Montageabdeckung



©SEIKO EPSON CORPORATION 2019. All rights reserved.

ELPMB60

Guida di installazione



Istruzioni sulla sicurezza

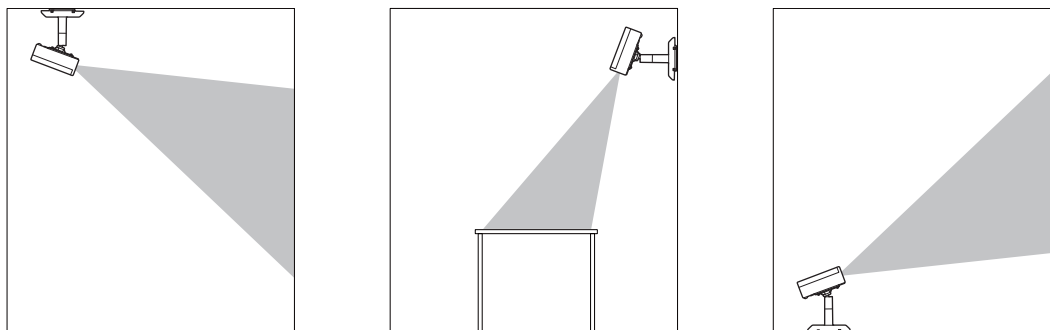
La presente guida spiega come installare il proiettore a soffitto, a parete o sul pavimento tramite il supporto a soffitto/piedistallo ELPMB60.

Leggere la presente guida con attenzione per utilizzare in sicurezza i supporti di installazione e il proiettore. Una manipolazione scorretta, che ignora le istruzioni della presente guida, può danneggiare il prodotto e provocare infortuni o danni materiali. Tenere la presente guida di installazione a portata di mano per consultazioni future.

Leggere il *Manuale dell'utente* e le *Istruzioni sulla sicurezza* del proiettore e seguire quanto prescritto da questi documenti per conoscere come maneggiare il proiettore.

Tipo di installazione



Questo prodotto può essere installato a soffitto, a parete o sul pavimento.






Indicazioni sulla sicurezza

La documentazione e il prodotto impiegano simboli grafici per mostrare come utilizzare il prodotto correttamente e in sicurezza per evitare lesioni a clienti e persone e danni alla proprietà.









Le indicazioni e il relativo significato sono riportati di seguito. Assicurarsi di comprendere in modo appropriato tali indicazioni prima di leggere la guida.






Simbolo	Descrizione
 Avvertenza	Questo simbolo segnala informazioni che, se ignorate, possono causare infortuni o il decesso in caso di manipolazione scorretta.
 Attenzione	Questo simbolo segnala informazioni che, se ignorate, possono causare infortuni o danni fisici in caso di manipolazione scorretta.

Indicazioni sulle informazioni generali









Simboli	Descrizione
	Simbolo che indica un'azione da non eseguire
	Simbolo che indica un'azione da eseguire
	Simbolo che segnala informazioni utili o integrative








Precauzioni per l'installazione del proiettore

 Avvertenza	
<p>L'installazione del proiettore deve essere eseguita esclusivamente da un professionista con l'abilità e le conoscenze necessarie.</p> <p>Se i lavori di installazione non vengono eseguiti correttamente, il supporto o il proiettore potrebbero cadere o ribaltarsi provocando lesioni o incidenti.</p>	
<p>Per installare il prodotto, seguire le istruzioni della presente guida.</p> <p>Se non vengono seguite le istruzioni, il supporto o il proiettore potrebbero cadere o ribaltarsi provocando lesioni o incidenti.</p>	
<p>Prima dell'installazione, controllare che la struttura e il materiale della posizione di installazione siano abbastanza robusti e utilizzare la modalità di installazione migliore.</p> <p>Se i lavori non vengono eseguiti correttamente, il supporto o il proiettore potrebbero cadere o ribaltarsi provocando lesioni o incidenti.</p>	
<p>L'installazione a soffitto o a parete deve essere eseguita da almeno due persone. Inoltre, accertarsi di utilizzare un punto d'appoggio sicuro e stabile in modo da non far cadere il supporto o il proiettore.</p>	
<p>Quando si esegue l'installazione in una posizione elevata come il soffitto, una parete o una mensola, accertarsi di fissare il cavo di sicurezza fornito al supporto e al proiettore per evitare che il proiettore cada.</p>	
<p>Non fissare nulla al supporto ad eccezione del proiettore EPSON compatibile con questo prodotto.</p> <p>Se si fissa un proiettore non compatibile con il prodotto, il supporto potrebbe cadere, ribaltarsi o danneggiarsi provocando decesso o gravi infortuni.</p> <p>Controllare il catalogo per i proiettori compatibili con questo prodotto.</p>	
<p>Durante l'installazione, accertarsi di installare un interruttore di circuito (con una corrente nominale di massimo 10 A) in una posizione raggiungibile.</p> <p>Se si verificano problemi durante l'installazione, togliere immediatamente l'alimentazione.</p>	
<p>Tenere presente quanto segue quando si maneggia il cavo di alimentazione. In caso contrario, potrebbero verificarsi incendi o scosse elettriche.</p> <ul style="list-style-type: none"> • Non maneggiare la spina con le mani bagnate • Non utilizzare un cavo di alimentazione danneggiato o modificato • Non applicare una forza eccessiva al cavo di alimentazione • Fare in modo che il cavo non rimanga intrappolato tra le parti del supporto o altri oggetti durante l'installazione 	
<p>Non avvolgere cavi attorno al proiettore o al supporto.</p>	
<p>Quando si effettua il cablaggio e operazioni simili, instradare i cavi in modo da evitare viti e bulloni.</p> <p>Se i cavi entrano in contatto con viti o bulloni, potrebbero verificarsi incendi o scosse elettriche.</p>	
<p>Durante l'installazione stringere completamente le viti o i bulloni.</p> <p>Se non vengono stretti completamente, il supporto o il proiettore potrebbero cadere o ribaltarsi provocando lesioni o incidenti.</p>	
<p>Durante l'installazione o la rimozione del prodotto, non allentare o rimuovere le viti per nessun motivo.</p>	






 Avvertenza	
<p>Quando si fissa il supporto, non utilizzare sostanze adesive per evitare che le viti si allentino e non utilizzare lubrificanti, oli e sostanze simili.</p> <p>Se si utilizzano sostanze adesive per evitare che le viti si allentino, o se si utilizzano lubrificanti o oli, la copertura di supporto o il proiettore potrebbe creparsi, cadere o ribaltarsi provocando lesioni o incidenti.</p>	
<p>Non appendersi al supporto o al proiettore e non posizionarvi al di sopra oggetti pesanti.</p> <p>In caso contrario, il supporto o il proiettore potrebbero cadere o ribaltarsi e provocare lesioni o il decesso.</p>	
<p>Durante l'installazione, non applicare forza eccessiva al proiettore o al supporto.</p> <p>In caso contrario, il supporto o il proiettore potrebbero danneggiarsi e provocare lesioni o il decesso.</p>	
<p>Non eseguire l'installazione nelle seguenti situazioni. Rivolgersi al proprio rivenditore locale o al call center di assistenza Epson.</p> <ul style="list-style-type: none"> • Se il prodotto cade o si danneggia prima o durante l'installazione • Se il supporto risulta anomalo o danneggiato 	

Avvertenze e precauzioni inerenti all'ubicazione dell'installazione

 Avvertenza	
<p>Controllare la struttura e il materiale della superficie su cui sarà installato il supporto e utilizzare il metodo di installazione migliore.</p>	
<p>Accertarsi che la superficie su cui sarà installato il supporto sia sufficientemente robusta.</p>	
<p>Non installare il supporto o il proiettore in una posizione instabile dove potrebbero essere soggetti a vibrazioni o urti.</p> <p>La superficie su cui è fissato il supporto potrebbe danneggiarsi. Inoltre, il supporto o il proiettore potrebbero cadere o ribaltarsi e provocare lesioni o incidenti.</p>	
<p>Eeguire l'installazione in una posizione che sia abbastanza robusta da sopportare il carico e che non sia obliqua.</p> <p>La posizione di installazione deve essere sufficientemente robusta da sostenere il proiettore e questo prodotto. Verificare il peso del proiettore e di questo prodotto prima dell'installazione, eseguire i calcoli del peso consentito e quindi installarli in sicurezza.</p>	
<p>Non installare o utilizzare il proiettore in luoghi esposti a intemperie o umidità, come esterni, bagni o docce.</p> <p>In caso contrario, potrebbero verificarsi incendi o scosse elettriche.</p>	
<p>Non utilizzare il proiettore in un luogo soggetto a gas combustibile o esplosivo.</p> <p>Se l'interno del proiettore si surriscalda, potrebbe prendere fuoco e provocare incendi.</p>	
<p>Non coprire la presa o lo sfiatatoio d'aria del proiettore.</p> <p>Se la presa o lo sfiatatoio vengono coperti, la temperatura interna del proiettore potrebbe aumentare e causare un incendio.</p>	

 Attenzione	
<p>Non installare il proiettore in un luogo con temperature oltre quelle operative del proiettore.</p> <p>Ambienti simili potrebbero danneggiare il proiettore.</p>	
<p>Installarlo lontano da prese d'aria come quelle dei condizionatori.</p> <p>Se l'aria di un condizionatore e apparecchiature simili scorre direttamente sul proiettore, la temperatura aumenta e il proiettore potrebbe non funzionare correttamente.</p>	
<p>Installarlo lontano da luci fluorescenti.</p> <p>Alcuni tipi di luci fluorescenti possono interferire con il telecomando del proiettore.</p>	
<p>Installarlo in un luogo dove luci forti quali luci fluorescenti e la luce solare diretta non illuminino il ricevitore del telecomando.</p> <p>Se il ricevitore del telecomando è illuminato da luci forti, il telecomando potrebbe non funzionare correttamente.</p>	
<p>Installare il prodotto in luoghi privi di polvere e umidità eccessive per evitare che l'obiettivo o i componenti ottici si sporchino.</p>	
<p>Non installare il proiettore in posizioni esposte a livelli elevati di polvere o umidità o in una posizione esposta a fumi o vapori.</p> <p>In caso contrario, potrebbero verificarsi incendi o scosse elettriche. Anche la copertura del proiettore potrebbe deteriorarsi e danneggiarsi provocandone la caduta dal supporto.</p> <p>Esempi di ambienti che potrebbero provocare la caduta del proiettore per via del deterioramento della copertura</p> <ul style="list-style-type: none"> • Luoghi esposti a fumi o particelle d'olio volatili come fabbriche e cucine • Luoghi contenenti solventi o agenti chimici volatili, quali fabbriche o laboratori • Luoghi dove il proiettore può essere esposto a detersivi o agenti chimici, quali fabbriche o cucine • Luoghi dove sono utilizzati oli aromatici, come sale relax • In prossimità di dispositivi che producono fumi, particelle oleose volatili eccessivi o schiume ad eventi 	

Precauzioni per la manipolazione dopo l'installazione

 Avvertenza	
<p>Non allentare mai le viti o i bulloni dopo l'installazione.</p> <p>Controllare regolarmente che non vi siano viti o bulloni allentati e, nel caso, stringerli completamente. Se non vengono stretti completamente, il supporto o il proiettore potrebbero cadere o ribaltarsi provocando lesioni o incidenti.</p>	
<p>Durante l'installazione, non applicare forza eccessiva al supporto o appenderlo.</p>	
<p>Non smontare o modificare il prodotto ad eccezione di quanto indicato nella presente guida.</p>	
<p>Durante la pulizia del prodotto, non utilizzare un panno bagnato o solventi quali alcool, benzina o diluenti.</p> <p>Il liquido potrebbe penetrare nel proiettore o la copertura potrebbe deteriorarsi e spaccarsi provocando scosse elettriche.</p>	

Uso sicuro del prodotto

Istruzioni sulla sicurezza 1

- Tipo di installazione 1
- Indicazioni sulla sicurezza 1
- Indicazioni sulle informazioni generali 1
- Precauzioni per l'installazione del proiettore 2
- Avvertenze e precauzioni inerenti
all'ubicazione dell'installazione 3
- Precauzioni per la manipolazione dopo
l'installazione 4

Preparazione del proiettore

Contenuto della confezione 6

Procedura di installazione

Fissaggio del supporto al proiettore 8

- Fissaggio della piastra del proiettore 8
- Fissaggio del braccio 9

Installazione del cavo di sicurezza 11

Fissaggio del proiettore al luogo di installazione 12

- Determinazione del luogo di installazione 12
 - Posizione e dimensioni dei fori di
installazione 12
 - Quando il punto di montaggio è in cemento
..... 12
 - Quando il punto di montaggio è in legno
..... 13
- Fissaggio della piastra per supporto a soffitto/
pedistallo 13
- Fissaggio del braccio alla piastra per supporto
a soffitto/pedistallo 15

Collegamento dei cavi 16

Fissaggio del coperchio del supporto 17

Regolazione dell'orientamento del proiettore 20

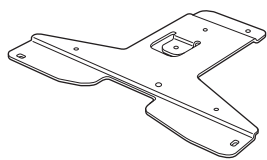
Appendice

Specifiche tecniche 22

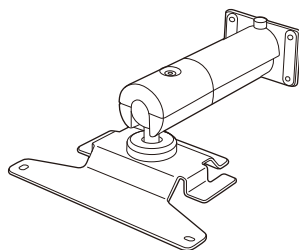
- Aspetto 22

Contenuto della confezione

Controllare di disporre di tutti i seguenti accessori prima di iniziare i lavori.



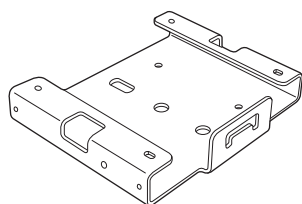
Piastra del proiettore



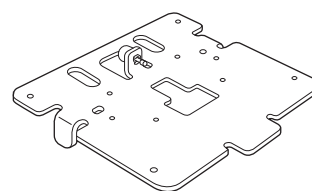
Braccio



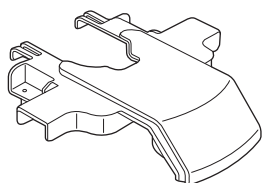
Morsetto per cavi



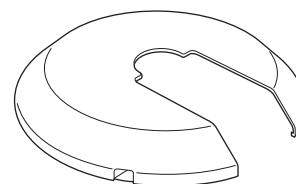
Piastra A per supporto a soffitto/piedistallo



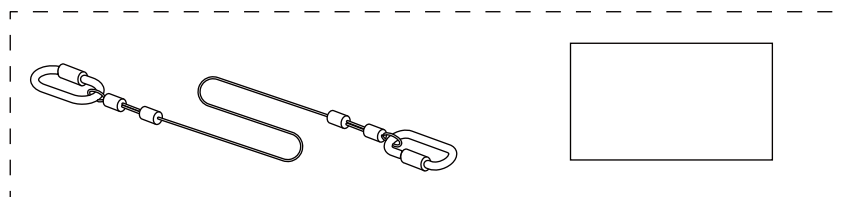
Piastra B per supporto a soffitto/piedistallo



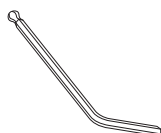
Copertura supporto A



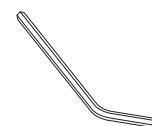
Copertura supporto B



Set Cavo di sicurezza set (cavo di sicurezza (500 mm) e *Manuale dell'utente*)




Chiave esagonale (punta arrotondata M4)



Chiave esagonale (M6)

Forma	Nome	Quantità	Applicazione
	Vite a testa esagonale incassata M4 x 14 mm (con rondella)	4	Fissa la piastra B per supporto a soffitto/piedistallo.
		4	Fissa il braccio alla piastra per supporto a soffitto/piedistallo.

Preparazione del proiettore

Forma	Nome	Quantità	Applicazione
	Vite a testa esagonale incassata M4 x 10 mm (con rondella): argento	4	Fissa la piastra del proiettore al proiettore.
		3	Fissa il braccio alla piastra del proiettore.
		6	Fissa il coperchio del supporto.

Fissaggio del supporto al proiettore

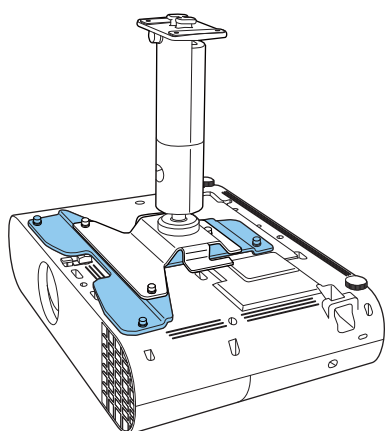
Fissare la piastra del proiettore e il braccio alla base del proiettore.

Attenzione

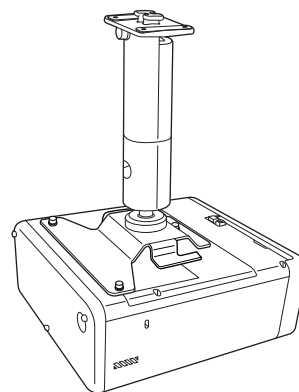
Accertarsi di utilizzare le viti fornite quando si fissa il supporto al proiettore.

Fissaggio della piastra del proiettore

Potrebbe non essere necessario fissare la piastra del proiettore a seconda del modello in uso. Consultare la procedura di installazione del braccio.

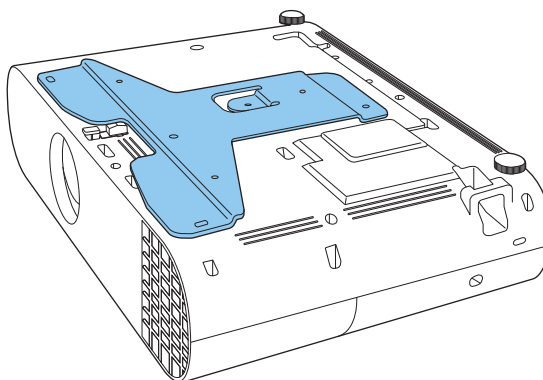


Piastra del proiettore necessaria



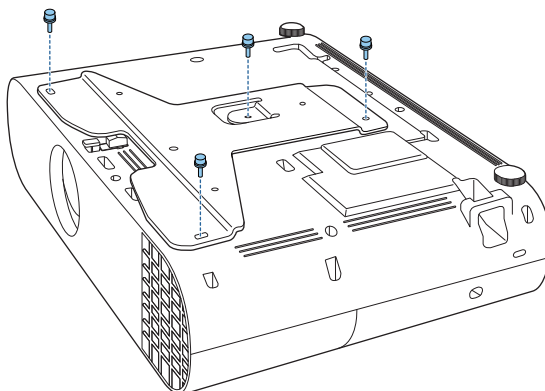
Piastra del proiettore non necessaria

- 1** Posizionare la piastra del proiettore sulla base del proiettore.
Allineare i fori delle viti ai punti di fissaggio per il montaggio diretto con i fori delle viti sul supporto del proiettore.



2

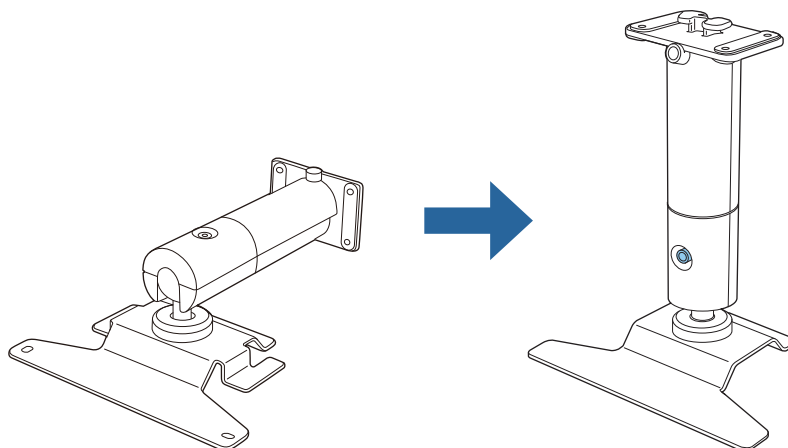
Fissare la piastra del proiettore utilizzando le viti M4 x 10 mm fornite (x4).



Fissaggio del braccio

1

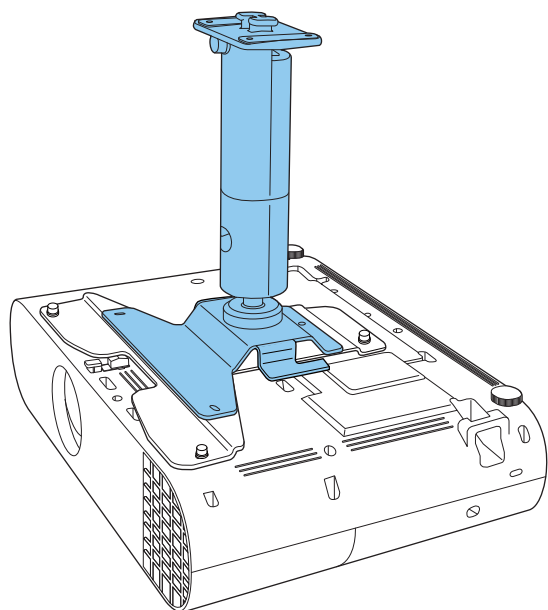
Raddrizzare il braccio e stringere le viti.



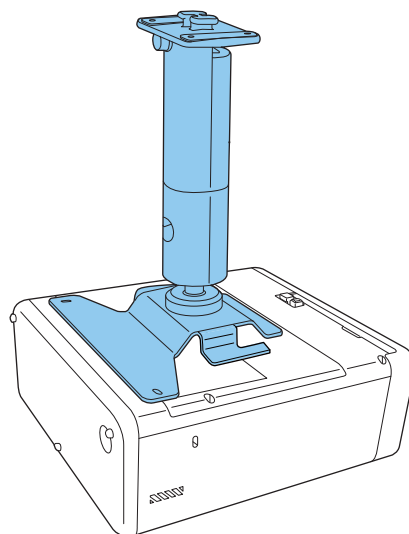
2

Posizionare il braccio sul proiettore.

Allineare i fori delle viti sulla piastra del proiettore o i fori delle viti sul proiettore con i fori delle viti sul braccio.



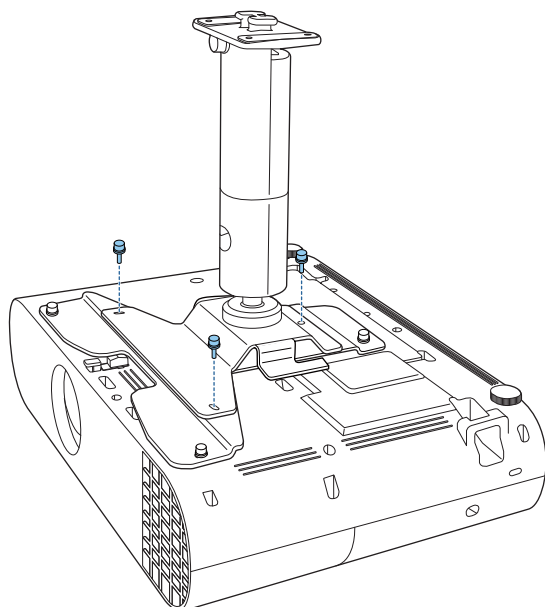
Con piastra del proiettore



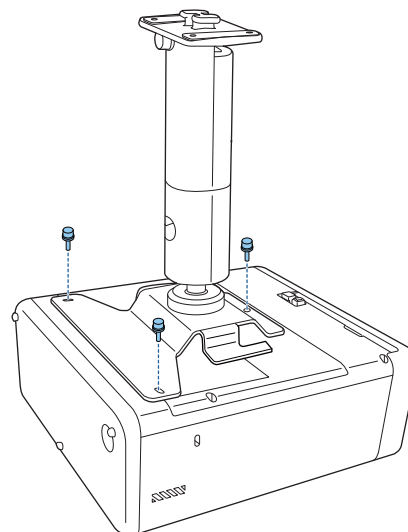
Senza piastra del proiettore

3

Fissare il braccio al proiettore utilizzando le viti M4 x 10 mm fornite (x3).



Con piastra del proiettore



Senza piastra del proiettore

Installazione del cavo di sicurezza

Durante l'installazione in luoghi elevanti come soffitti, pareti o mensole, una volta fissato il braccio, installare il cavo di sicurezza fornito per evitare che il proiettore cada.

Per i dettagli sulla procedura di installazione, consultare il *Manuale dell'utente* fornito con il set del cavo di sicurezza.

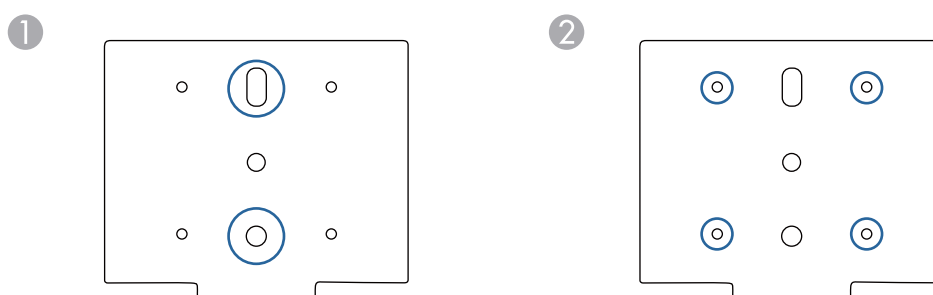
Fissaggio del proiettore al luogo di installazione

Determinazione del luogo di installazione

Controllare la posizione dove si desidera proiettare l'immagine e determinare la posizione di montaggio per il supporto a soffitto/piedistallo.

Accertarsi di tenere in considerazione la struttura (robustezza e altri fattori simili) del luogo di installazione su cui si installerà il supporto a soffitto/piedistallo.

■ Posizione e dimensioni dei fori di installazione



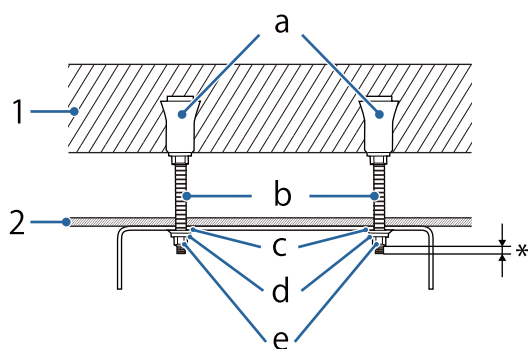
- 1 Foro di supporto del bullone di ancoraggio (M10)
- 2 Foro di supporto della vite in legno (diametro nominale 5,1)

■ Quando il punto di montaggio è in cemento

Utilizzare due bulloni di ancoraggio per fissare il supporto a una superficie in cemento. Accertarsi di acquistare due bulloni di ancoraggio disponibili in commercio.

Avvertenza

- Controllare in anticipo che il cemento dell'area di installazione possa sostenere la combinazione del peso di proiettore e prodotto così come spostamenti laterali che possono verificarsi per via di terremoti e così via. Se il cemento è fragile o si è deteriorato nel tempo, rinforzarlo con un'armatura.
- Gli ancoraggi devono essere installati in conformità a standard e modalità specificati dai produttori del materiale in modo da garantire che non si rompano, allentino o disallineino.
- Accertarsi di stringere saldamente tutte le viti durante l'installazione o dopo il completamento delle regolazioni degli angoli.
Una volta strette le viti, stringerle ancora per accertarsi che non siano allentate.
- Non ci assumiamo alcuna responsabilità per incidenti che possono verificarsi nel caso in cui cada il prodotto installato in una zona non sufficientemente robusta.



- 1: Cemento
- 2: Superficie del soffitto
- a: Ancoraggio a filettatura femmina
- b: Vite ad anello
- c: Rondella piatta
- d: Rondella di sicurezza
- e: Dado esagonale
- *: devono essere visibili almeno 3 colmi della vite.

Tuttavia, non allungare più di 9 mm in quanto entrerà in contatto con il supporto.

■ Quando il punto di montaggio è in legno

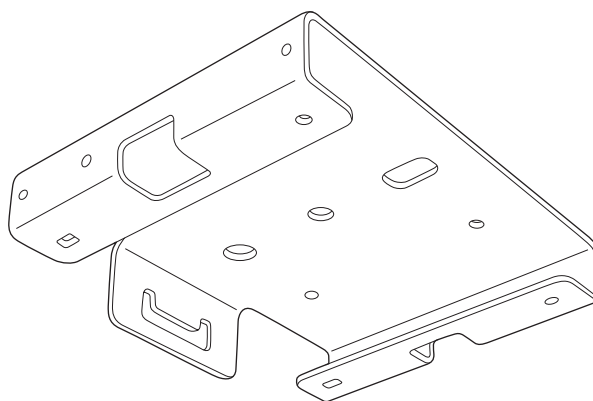
Avvertenza

Quando si esegue l'installazione con viti per legno, accertarsi che la base sia spessa almeno 20 mm.

Fissaggio della piastra per supporto a soffitto/piedistallo

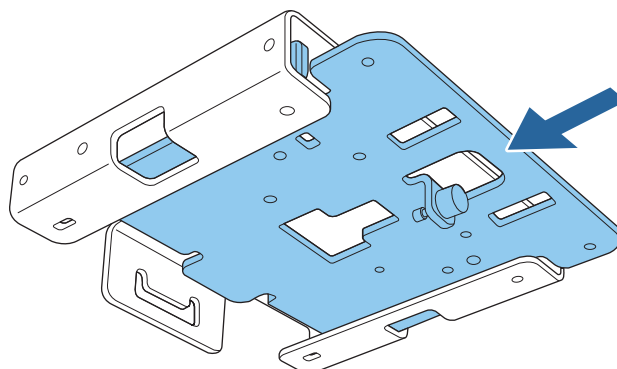
1 Perforare i fori di montaggio nel luogo di installazione.

2 Fissare la piastra A per supporto a soffitto/piedistallo al soffitto.
Accertarsi di acquistare oggetti disponibili in commercio adatti per l'installazione.



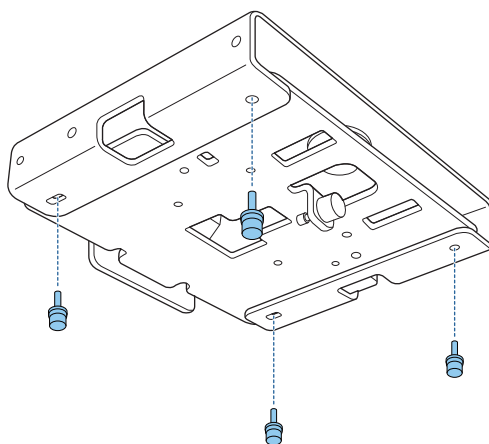
3

Inserire la piastra B per supporto a soffitto/piedistallo nella piastra A.



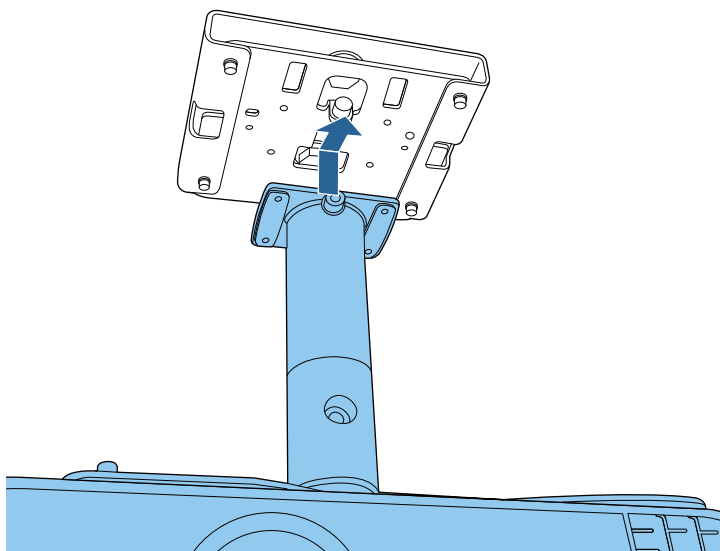
4

Stringere le viti M4 x 14 mm fornite (x4) con la chiave esagonale (a punta arrotondata M4) e fissare il supporto a soffitto/piedistallo alla piastra B.

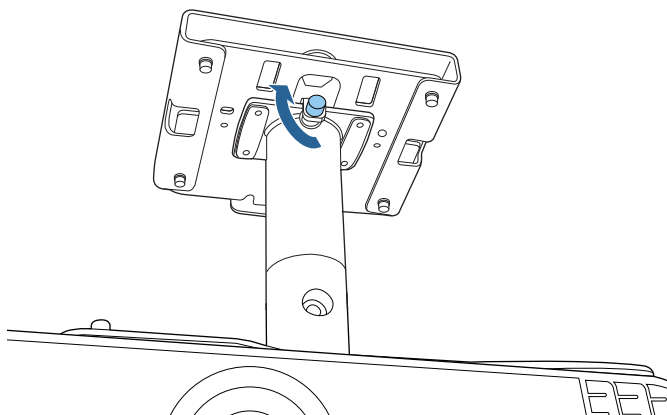


Fissaggio del braccio alla piastra per supporto a soffitto/piedistallo

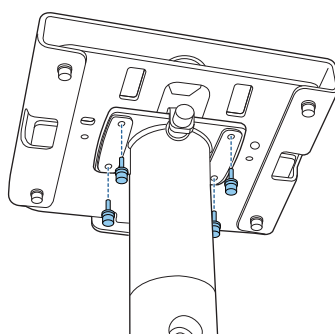
- 1 Inserire il braccio nello spazio fornito nella piastra B per supporto a soffitto/piedistallo.
Farlo scorrere davanti e allineare i fori delle viti nella piastra B per supporto a soffitto/piedistallo con i fori delle viti del braccio.



- 2 Stringere le viti della piastra B per supporto a soffitto/piedistallo per fissare temporaneamente il braccio.



- 3 Stringere le viti M4 x 14 mm fornite (x4) con una chiave esagonale (a punta arrotondata M4) per fissare il braccio.



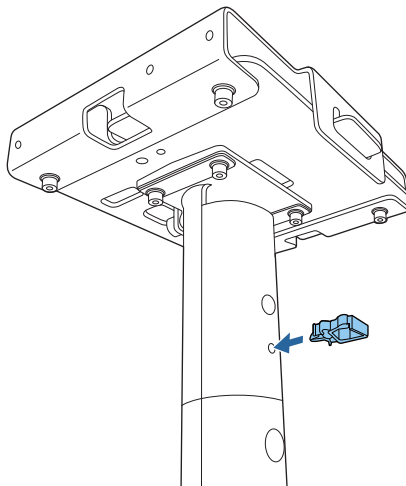
Collegamento dei cavi

Collegare i cavi necessari alle porte di connessione del proiettore.

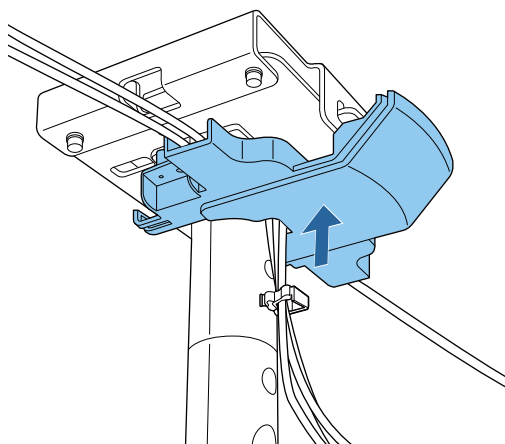
Controllare il *Manuale dell'utente* del proiettore per informazioni sulle porte di collegamento.


Fissaggio del coperchio del supporto

- 1** Fissare il morsetto per i cavi al braccio.
Inserire il morsetto per i cavi in modo che si adatti ai fori del braccio.



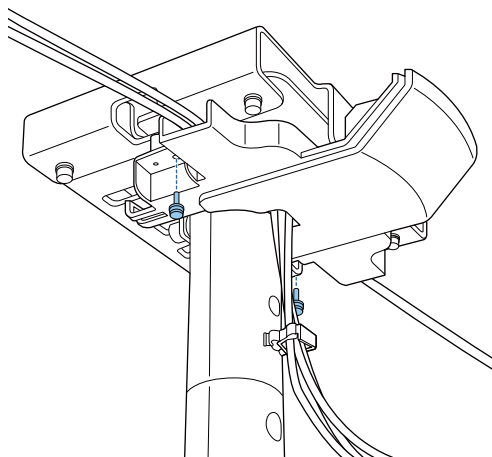
- 2** Fissare il coperchio del supporto A alla piastra per supporto a soffitto/piedistallo.



 Far passare i cavi attraverso i percorsi dei cavi o i morsetti per i cavi, se necessario. Se i cavi sono spessi o se ci sono molti cavi, collegarli direttamente senza farli passare attraverso il percorso dei cavi o i morsetti per i cavi.

3

Fissare il coperchio del supporto A tramite le viti M4 x 10 mm fornite (x2).



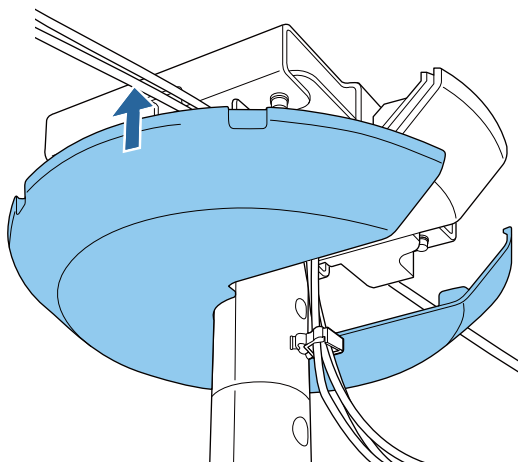
 **Attenzione**

Assicurarsi che i cavi non restino incastrati nel coperchio del supporto. Se si stringono le viti mentre i cavi sono intrappolati tra il coperchio e il supporto, i cavi potrebbero scollegarsi.

4

Fissaggio del coperchio di supporto B.

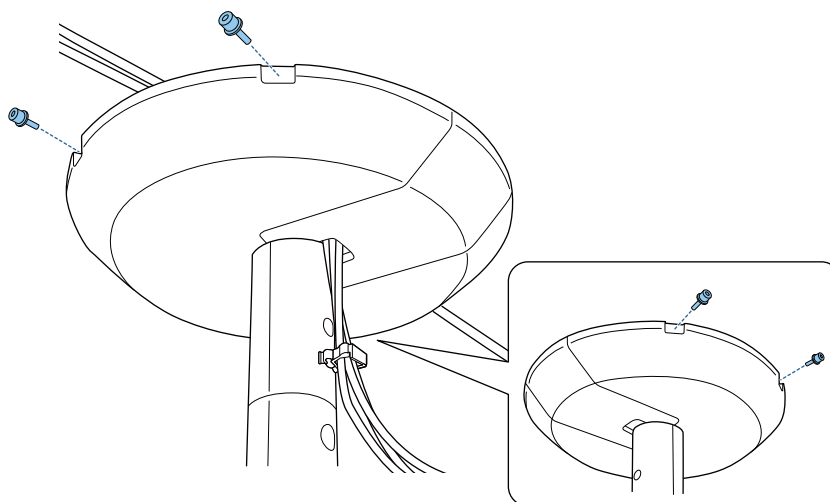
Agganciarlo sul coperchio del supporto A e fissarlo temporaneamente.



5

Fissare il coperchio del supporto B tramite le viti M4 x 10 mm fornite (x4).

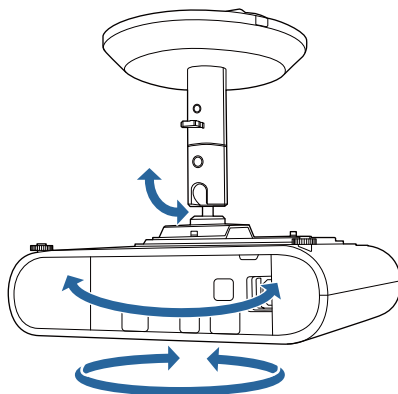
Allineare i fori delle viti mentre si sostiene il coperchio del supporto B da sotto.



Regolazione dell'orientamento del proiettore

È possibile utilizzare il giunto a sfera sulla sezione del supporto del proiettore o regolare l'orientamento e l'angolo del proiettore.

La gamma di angoli disponibili varia a seconda del modello in uso. Per ulteriori dettagli, fare riferimento al *Manuale dell'utente* fornito con il proiettore.



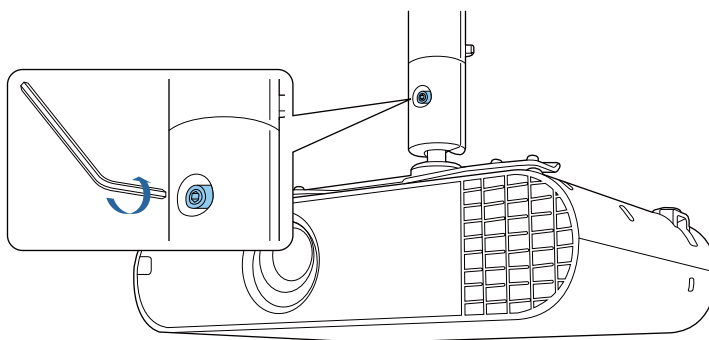
1 Premere il pulsante di accensione sul proiettore o sul telecomando.

Il proiettore si accende.

 **Attenzione**

Prima di accendere il proiettore, assicurarsi che il supporto sia saldamente fissato.

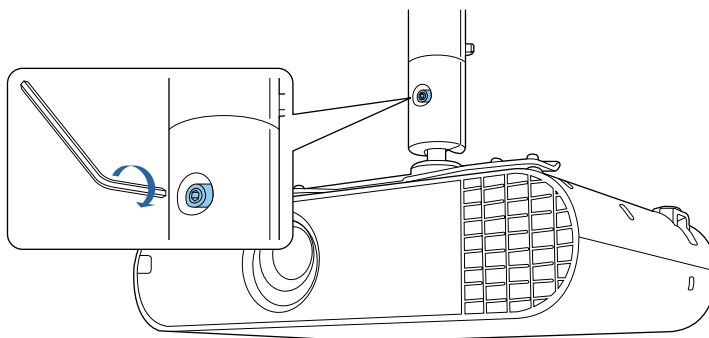
2 Allentare la vite del braccio con la chiave esagonale (M6).



3 Regolare l'orientamento del proiettore.

Assicurarsi di supportare il proiettore da sotto mentre si regola l'orientamento.

- 4** Una volta terminate le regolazioni, fissare saldamente la vite della sezione del giunto a sfera con la chiave esagonale (M6).



- Dopo aver effettuato le regolazioni, assicurarsi di serrare completamente le viti del giunto a sfera. Se non sono strette completamente, l'angolazione del proiettore varierà spostando la posizione dell'immagine.
- Una volta regolato l'orientamento del proiettore, regolare la dimensione e la messa a fuoco dell'immagine proiettata. Per ulteriori dettagli, fare riferimento al *Manuale dell'utente* fornito con il proiettore.

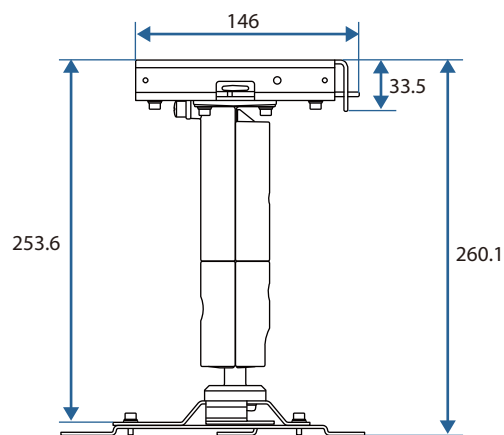
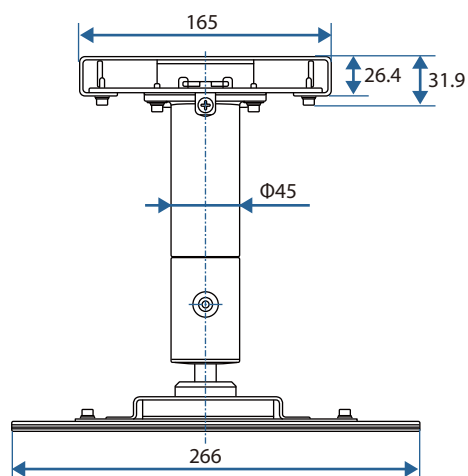
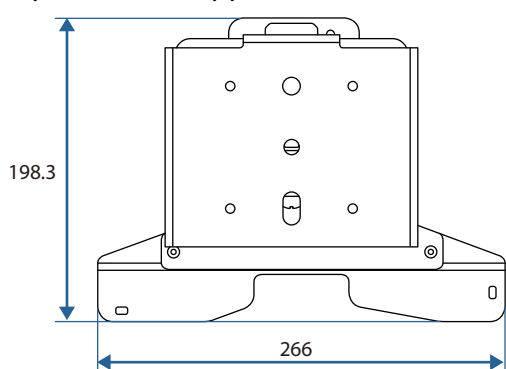
Specifiche tecniche

Elemento	Specifiche tecniche
Peso (piastra del proiettore, braccio, piastra a soffitto/piedistallo A/B, coperchio del supporto)	2,7 kg circa
Capacità massima di carico	Circa 10,0 kg

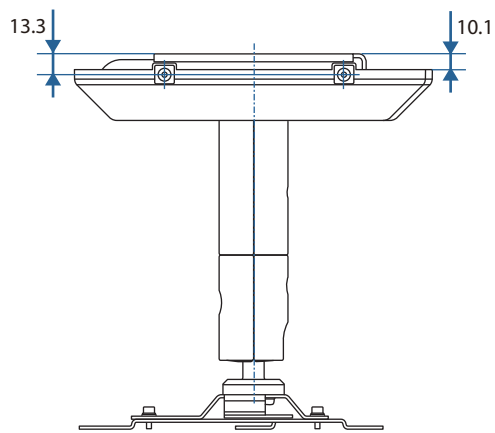
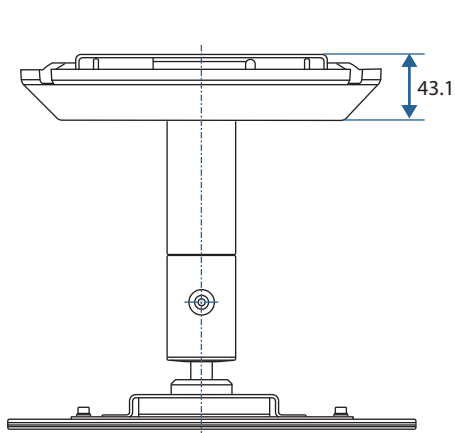
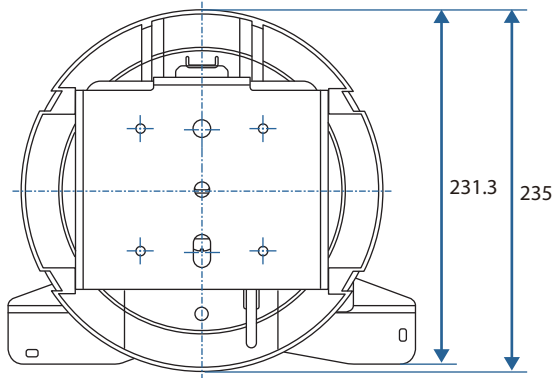
Aspetto

[Unità: mm]

Senza il coperchio del supporto



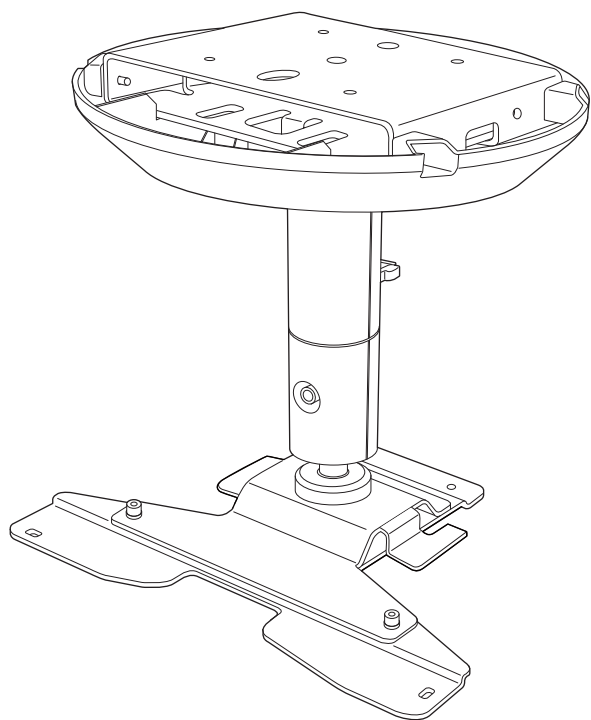
Con il coperchio del supporto fissato



©SEIKO EPSON CORPORATION 2019. All rights reserved.

ELPMB60

Guía de instalación



Instrucciones de seguridad

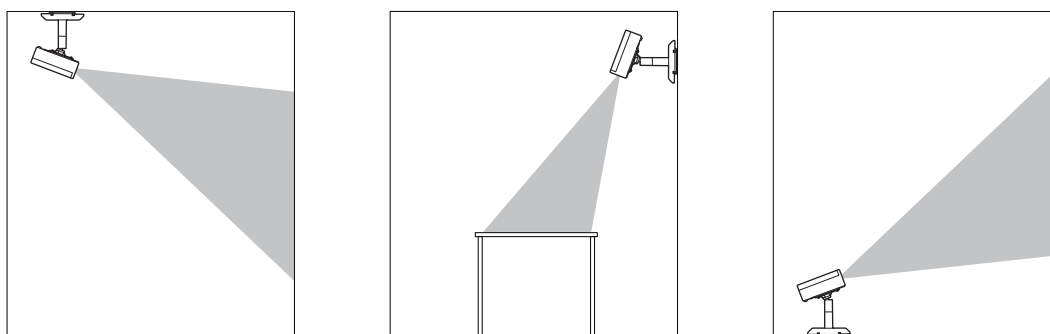
En esta guía se explica cómo instalar el proyector en el techo, en una pared o en el suelo mediante el Soporte para fijación en techo/pedestal para el suelo ELPMB60 suministrado.

Asegúrese de leer esta guía atentamente para utilizar los soportes de instalación y el proyector de forma segura. Un manejo incorrecto sin seguir las instrucciones de esta guía podría dañar este producto o causar daños personales o materiales. Guarde a mano esta guía de instalación para futuras consultas.

Para obtener información sobre cómo controlar el proyector, lea el *Manual de usuario* y las *Instrucciones de seguridad* que se suministran con el proyector y siga las instrucciones de estos documentos.

Tipo de instalación



Este producto se puede instalar en el techo, en una pared o en el suelo.






Indicaciones de seguridad

La documentación y este producto utilizan símbolos gráficos para mostrar cómo utilizar este de forma segura y correcta para evitar lesiones a los clientes y a otras personas, así como daños materiales.













A continuación se muestran las indicaciones y su significado. Asegúrese de comprenderlas correctamente antes de leer el manual.







Explicación de	los símbolos
 Advertencia	Este símbolo hace referencia a información que, si se ignora, podría causar daños personales e incluso la muerte debido a un manejo incorrecto.
 Precaución	Este símbolo hace referencia a información que, si se ignora, podría causar daños personales y materiales debido a un manejo incorrecto.

Indicaciones sobre la información general









Explicación de	los símbolos
	Este símbolo indica una acción que no se debe realizar
	Este símbolo indica una acción que sí se debe realizar
	Este símbolo indica información relacionada o útil








Precauciones a la hora de instalar el proyector

 Advertencia	
<p>La instalación del proyector solamente debe ser realizada por un profesional con las habilidades y conocimientos necesarios.</p> <p>Si el trabajo de instalación no se lleva a cabo correctamente, el soporte o el proyector podrían caerse o volcarse y causar lesiones o accidentes.</p>	
<p>Siga las instrucciones de esta guía cuando realice el trabajo de instalación.</p> <p>Si no se siguen las instrucciones, el soporte o el proyector podrían caerse o volcarse y causar lesiones o accidentes.</p>	
<p>Verifique que la estructura y el material de la ubicación de instalación sean lo suficientemente fuertes antes de la instalación, y use el método de instalación óptimo.</p> <p>Si el trabajo no se lleva a cabo correctamente, el soporte o el proyector podrían caerse o volcarse y causar lesiones o accidentes.</p>	
<p>La instalación en el techo o la pared debe ser realizada por al menos dos personas. Asimismo, asegúrese de mantener una posición de equilibrio segura y estable de forma que no deje caer el soporte o el proyector.</p>	
<p>Cuando realice la instalación en un lugar alto, como un techo, una pared o en un estante, asegúrese de acoplar el cable de seguridad suministrado al soporte y al proyector para evitar que este se caiga.</p>	
<p>No acople nada a este soporte, excepto los proyectores EPSON que sea compatibles con este producto.</p> <p>Si acopla un proyector que no sea compatible con este producto, el soporte podría caerse, volcarse o dañarse y causar la muerte o lesiones graves.</p> <p>Consulte el catálogo de proyectores que sean compatibles con este producto.</p>	
<p>Cuando realice la instalación, asegúrese de instalar un disyuntor de circuito (con una corriente nominal de 10 A como máximo) en una ubicación asequible.</p> <p>Si se produce algún problema durante la instalación, desconecte el cableado interno inmediatamente.</p>	
<p>Tenga en cuenta lo siguiente cuando manipule el cable de alimentación. De lo contrario, se puede producir un incendio o descargas eléctricas.</p> <ul style="list-style-type: none"> • No manipule el enchufe con las manos mojadas • No utilice un cable de alimentación dañado o modificado • No aplique fuerza excesiva al cable de alimentación • No atrape el cable entre partes del soporte y otros objetos durante la instalación 	
<p>No enrolle los cables alrededor del proyector o del soporte.</p>	
<p>Cuando conecte los cables, llévelos por donde eviten los tornillos y pernos.</p> <p>Si los cables entran en contacto con los tornillos o pernos, se podría provocar un incendio o descargas eléctricas.</p>	
<p>Asegúrese de apretar los tornillos o los pernos completamente cuando realice la instalación.</p> <p>Si no están completamente apretados, el soporte o el proyector podrían caerse o volcarse y causar lesiones o accidentes.</p>	






 Advertencia	
No afloje ni retire los tornillos por ningún motivo mientras instala o retira este producto.	
<p>Cuando fije el soporte, no utilice adhesivos para evitar que los tornillos se aflojen, ni tampoco lubricantes, aceites, etc.</p> <p>Si utiliza adhesivos para evitar que los tornillos se aflojen o emplea productos como lubricantes o aceites, el soporte o la carcasa del proyector puede agrietarse y caerse o volcarse, lo que puede provocar lesiones o un accidente.</p>	
<p>No se cuelgue del soporte o el proyector y no coloque objetos pesados en ellos.</p> <p>De lo contrario, el soporte o el proyector puede caerse o volcarse, lo que puede provocar lesiones o, incluso, la muerte.</p>	
<p>No aplique una fuerza excesiva al proyector o al soporte cuando realice la instalación.</p> <p>De lo contrario, el soporte o el proyector puede dañarse, lo que puede provocar lesiones o, incluso, la muerte.</p>	
<p>No realice la instalación en las siguientes situaciones. Póngase en contacto con su proveedor local o con el centro de atención al cliente de Epson.</p> <ul style="list-style-type: none"> • Si el producto se ha caído o dañado antes de la instalación o durante esta • Si el soporte presenta un estado anómalo o está dañado 	

Advertencias y precauciones en las ubicaciones de instalación

 Advertencia	
Compruebe la estructura y el material de la superficie en la que se va a instalar el soporte y utilice el método de instalación óptimo.	
Asegúrese de que la superficie en la que se va a instalar el soporte es lo suficientemente fuerte.	
<p>No instale el soporte o el proyector en una ubicación inestable donde puedan darse vibraciones o impactos.</p> <p>La superficie en la que el soporte está acoplado puede estar dañada. Asimismo, el soporte o el proyector puede caerse o volcarse y provocar una lesión o un accidente.</p>	
<p>No realice la instalación en una ubicación que no sea lo suficientemente fuerte como para soportar la carga o que esté inclinada.</p> <p>La ubicación de instalación debe ser lo suficientemente fuerte como para soportar el proyector y este producto. Verifique el peso del proyector y de este producto antes de la instalación, realice cálculos del peso permitido, etc. y luego instálelos de manera segura.</p>	
<p>No instale o utilice el proyector en ubicaciones donde pueda quedar expuesto a la lluvia o el agua, como en exteriores, en baños o duchas.</p> <p>De lo contrario, se puede producir un incendio o descargas eléctricas.</p>	
<p>No utilice el proyector en una ubicación en la que haya combustible o gas explosivo.</p> <p>Si el interior del proyector alcanza una temperatura muy elevada, podría prenderse y causar un incendio.</p>	
<p>No tape el conducto de entrada de aire del proyector ni las salidas de evacuación de aire.</p> <p>Si cualquiera de los conductos de ventilación se tapa, la temperatura interna del proyector podría aumentar y provocar un incendio.</p>	

 Precaución	
<p>No instale el proyector en una ubicación fuera del intervalo de temperatura de funcionamiento del proyector.</p> <p>El proyector podría dañarse en tal situación.</p>	
<p>Instálelo lejos de salidas de aire tales, como pueden ser aires acondicionados.</p> <p>Si el aire procedente de un aparato de aire acondicionado, por ejemplo, fluye directamente sobre el proyector, la temperatura aumenta y es posible que el proyector no funcione correctamente.</p>	
<p>Instálelo alejado de luces fluorescentes.</p> <p>Algunos fluorescentes pueden interferir con el mando a distancia del proyector.</p>	
<p>Instálelo en una ubicación donde la luz intensa, como la luz fluorescente y la luz solar directa, no incida en el receptor remoto.</p> <p>Si en el receptor de remoto inciden rayos de luz intensos, las operaciones del mando a distancia puede que no se realicen correctamente.</p>	
<p>Asegúrese de instalar el proyector en una ubicación donde no haya polvo y humedad excesivos para evitar que la lente y los componentes ópticos se ensucien.</p>	
<p>No instale el proyector en un lugar sujeto a altos niveles de polvo o humedad, o en un lugar sujeto a humo o vapor.</p> <p>De lo contrario, se puede producir un incendio o descargas eléctricas. La carcasa del proyector también podría deteriorarse y dañarse provocando la caída de dicho proyector del soporte.</p> <p>Ejemplos de entornos que podrían causar que el proyector se caiga debido al deterioro de la carcasa:</p> <ul style="list-style-type: none"> • Ubicaciones sujetas a humo excesivo o partículas de aceite en suspensión, como fábricas o cocinas • Ubicaciones que contienen disolventes volátiles o productos químicos, como fábricas o laboratorios • Lugares donde el proyector podría estar sujeto a detergentes o productos químicos, como fábricas o cocinas • Lugares donde suelen utilizarse aceites aromáticos, como las salas de relajación • Cerca de dispositivos que producen humo excesivo, partículas de aceite en suspensión o espuma en los eventos 	

Precauciones a la hora de manipular el producto después de la instalación

 Advertencia	
<p>Nunca afloje los tornillos o los pernos después de la instalación.</p> <p>Asegúrese de comprobar con cierta frecuencia si hay tornillos o pernos sueltos y, si los hay, apriételes completamente. Si no están completamente apretados, el soporte o el proyector podrían caerse o volcarse y causar lesiones o accidentes.</p>	
<p>No aplique una fuerza excesiva al soporte ni se cuelgue del mismo.</p>	
<p>Nunca desarme o remodele este producto, excepto como se indica en esta guía.</p>	
<p>No utilice un paño húmedo o disolventes como alcohol, bencina o disolvente para limpiar el producto.</p> <p>Podría entrar agua en el proyector o la carcasa podría deteriorarse y agrietarse, lo que podría provocar una descarga eléctrica.</p>	

Utilizar el producto de forma segura

Instrucciones de seguridad	1
Tipo de instalación	1
Indicaciones de seguridad	1
Indicaciones sobre la información general	1
Precauciones a la hora de instalar el proyector . . .	2
Advertencias y precauciones en las ubicaciones de instalación	3
Precauciones a la hora de manipular el producto después de la instalación	4

Preparar el proyector

Contenidos del paquete	6
-------------------------------------	----------

Procedimiento de instalación

Acoplar el soporte al proyector	8
--	----------

Colocar la placa del proyector	8
Acoplar la unidad del brazo	9

Instalar el cable de seguridad	11
---	-----------

Acoplar el proyector a la ubicación de instalación	12
---	-----------

Determinar la posición de instalación	12
Posiciones y dimensiones de los orificios de instalación	12
Cuando la ubicación de montaje es hormigón	12
Cuando la ubicación de montaje sea de madera	13

Acoplar la placa del soporte para fijación en techo/pedestal para el suelo	13
--	----

Acoplar la unidad del brazo al soporte para fijación en techo/pedestal para el suelo	15
--	----

Conectar los cables	16
----------------------------------	-----------

Acoplar la tapa del soporte	17
--	-----------

Ajustar la orientación del proyector	20
---	-----------

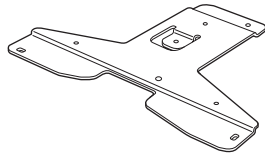
Apéndice

Especificación	22
-----------------------------	-----------

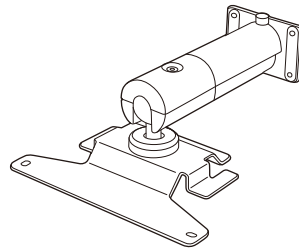
Apariencia	22
------------------	----

Contenidos del paquete

Compruebe que tiene todos los accesorios antes de iniciar el trabajo.



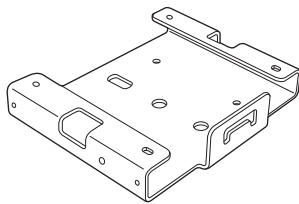
Placa del proyector



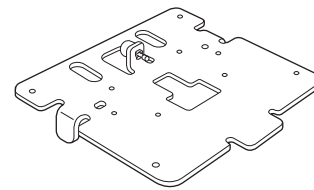
Unidad del brazo



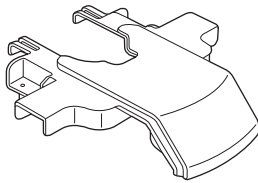
Abrazadera para cables



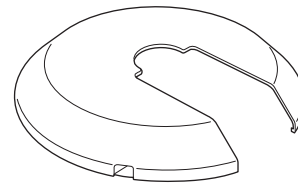
Paca A del soporte para fijación en techo/pedestal para el suelo



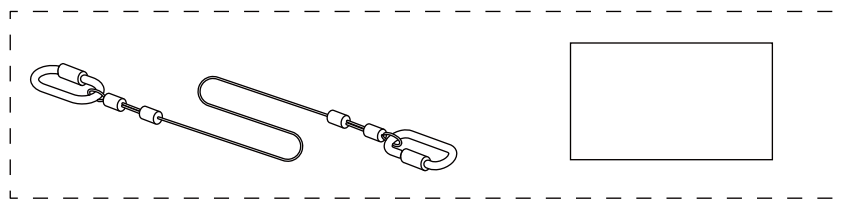
Paca B del soporte para fijación en techo/pedestal para el suelo



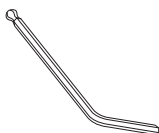
Cubierta de soporte A



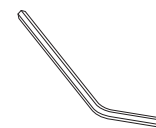
Cubierta de soporte B



Conjunto de cable de seguridad (cable de seguridad (500 mm) y *Manual de usuario*)




Llave Allen (punto de bola M4)



Llave Allen (M6)

Forma	Nombre	Cantidad	Uso
	Tornillo de cabeza embutida hexagonal M4 x 14 mm (con arandela): negro	4	Permite fijar la placa B del soporte para fijación en techo/pedestal para el suelo.
		4	Permite fijar la unidad del brazo al soporte para fijación en techo/pedestal para el suelo.

Preparar el proyector

Forma	Nombre	Cantidad	Uso
	Tornillo de cabeza embutida hexagonal M4 x 10 mm (con arandela): plata	4	Permite fijar la placa del proyector a este.
		3	Permite fijar la unidad del brazo a la placa del proyector.
		6	Permite fijar la tapa del soporte.

Acoplar el soporte al proyector

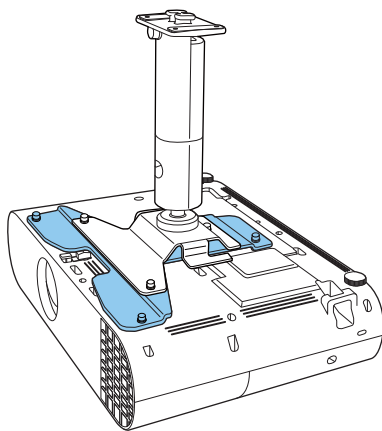
Fije la placa del proyector y la unidad del brazo a la base del proyector.

Precaución

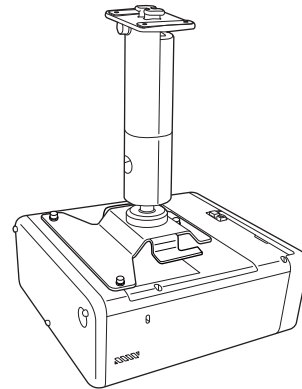
Asegúrese de utilizar los tornillos suministrados cuando coloque el soporte en el proyector.

Colocar la placa del proyector

Es posible que no necesite colocar la placa del proyector según el modelo que esté utilizando. Vaya al procedimiento de instalación de la unidad del brazo.



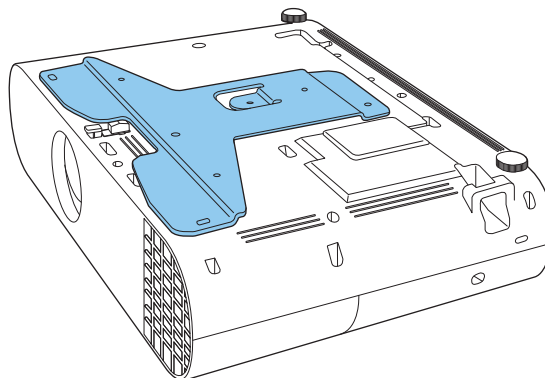
Placa de proyector necesaria



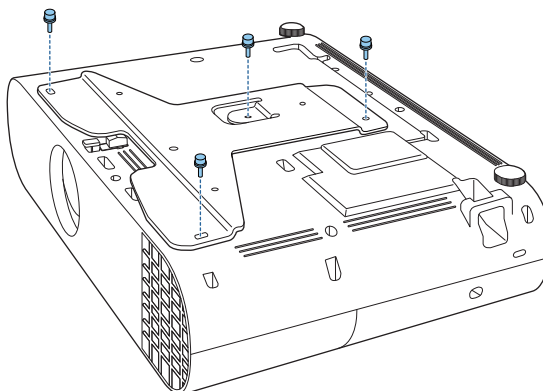
Placa de proyector innecesaria

1 Coloque la placa del proyector en la base de este.

Alinee los orificios de los tornillos de los puntos de anclaje del soporte del proyector con los orificios de los tornillos de la placa del proyector.

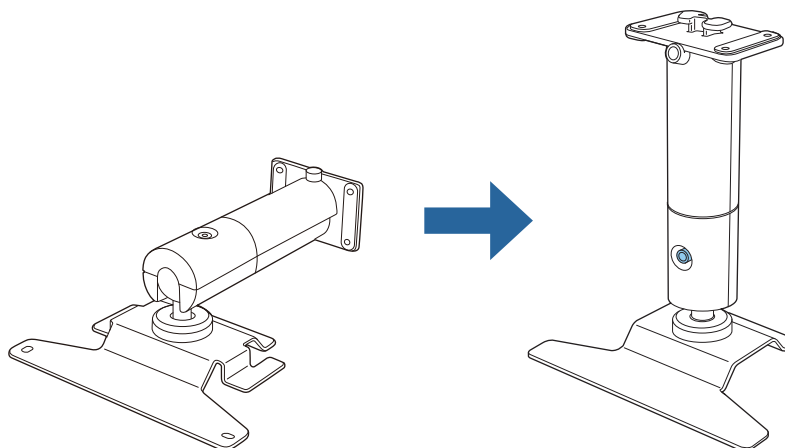


- 2 Fije la placa del proyector mediante los tornillos M4 x 10 mm suministrados (x4).



Acoplar la unidad del brazo

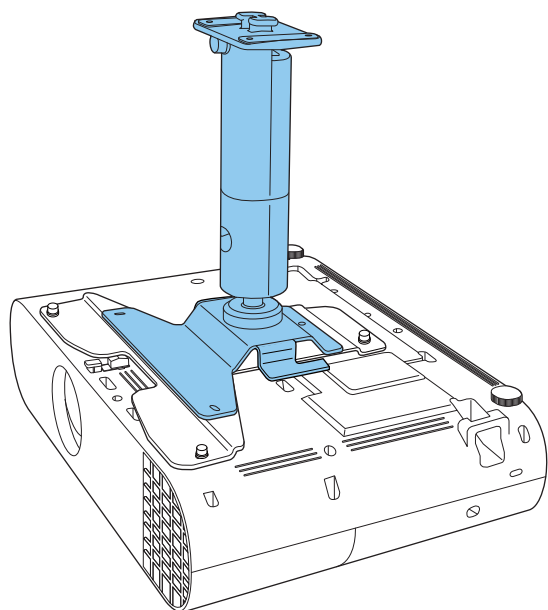
- 1 Enderece la unidad del brazo y apriete los tornillos.



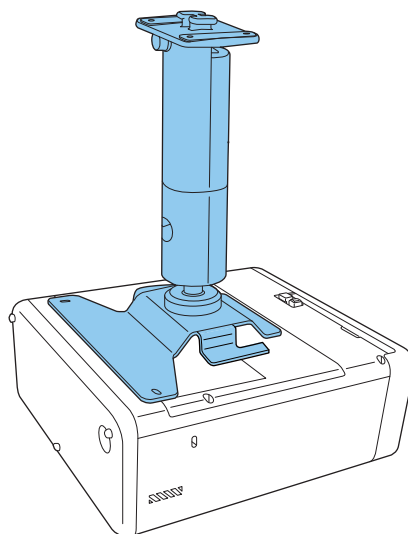
2

Coloque la unidad del brazo en el proyector.

Alinee los orificios de los tornillos en la placa del proyector o los orificios de los tornillos en el proyector con los orificios de los tornillos en la unidad del brazo.



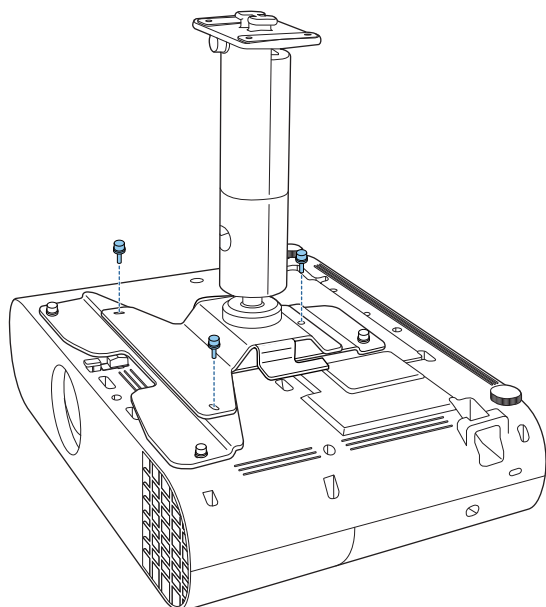
Con placa del proyector



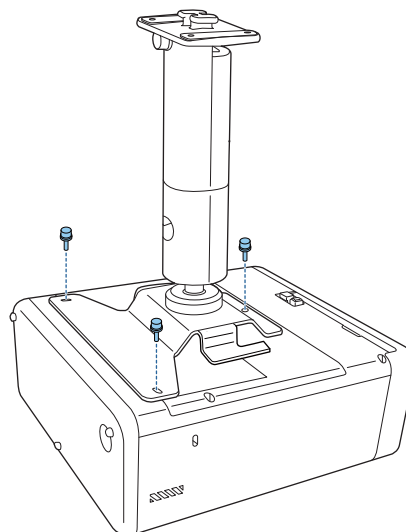
Sin placa del proyector

3

Fije la unidad del brazo al proyector mediante los tornillos M4 x 10 mm suministrados (x3).



Con placa del proyector



Sin placa del proyector

Instalar el cable de seguridad

Al instalar el proyector en un lugar alto, como un techo, una pared o en un estante, después de colocar la unidad de brazo, instale el cable de seguridad suministrado para evitar que el proyector se caiga.

Para obtener más información sobre el procedimiento de instalación, consulte el *Manual de usuario* suministrado con el conjunto del cable de seguridad.

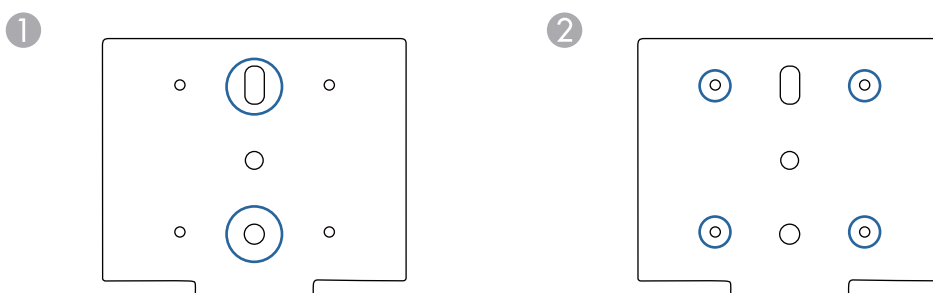
Acoplar el proyector a la ubicación de instalación

Determinar la posición de instalación

Compruebe la posición donde desea proyectar la imagen y determine la posición de instalación del Soporte para fijación en techo/pedestal para el suelo.

Asegúrese de tener en cuenta la estructura (fortaleza, etc.) de la ubicación de instalación donde desea instalar el Soporte para fijación en techo/pedestal para el suelo.

■ Posiciones y dimensiones de los orificios de instalación



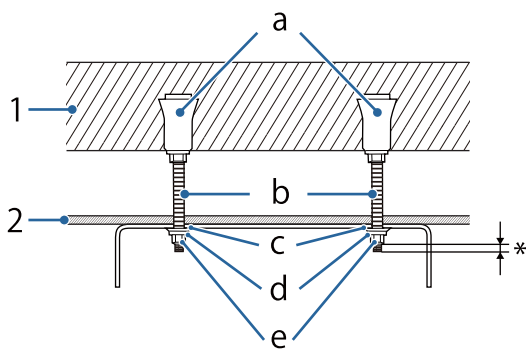
- 1 Orificio de instalación del tornillo de anclaje (M10)
- 2 Orificio de instalación del tornillo para madera (diámetro nominal de 5,1)

■ Cuando la ubicación de montaje es hormigón

Use dos pernos de anclaje para fijar el soporte a una superficie de hormigón. Asegúrate de adquirir los pernos de anclaje en tiendas especializadas.

Advertencia

- Compruebe con antelación si el hormigón para el área de instalación puede soportar la masa combinada de este producto y el proyector, así como cualquier movimiento de lado a lado que pueda ocurrir debido a terremotos, etc. Si el hormigón es frágil o se ha deteriorado con el paso del tiempo, asegúrese de reforzarlo con barras, etc.
- Los anclajes deben instalarse de acuerdo con las normas y los métodos especificados por los fabricantes del material para garantizar que no se rompen, aflojan o se desalinean.
- Asegúrese de apretar todos los tornillos durante la instalación o después de completar los ajustes de ángulo. Después de apretar los tornillos, apriételos más para asegurarse de que no haya tornillos sueltos.
- Tenga en cuenta que no podemos asumir la responsabilidad por ningún accidente que ocurra si este producto se cae debido a una fuerza insuficiente, etc. en el área de instalación.



- 1: Hormigón
- 2: Superficie del techo
- a: Taco roscado hembra
- b: Cáncamo
- c: Arandela plana
- d: Arandela elástica
- e: Tuerca hexagonal
- *: Al menos 3 roscas del tornillo deben quedar visibles.

Sin embargo, no se extienda más de 9 mm ya que esto tocará el soporte.

■ Cuando la ubicación de montaje sea de madera

Advertencia

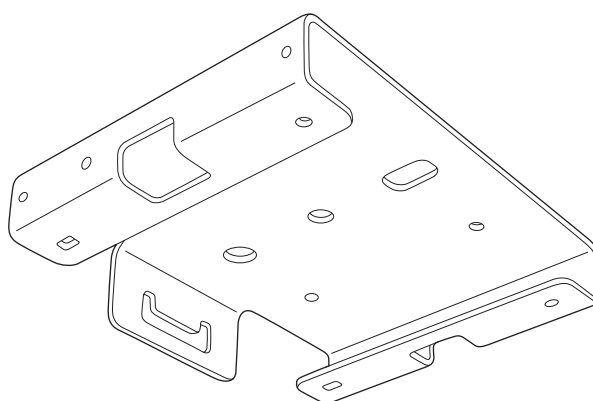
Al realice la instalación con tornillos para madera, asegúrese de que la base tenga un grosor de al menos 20 mm.

Acoplar la placa del soporte para fijación en techo/pedestal para el suelo

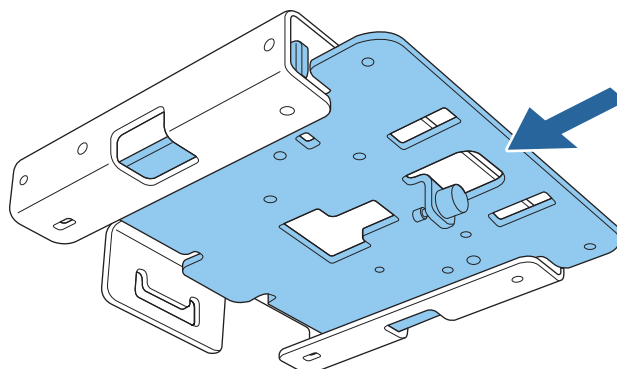
1 Taladrar los orificios de montaje en el lugar de la instalación.

2 Acople la placa A del soporte para fijación en techo/pedestal para el suelo al techo.

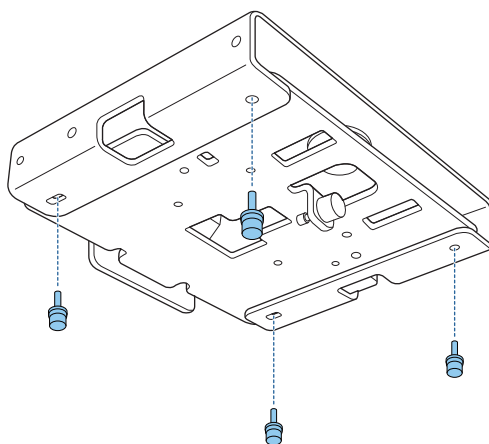
Asegúrese de adquirir los elementos necesarios que se van a utilizar para la instalación. Podrá hacerlo en cualquier tienda especializada.



3 Inserte la placa B del soporte para fijación en techo/pedestal para el suelo en la placa A.



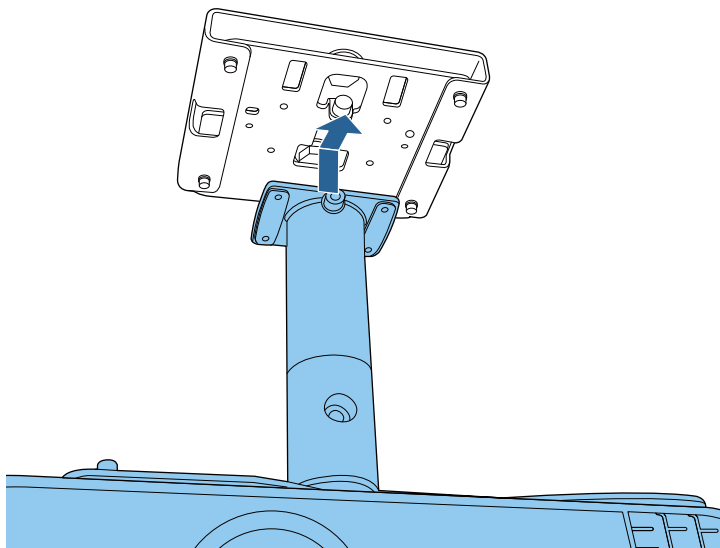
4 Apriete los tornillos M4 x 14 mm suministrados (x4) con la llave Allen (punta de bola M4) y fije la placa B del soporte para fijación en techo/pedestal para el suelo.



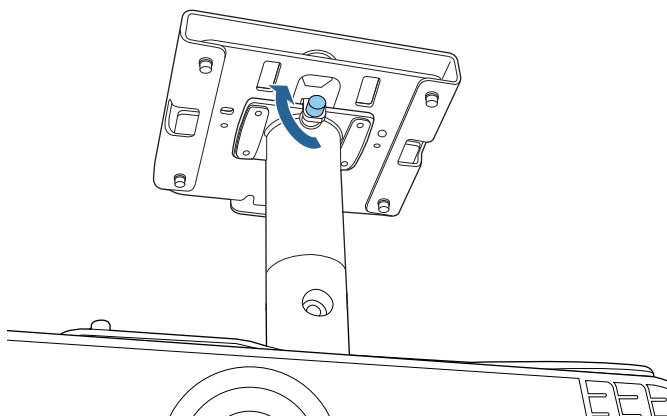
Acoplar la unidad del brazo al soporte para fijación en techo/pedestal para el suelo

- 1 Inserte la unidad del brazo en el espacio provisto en la placa del soporte para fijación en techo/pedestal para el suelo.

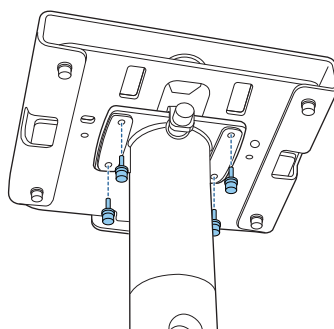
Deslícela hacia delante y alinee los orificios de los tornillos de la placa B del soporte para fijación en techo/pedestal para el suelo con los orificios de los tornillos de la unidad del brazo.



- 2 Apriete los tornillos de la placa B del soporte para fijación en techo/pedestal para el suelo para asegurar temporalmente la unidad del brazo.



- 3 Apriete los tornillos M4 x 14 mm suministrados (x4) con una llave Allen (punta de bola M4) para asegurar la unidad del brazo.



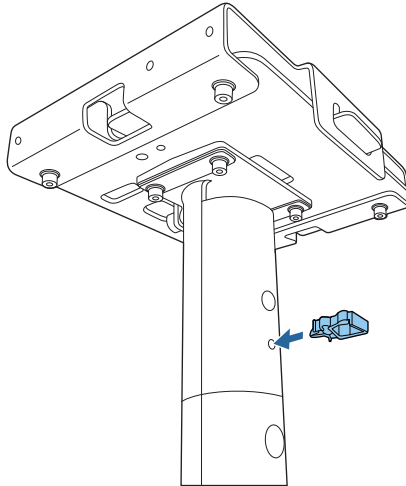
Conectar los cables

Conecte los cables necesarios a los puertos de conexión del proyector.

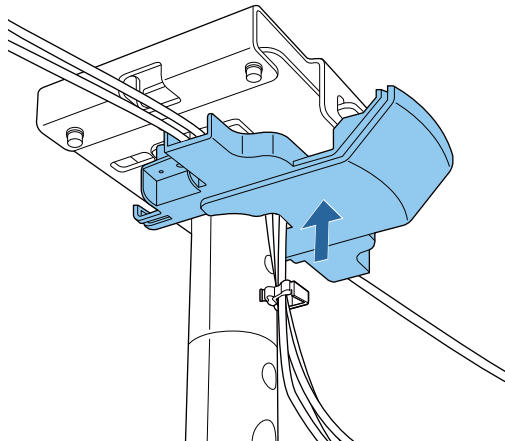
Consulte el *Manual de usuario* del proyector para obtener información sobre los puertos de conexión.

Acoplar la tapa del soporte

- 1 Acople la abrazadera para cables a la unidad del brazo.
Inserte la abrazadera para cables para que pase por los orificios de la unidad del brazo.



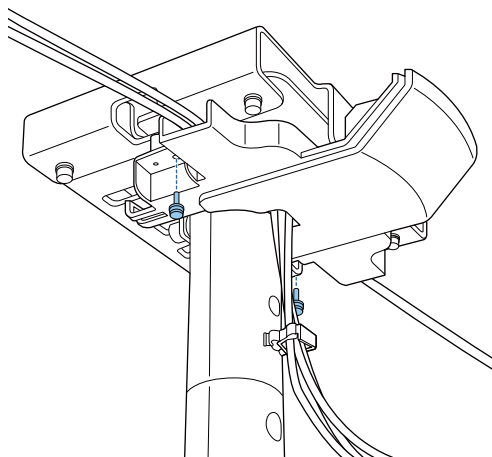
- 2 Acople la cubierta del soporte A al soporte para fijación en techo/pedestal para el suelo.



Pase los cables por las trayectorias de cableado o las abrazaderas para cables si es necesario. Si los cables son gruesos o si hay muchos cables, conéctelos directamente sin pasarlos por la trayectoria de cableado o las abrazaderas para cables.

3

Fije la tapa del soporte A mediante los tornillos M4 x 10 mm suministrados (x2).



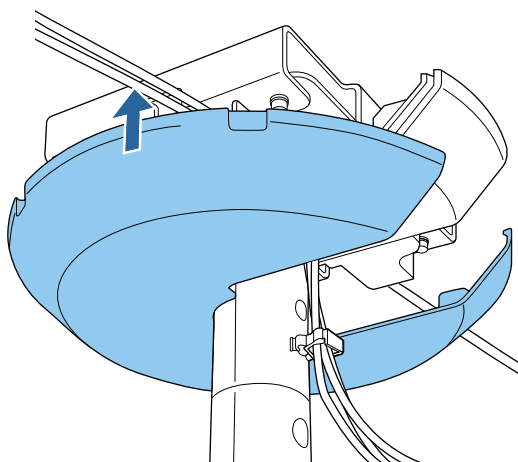
 Precaución

Asegúrese de que los cables no queden atrapados por la cubierta del soporte. Si aprieta los tornillos mientras los cables están atrapados entre la cubierta y el soporte, los cables pueden estar desconectados.

4

Coloque la cubierta de montaje B.

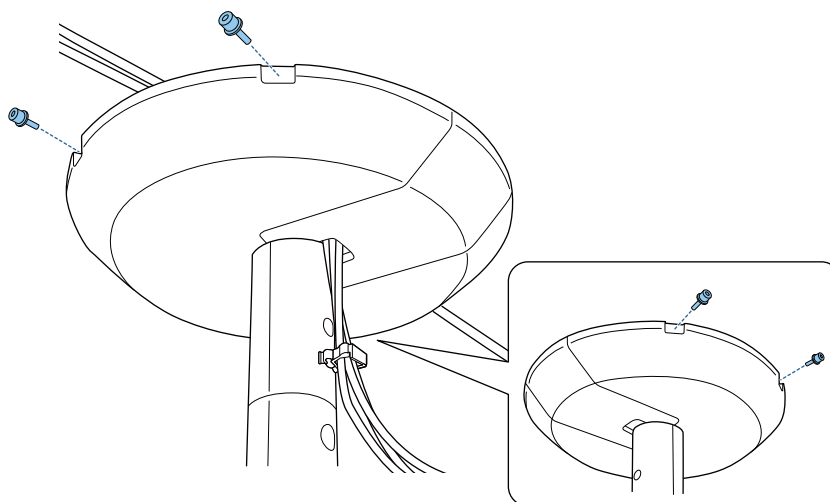
Engánchela sobre la cubierta de montaje A y asegúrela temporalmente.



5

Fije la cubierta del soporte B mediante los tornillos M4 x 10 mm suministrados (x4).

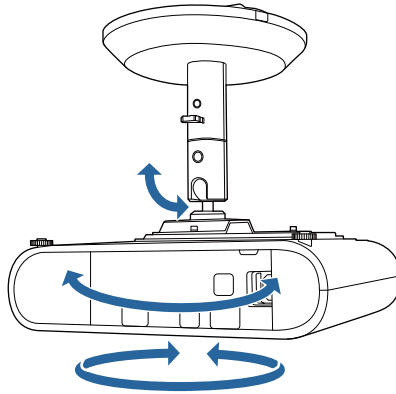
Alinee los orificios de los tornillos mientras sostiene la cubierta del soporte B desde abajo.



Ajustar la orientación del proyector

Puede usar la articulación esférica de la sección de soporte del proyector para ajustar la orientación y el ángulo del dicho proyector.

El intervalo de ángulos disponibles varía según el modelo que esté usando. Para obtener más detalles, consulte el *Manual de usuario* suministrado con el proyector.

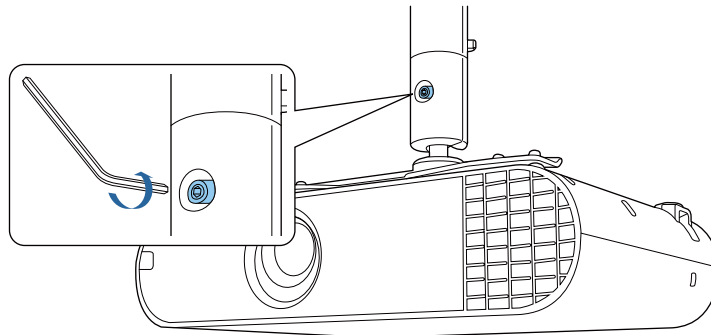


- 1 Presione el botón de alimentación del proyector o del mando a distancia.
El proyector se enciende.

 **Precaución**

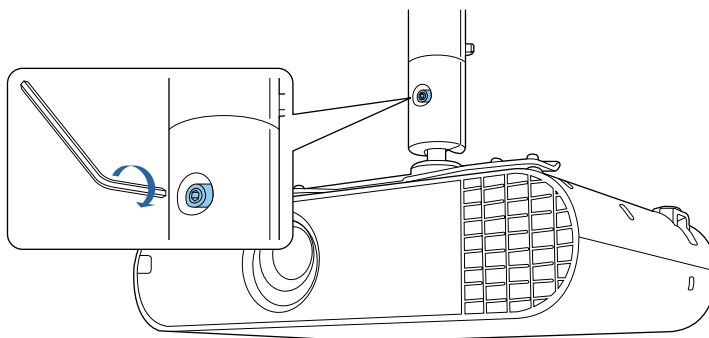
Antes de encender el proyector, asegúrese de que el soporte esté firmemente sujeto.

- 2 Afloje el tornillo de la articulación esférica de la unidad con una llave Allen (M6).



- 3 Ajuste la orientación del proyector.
Asegúrese de sostener el proyector desde abajo mientras ajusta la orientación.

- 4** Cuando haya terminado de realizar los ajustes, apriete de forma segura el tornillo de la sección de la articulación esférica con una llave Allen (M6).



- Después de realizar los ajustes, asegúrese de apretar completamente los tornillos de la articulación esférica. Si no se aprietan completamente, el ángulo del proyector cambiará, lo que modificará la posición de la imagen.
- Después de ajustar la orientación del proyector, ajuste el tamaño y el enfoque de la imagen proyectada. Para obtener más detalles, consulte el *Manual de usuario* suministrado con el proyector.

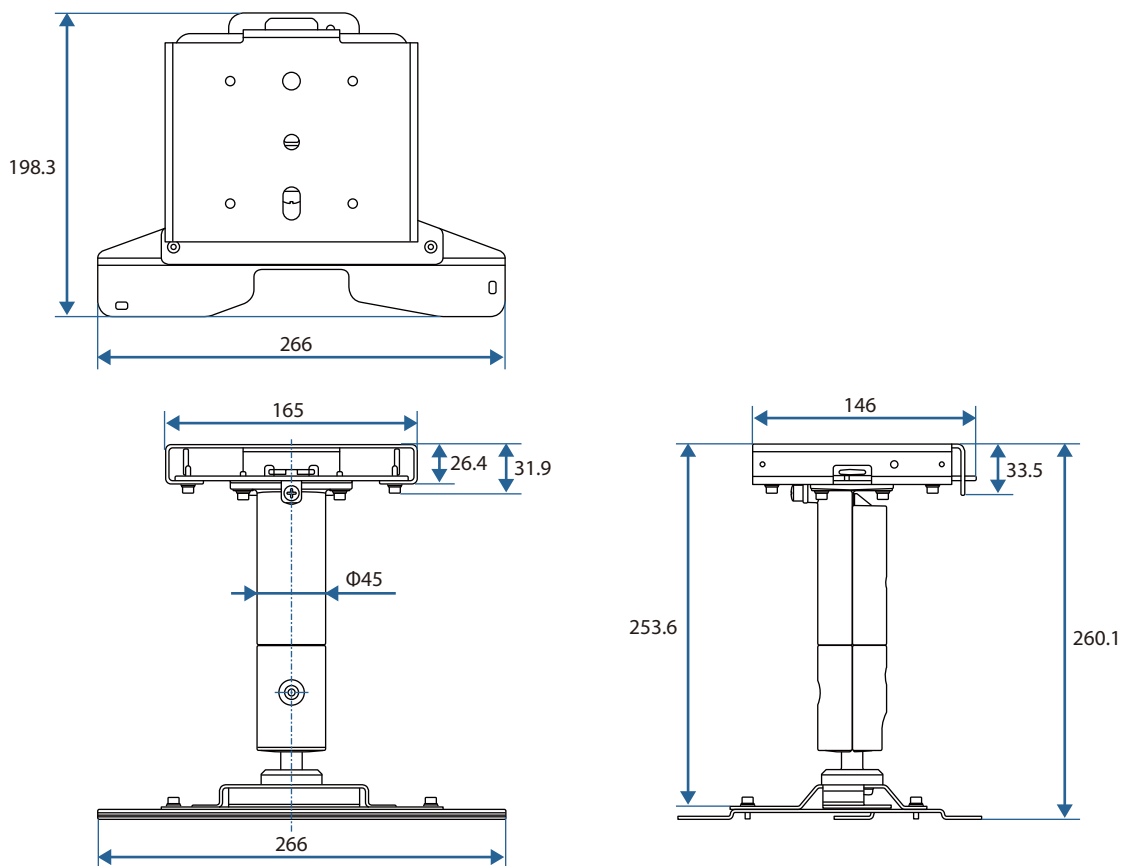
Especificación

Elemento	Especificación
Masa (placa del proyector, unidad del brazo, placa A/B del soporte para fijación en techo/pedestal para el suelo, cubierta del soporte A/B)	Aprox. 2,7 kg
Capacidad máxima de carga	Aprox. 10,0 kg

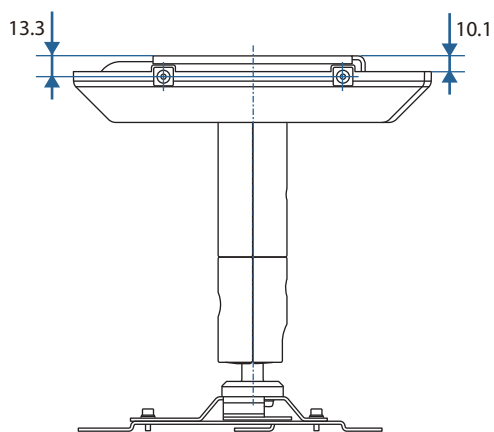
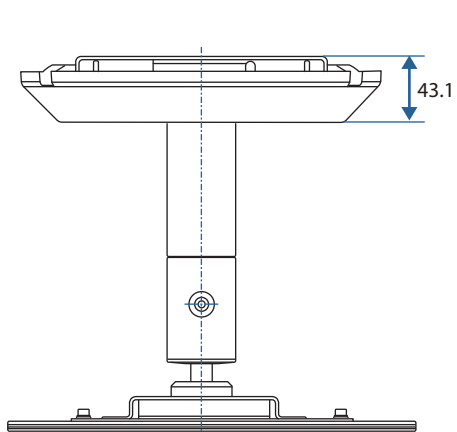
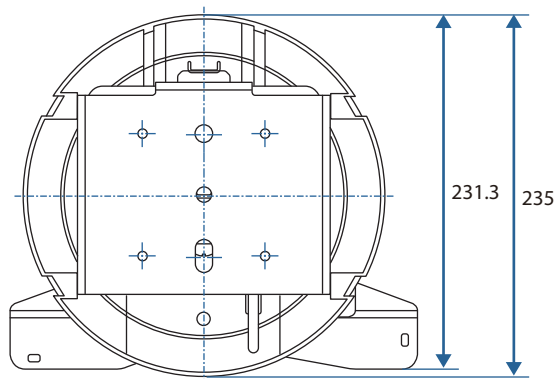
Apariencia

[Unidad: mm]

Sin la tapa del soporte



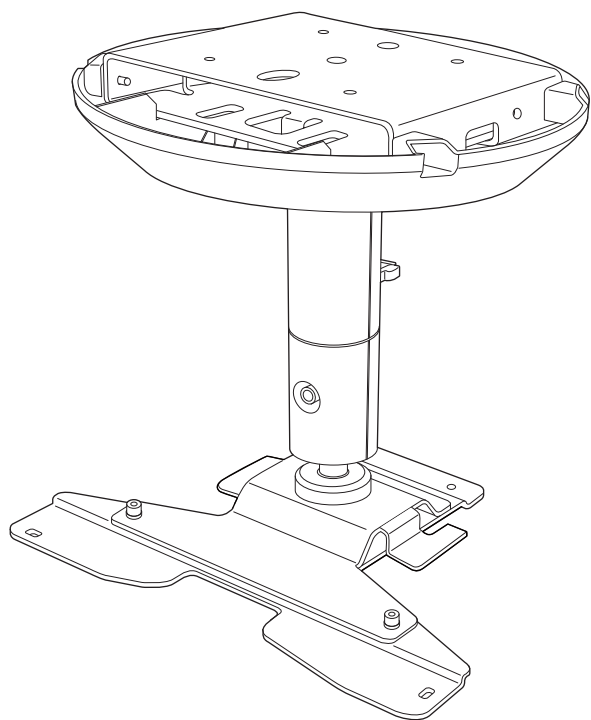
Con la tapa del soporte acoplada



©SEIKO EPSON CORPORATION 2019. All rights reserved.

ELPMB60

Manual de instalação



Instruções de Segurança

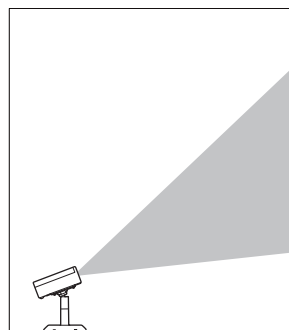
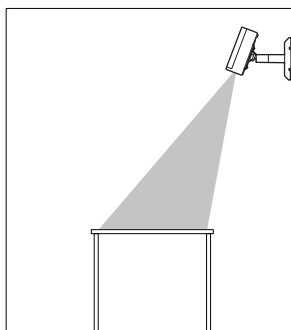
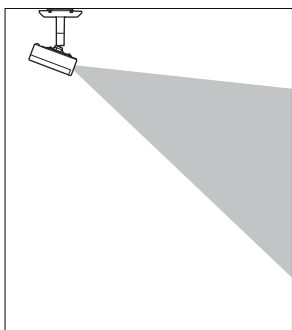
Este manual explica como instalar o projetor no teto, numa parede, ou no solo com recurso ao suporte para montagem no teto/suporte para solo ELPMB60 fornecido.

Leia este manual atentamente para utilizar os suportes de instalação e o projector em segurança. Um manuseamento incorrecto que ignore as instruções contidas neste manual poderá danificar este produto ou poderá resultar em lesões pessoais ou danos de propriedade. Mantenha este manual de instalação disponível para futura referência.

Para saber como utilizar o projector, leia o *Manual do Utilizador* e as *Instruções de Segurança* fornecidos com o seu projector e siga as instruções apresentadas nestes documentos.

Tipo de instalação

Este produto pode ser instalado no teto, numa parede, ou no solo.



Indicações de Segurança

A documentação e este produto utilizam símbolos gráficos para demonstrar como utilizar o produto de forma correcta e segura para evitar ferimentos pessoais e danos materiais.














As indicações e o respectivo significado são apresentados em seguida. Certifique-se de que os compreende correctamente antes de ler o manual.






Símbolo	Explicação
Aviso	Este símbolo indica a informação que, se for ignorada, poderá resultar em lesões pessoais ou mesmo morte devido ao manuseamento incorrecto.
Atenção	Este símbolo indica a informação que, se for ignorada, poderá resultar em lesões pessoais ou danos físicos devido ao manuseamento incorrecto.

Indicações de informação geral









Símbolos	Explicação
	Símbolo que indica uma acção que não deve ser efectuada
	Símbolo que indica uma acção que deve ser efectuada
	Este símbolo indica informações relacionadas ou úteis








Precauções ao instalar o projector

 Aviso	
<p>A instalação do projetor deve ser efetuada apenas por um técnico qualificado.</p> <p>Se o trabalho de instalação não for efetuado corretamente, o suporte ou o projetor pode cair e provocar ferimentos ou acidentes.</p>	
<p>Siga as instruções deste manual ao efectuar o trabalho de instalação.</p> <p>Se as instruções não forem cumpridas, o suporte ou o projetor pode cair e provocar ferimentos ou acidentes.</p>	
<p>Verifique se a estrutura e o material da superfície na qual pretende instalar o suporte são fortes o suficiente antes da instalação e utilize o método de instalação adequado.</p> <p>Se o trabalho não for efetuado corretamente, o suporte ou o projetor pode cair e provocar ferimentos ou acidentes.</p>	
<p>A instalação no teto deve ser efetuada por, pelo menos, duas pessoas. Certifique-se também de que se encontra firmemente apoiado para não deixar cair o suporte ou o projector.</p>	
<p>Aquando da instalação num local alto, como teto, parede, ou prateleira, certifique-se de que instala o cabo de segurança fornecido no suporte e no projetor para evitar a queda do mesmo.</p>	
<p>Não instale nada neste suporte além de projetores EPSON compatíveis com este produto.</p> <p>Se instalar um projetor que não seja compatível com este produto, o suporte pode cair, virar, ou ficar danificado, causando morte ou ferimentos graves.</p> <p>Consulte o catálogo para uma lista dos projetores compatíveis com este produto.</p>	
<p>Ao efectuar a instalação, certifique-se de que instala um disjuntor (com uma tensão nominal igual ou inferior a 10 A) num local acessível.</p> <p>Se ocorrer algum problema durante a instalação, desligue de imediato a cablagem interna.</p>	
<p>Tenha em atenção o seguinte quando manusear o cabo de alimentação. Caso contrário, poderá provocar um incêndio ou choque eléctrico.</p> <ul style="list-style-type: none"> • Não utilize a ficha com as mãos molhadas • Não utilize um cabo de alimentação danificado ou modificado • Não exerça força excessiva no cabo de alimentação • Não prenda o cabo entre as peças do suporte durante a instalação 	
<p>Não enrole cabos à volta do projector ou do suporte.</p>	
<p>Quando efectuar as ligações dos cabos, encaminhe-os de modo a que não toquem nos parafusos.</p> <p>Se os cabos entrarem em contacto com os parafusos, podem provocar um incêndio ou choque eléctrico.</p>	
<p>Ao efectuar a instalação, certifique-se de que aperta totalmente os parafusos.</p> <p>Se estes não estiverem devidamente apertados, o suporte ou o projetor pode cair ou virar, provocando ferimentos ou acidentes.</p>	
<p>Não desaperte nem remova parafusos sem justificação plausível durante a instalação ou remoção deste produto.</p>	






 Aviso	
<p>Ao fixar o suporte, não utilize colas para impedir que os parafusos se desapertem e não utilize lubrificantes, óleos, etc.</p> <p>Se utilizar colas para impedir que os parafusos se desapertem, ou se utilizar lubrificantes ou óleos, o suporte ou o projetor poderá quebrar, cair, ou virar, provocando ferimentos ou acidentes.</p>	
<p>Não pendure objectos no suporte ou no projector e não coloque objectos pesados em cima dos mesmos.</p> <p>Caso contrário, o suporte ou o projetor pode cair ou virar, provocando ferimentos ou a morte.</p>	
<p>Ao efectuar a instalação, não exerça força excessiva no projector ou no suporte.</p> <p>Caso contrário, poderá danificar o suporte ou o projector e provocar ferimentos ou a morte.</p>	
<p>Não efectue a instalação nas seguintes situações. Contacte o seu distribuidor local ou o centro de apoio ao cliente Epson.</p> <ul style="list-style-type: none"> • Se o produto estiver danificado ou o tiver sofrido uma queda antes ou durante a instalação • Se o suporte estiver danificado ou apresentar anomalias 	

Avisos e precauções acerca dos locais de instalação

 Aviso	
<p>Verifique a estrutura e o material da superfície na qual pretende instalar o suporte e utilize o método de instalação adequado.</p>	
<p>Certifique-se de que a superfície na qual pretende instalar o suporte é suficientemente resistente.</p>	
<p>Não instale o suporte ou o projector num local instável onde possa estar sujeito a vibrações ou impactos.</p> <p>A superfície na qual o suporte está instalado pode sofrer danos. Da mesma forma, o suporte ou o projetor podem cair ou virar, provocando ferimentos ou acidentes.</p>	
<p>Não instale numa superfície que não seja forte o suficiente para aguentar a carga ou seja inclinada.</p> <p>A superfície de instalação deve ser forte o suficiente para suportar o projetor e este produto. Verifique o peso do projetor e deste produto antes da instalação, faça os cálculos do peso possível e só depois, se validado, proceda à instalação.</p>	
<p>Não instale nem utilize o projector em locais onde este possa ficar exposto a chuva ou água, tais como, espaços exteriores, casas de banho ou balneários.</p> <p>Caso contrário, poderá provocar um incêndio ou choque eléctrico.</p>	
<p>Não utilize o videoprojetor num local sujeito a gás inflamável ou explosivo.</p> <p>Se o projector aquecer demasiado, poderá incendiar e provocar um incêndio.</p>	
<p>Não tape a abertura para entrada de ar nem a abertura para saída de ar do videoprojetor.</p> <p>Se tapar as aberturas de ventilação, a temperatura interna do projector poderá aumentar e provocar um incêndio.</p>	

 Atenção	
<p>Não instale o projector num local que esteja sujeito a temperaturas que excedam o intervalo de temperaturas de funcionamento do projector.</p> <p>Esse tipo de ambiente poderá danificar o videoprojector.</p>	
<p>Instale-o num local afastado de saídas de ar, como por exemplo de aparelhos de ar condicionado.</p> <p>Se o ar proveniente do ar condicionado incidir directamente sobre o projector, a temperatura aumentará e o projector poderá não funcionar correctamente.</p>	
<p>Instale-o afastado de lâmpadas fluorescentes.</p> <p>Alguns tipos de luzes fluorescentes poderão interferir com controlo remoto do videoprojector.</p>	
<p>Instale-o num local onde luzes fortes, como luzes de lâmpadas fluorescentes e luz solar directa não incidam sobre o receptor do controlo remoto.</p> <p>Se raios fortes de luz incidirem sobre o receptor do controlo remoto, poderá não ser possível executar correctamente as operações do controlo remoto.</p>	
<p>Instale o projector num local sem pó ou humidade excessiva para evitar que a lente ou os componentes internos fiquem sujos.</p>	
<p>Não instale o projetor num local sujeito a elevados níveis de poeira ou humidade, nem num local sujeito a fumo ou vapor.</p> <p>Caso contrário, poderá provocar um incêndio ou choque elétrico. A estrutura exterior do projetor também pode deteriorar e ficar danificada, levando à queda do projetor do suporte.</p> <p>Exemplos de ambientes que podem causar a queda do projetor devido a deterioração da estrutura exterior</p> <ul style="list-style-type: none"> • Locais sujeitos a fumo excessivo ou partículas de óleo aerossóis, como fábricas ou cozinhas • Locais contendo solventes ou químicos voláteis, como fábricas ou laboratórios • Locais onde o projetor possa estar sujeito a detergentes ou químicos, como fábricas ou cozinhas • Locais onde sejam utilizados óleos aromáticos regularmente, como salas de relaxamento • Na proximidade de dispositivos que produzam fumo excessivo, partículas de óleo aerossóis ou espuma em eventos 	

Precauções de manuseamento após a instalação

 Aviso	
<p>Nunca desaperte os parafusos após a instalação.</p> <p>Verifique regularmente se existem parafusos desapertados, e caso existam, aperte-os correctamente. Se estes não estiverem devidamente apertados, o suporte ou o projetor pode cair ou virar, provocando ferimentos ou acidentes.</p>	
<p>Ao instalar ou suspender o produto no suporte, não exerça força excessiva.</p>	
<p>Nunca desmonte nem remodele este produto, exceto conforme indicado neste manual.</p>	
<p>Não utilize um pano húmido ou solventes, como álcool, benzina ou diluente, aquando da limpeza do produto.</p> <p>Pode entrar água no projetor ou a estrutura exterior pode deteriorar e rachar causando choque elétrico.</p>	

Utilizar o Produto em Segurança

Instruções de Segurança	1
Tipo de instalação	1
Indicações de Segurança	1
Indicações de informação geral	1
Precauções ao instalar o projector	2
Avisos e precauções acerca dos locais de instalação	3
Precauções de manuseamento após a instalação	4

Preparar o projector

Conteúdos da Embalagem	6
-------------------------------------	----------

Procedimento de Instalação

Fixar o suporte no projector	8
---	----------

Fixar a placa do projetor	8
Fixar a unidade de braço	9

Instalar o cabo de segurança	11
---	-----------

Fixar o projetor no local de instalação	12
--	-----------

Determinar a posição de instalação	12
Posições e dimensões dos orifícios de montagem	12
Quando o local de instalação for em betão	12
Quando o local de instalação for em madeira	13

Instalar a placa do suporte para montagem no teto/suporte para solo	13
Fixe a unidade de braço à placa do suporte para montagem no teto/suporte para solo	15

Ligar os cabos	16
-----------------------------	-----------

Instalar a tampa do suporte	17
--	-----------

Ajustar a orientação do projector	20
--	-----------

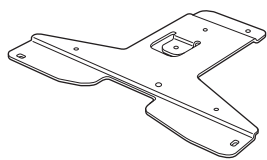
Anexos

Especificação	22
----------------------------	-----------

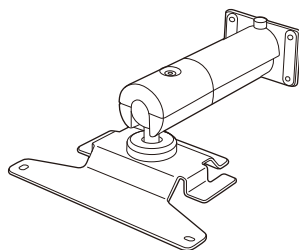
Aspecto	22
---------------	----

Conteúdos da Embalagem

Verifique se possui todos os seguintes acessórios antes de iniciar o trabalho.



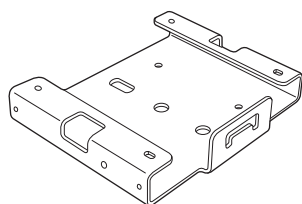
Placa do projetor



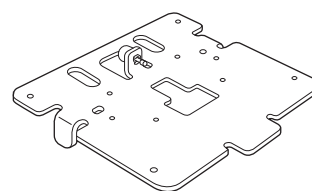
Unidade de braço



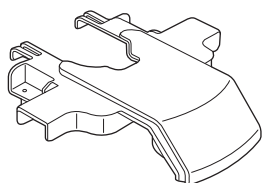
Grampo para cabos



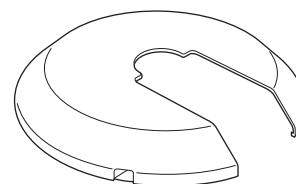
Suporte para montagem no teto/suporte para solo A



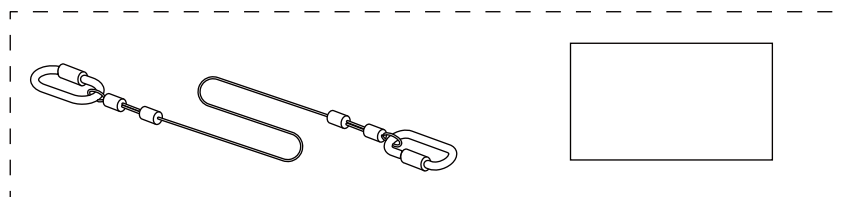
Suporte para montagem no teto/suporte para solo B



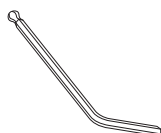
Tampa do suporte A



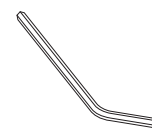
Tampa do suporte B



Conjunto de cabo de segurança (cabo de segurança (500 mm) e *Manual do Utilizador*)




Chave hexagonal (M4 ponta esférica)



Chave hexagonal (M6)

Forma	Nome	Quantidade	Aplicação
	Parafuso de cabeça hexagonal M4 x 14 mm (com anilha): preto	4	Fixa o suporte para montagem no teto/suporte para solo B.
		4	Fixa a unidade de braço à placa do suporte para montagem no teto/suporte para solo.

Preparar o projector

Forma	Nome	Quantidade	Aplicação
	Parafuso de cabeça hexagonal M4 x 10 mm (com anilha): prateado	4	Fixa a placa do projetor ao projetor.
		3	Fixa a unidade de braço à placa do projetor.
		6	Fixa a tampa do suporte.

Fixar o suporte no projetor

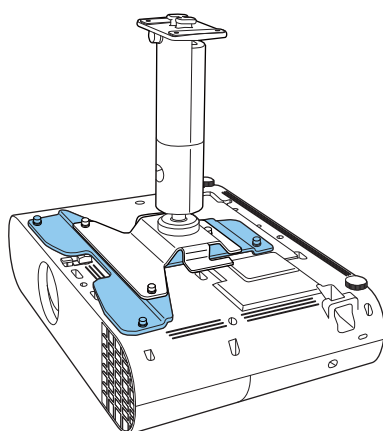
Fixe a placa do projetor e a unidade de braço à base do projetor.

Atenção

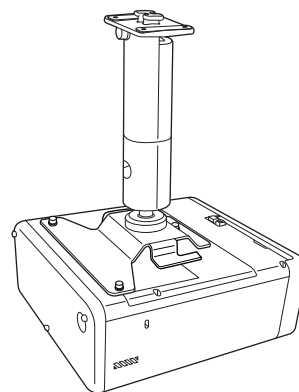
Certifique-se de que utiliza os parafusos fornecidos ao fixar o suporte no projetor.

Fixar a placa do projetor

Poderá ter de fixar a placa do projetor consoante o modelo que estiver a utilizar. Consulte o procedimento de instalação da unidade de braço.



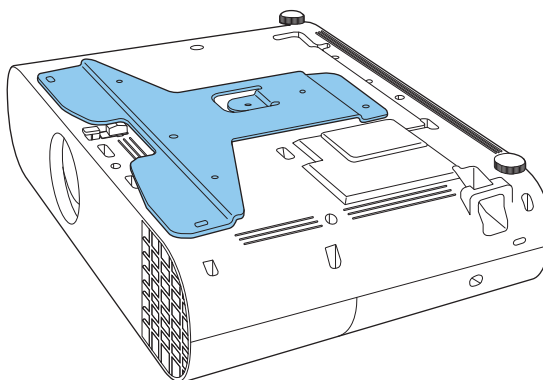
Placa de projetor necessária



Placa de projetor desnecessária

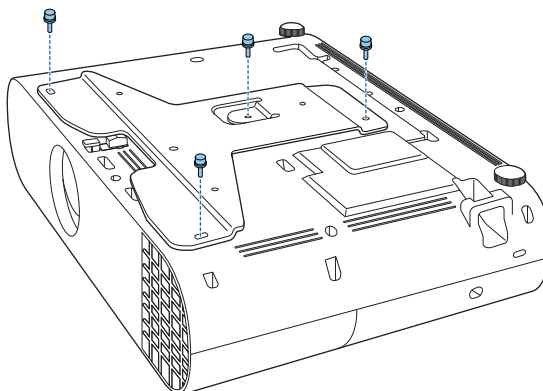
1 Instale a placa do projetor na base do projetor.

Alinhe os orifícios dos parafusos no ponto de fixação do projetor com os orifícios dos parafusos na placa do projetor.



2

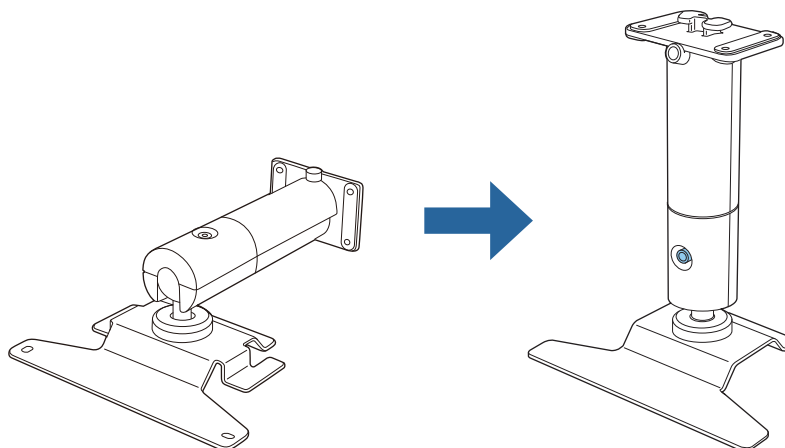
Fixe a placa do suporte utilizando os parafusos M4 x 10 mm fornecidos (x4).



Fixar a unidade de braço

1

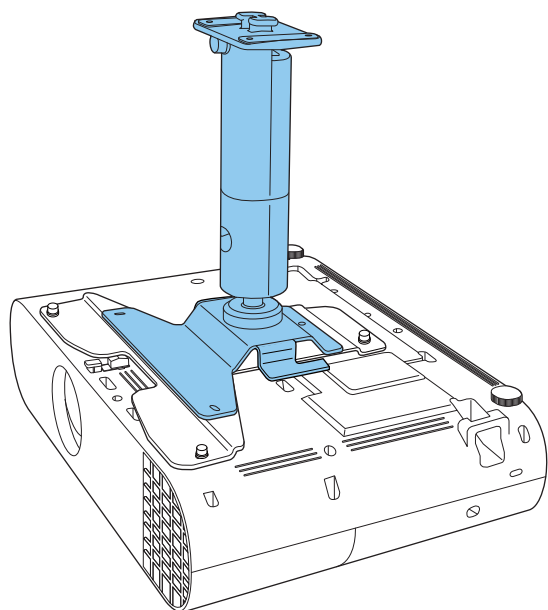
Endireite a unidade de braço e aperte os parafusos.



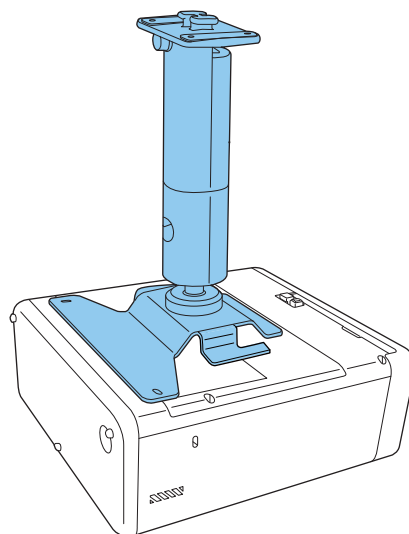
2

Coloque a unidade de braço no projetor.

Alinhe os orifícios dos parafusos na placa do projetor ou os orifícios dos parafusos no projetor com os orifícios dos parafusos na unidade de braço.



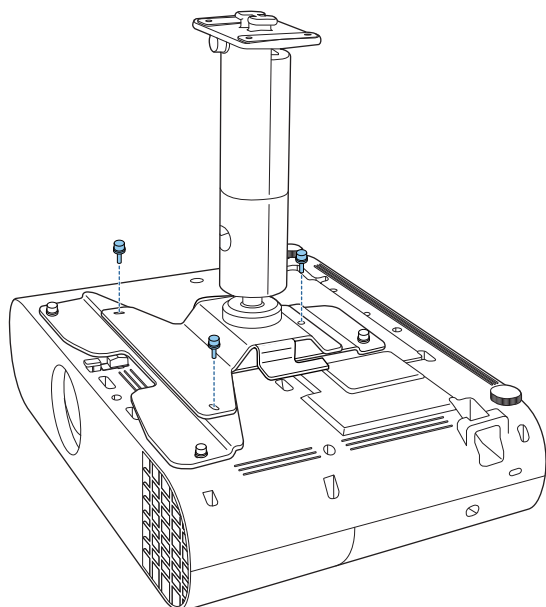
Com placa do projetor



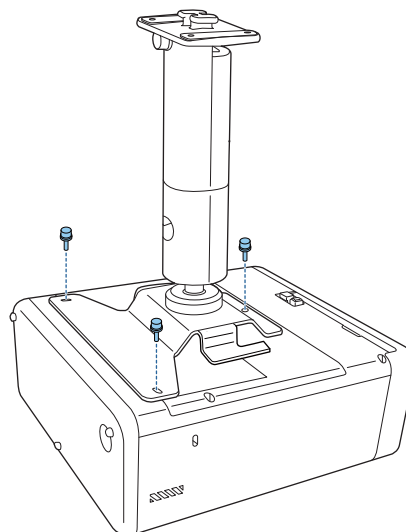
Sem placa do projetor

3

Fixe a unidade de braço no projetor utilizando os parafusos M4 x 10 mm fornecidos (x3).



Com placa do projetor



Sem placa do projetor

Instalar o cabo de segurança

Aquando da instalação num local alto, como teto, parede, ou prateleira, depois de fixar a unidade de braço, instale o cabo de segurança fornecido para evitar a queda do projetor.

Para detalhes sobre o procedimento de instalação, consulte o *Manual do Utilizador* fornecido com o conjunto do cabo de segurança.

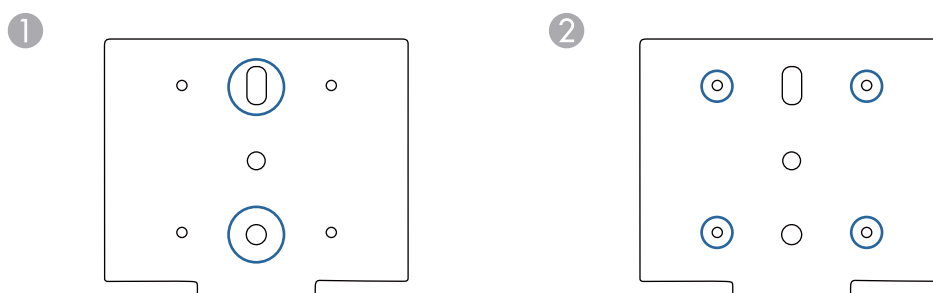
Fixar o projetor no local de instalação

Determinar a posição de instalação

Verifique a posição onde pretende projetar a imagem e determine a posição para o suporte para montagem no teto/suporte para solo.

Tenha em consideração a estrutura (resistência, entre outros fatores) do local de instalação do suporte para montagem no teto/suporte para solo.

Posições e dimensões dos orifícios de montagem



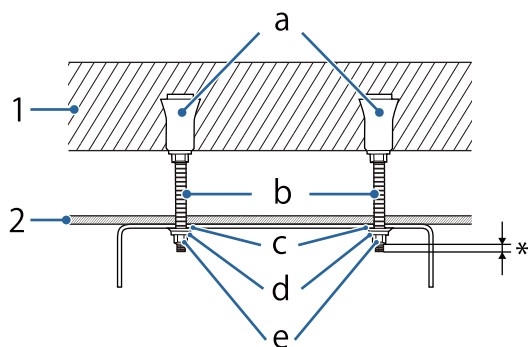
- 1 Orifício de montagem do parafuso de ancoragem (M10)
- 2 Orifício de montagem do parafuso de madeira (diâmetro nominal 5,1)

Quando o local de instalação for em betão

Utilize dois parafusos de ancoragem para fixar o suporte numa superfície de betão. Certifique-se de que adquire os parafusos de ancoragem antes da instalação.

Aviso

- Verifique antecipadamente se o betão do local de instalação suporta o peso combinado deste produto e do projetor, assim como quaisquer movimentos laterais que possam ocorrer devido a terremotos, etc. Se o betão for frágil, ou ficar deteriorado com o tempo, reforce-o adequadamente.
- As ancoragens devem ser instaladas em conformidade com as normas e métodos especificados pelos fabricantes do material de forma a assegurar que não partem, desapertam, ou ficam desalinhasadas.
- Certifique-se de que todos os parafusos são devidamente apertados aquando da instalação ou após eventuais ajustes de ângulo.
Depois de apertar os parafusos, aperte-os mais um pouco para garantir de que nenhum está mal apertado.
- Tenha em conta que não nos responsabilizamos por quaisquer acidentes decorrentes da queda deste produto em virtude de inadequação da área de instalação.



- 1: Betão
- 2: Superfície em teto
- a: parafuso de ancoragem rosca fêmea
- b: parafuso de suspensão
- c: anilha lisa
- d: anilha de pressão
- e: porca hexagonal
- *: Devem ser visíveis pelo menos 3 linhas de rosca do parafuso.

No entanto, não prolongue mais do que 9 mm uma vez que dessa forma tocará no suporte.

■ Quando o local de instalação for em madeira

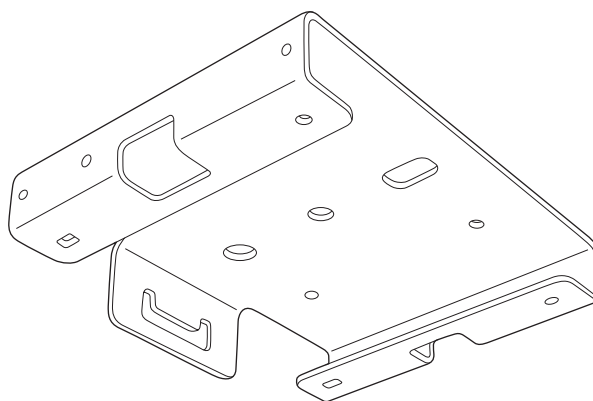
Aviso

Ao utilizar parafusos para madeira, certifique-se de que a base tem pelo 20 mm de espessura.

Instalar a placa do suporte para montagem no teto/suporte para solo

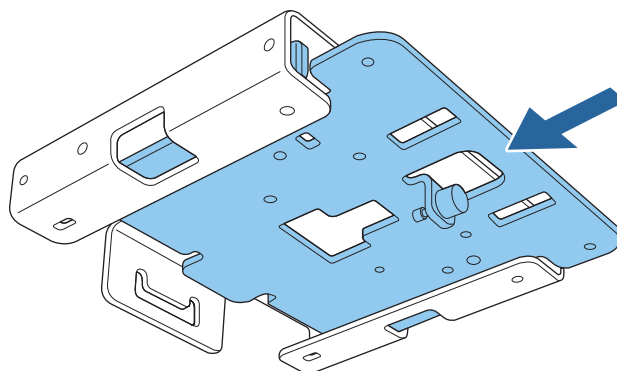
1 Faça os orifícios de instalação no local de instalação.

2 Fixa a placa A do suporte para montagem no teto/suporte para solo no teto.
Adquira os artigos disponíveis comercialmente para utilizar na instalação.



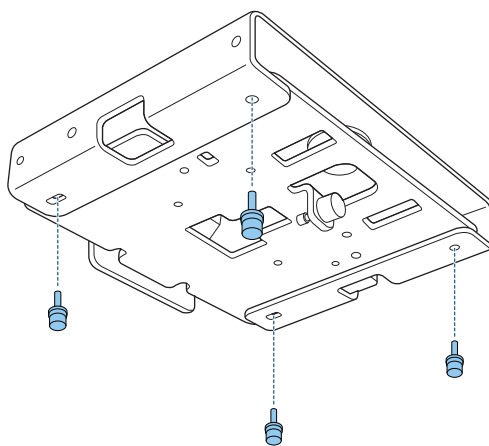
3

Insira a placa B do suporte para montagem no teto/suporte para solo na placa A.



4

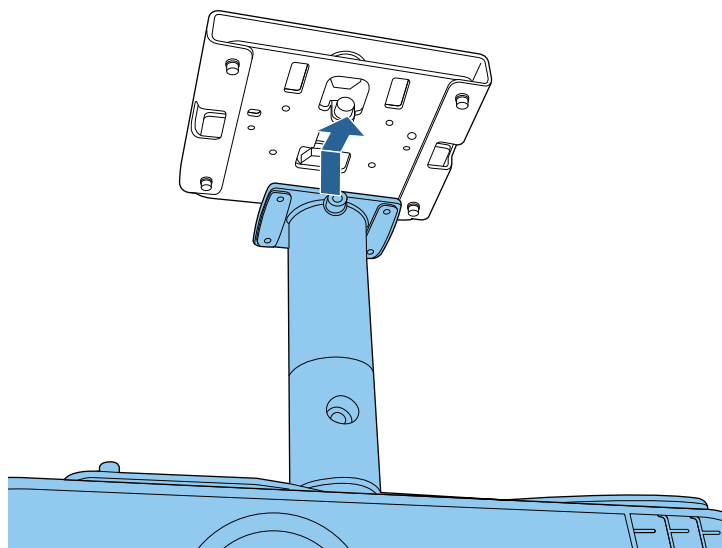
Aperte os parafusos M4 x 14 mm fornecidos (x4) com a chave hexagonal (ponta esférica M4) e fixe a placa B do suporte para montagem no teto/suporte para solo.



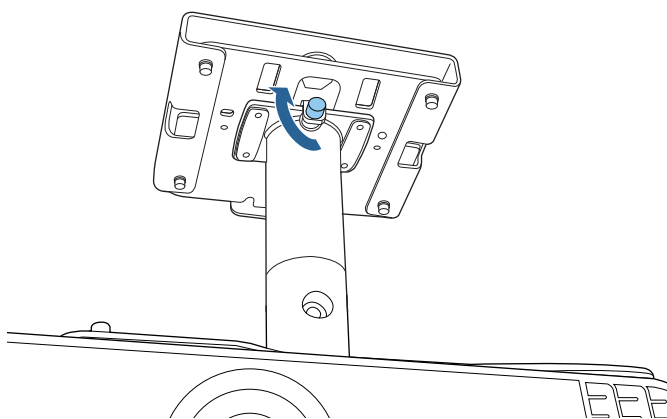
Fixe a unidade de braço à placa do suporte para montagem no teto/suporte para solo

- 1 Insira a unidade de braço no espaço específico na placa B do suporte para montagem no teto/suporte para solo.

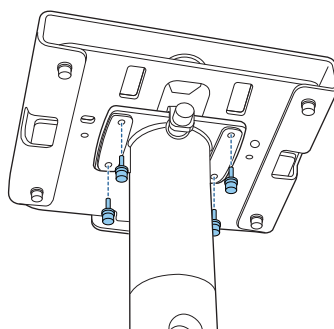
Deslize-a para a frente e alinhe os orifícios dos parafusos da placa B do suporte para montagem no teto/suporte para solo com os orifícios dos parafusos na unidade de braço.



- 2 Aperte os parafusos da placa B do suporte para montagem no teto/suporte para solo para fixar temporariamente a unidade de braço.



- 3 Aperte os parafusos M4 x 14 mm fornecidos (x4) com a chave hexagonal (ponta esférica M4) para fixar a unidade de braço.



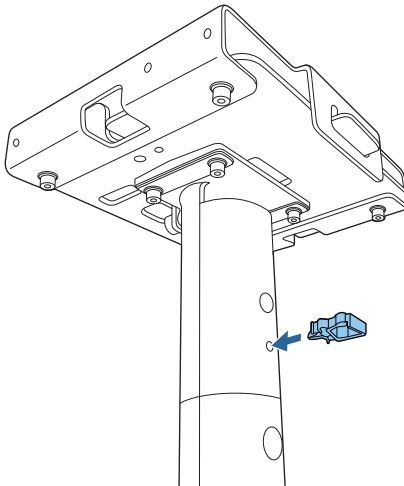
Ligar os cabos

Ligue os cabos necessários às portas de ligação do projetor.

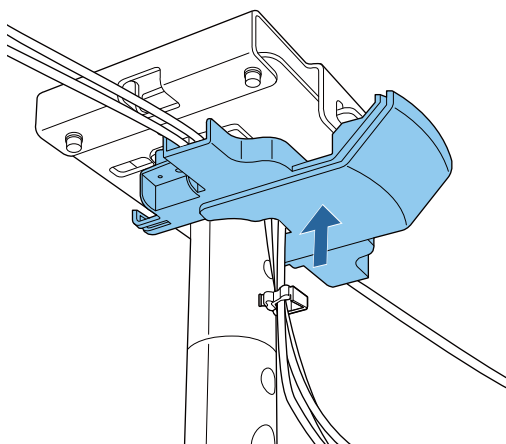
Consulte o *Manual do Utilizador* do projectador para obter mais informações sobre as portas de ligação.


Instalar a tampa do suporte

- 1 Fixe o grampo para cabos na unidade de braço.
Insira o grampo para cabos através dos orifícios na unidade de braço.



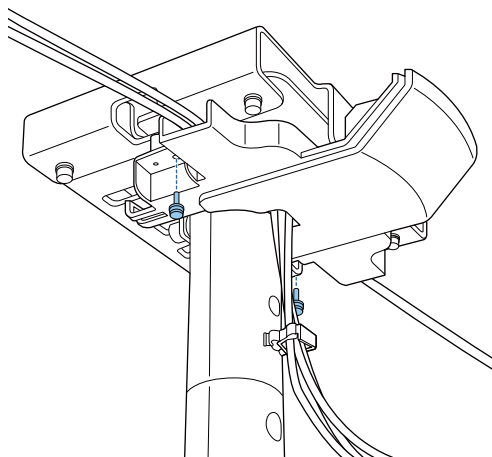
- 2 Fixe a tampa do suporte A à placa do suporte para montagem no teto/suporte para solo.



 Passe os cabos conforme necessário. Se os cabos forem grossos, ou se houver muitos cabos, ligue-os diretamente sem os passar pelos grampos para cabos ou calha.

3

Fixe a tampa do suporte A utilizando os parafusos M4 x 10 mm (x2) fornecidos.



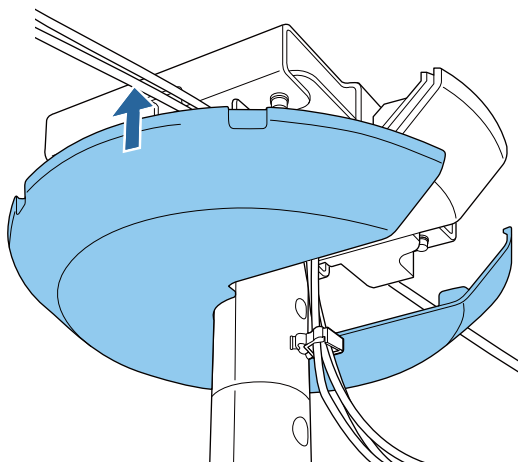
! Atenção

Certifique-se de que os cabos não ficam presos na tampa do suporte. Se apertar os parafusos com os cabos presos entre a tampa e o suporte, os cabos podem desligar.

4

Fixe a tampa do suporte B.

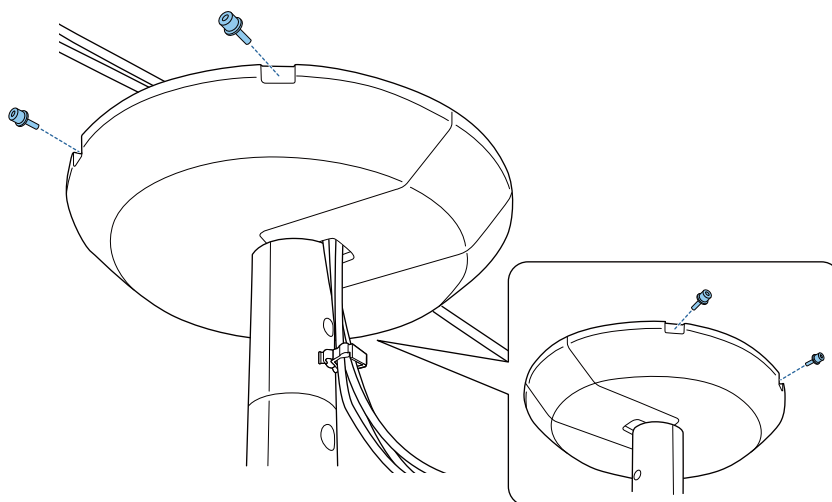
Coloque-o sobre a tampa do suporte A e fixe-a temporariamente.



5

Fixe a tampa do suporte B utilizando os parafusos M4 x 10 mm (x4) fornecidos.

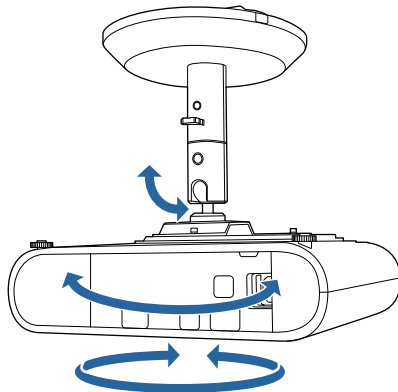
Alinhe os orifícios dos parafusos enquanto apoia a tampa do suporte B por baixo.



Ajustar a orientação do projector

Utilize a articulação esférica no projector para ajustar a orientação e o ângulo do projector.

A variedade de ângulos disponíveis varia consoante o modelo que estiver a utilizar. Para obter mais detalhes, consulte o *Manual do Utilizador* fornecido com o projector.

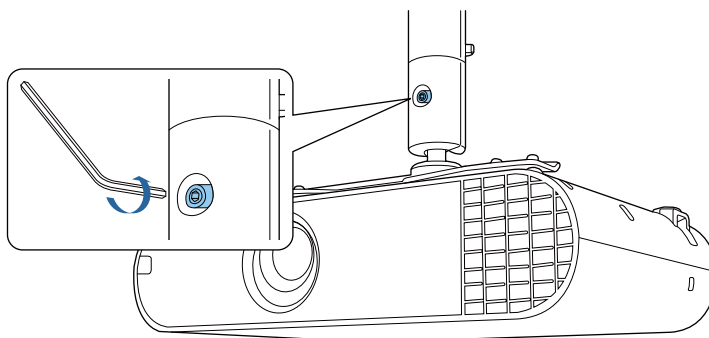


- 1 Prima o botão de alimentação no projector ou no controlo remoto.
O projector liga.

 **Atenção**

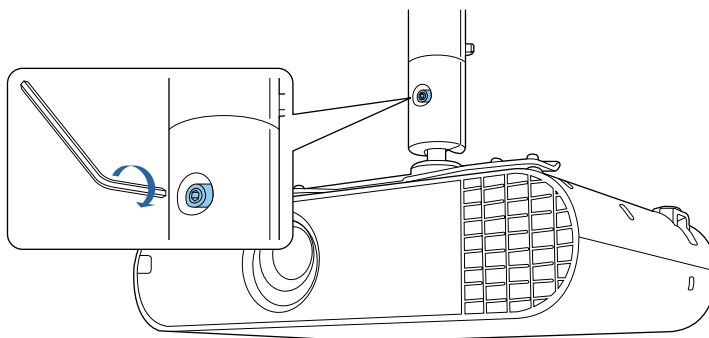
Antes de ligar o projector, certifique-se de que o suporte está devidamente fixo.

- 2 Desaperte o parafuso da articulação esférica da unidade de braço utilizando a chave hexagonal (M6).



- 3 Ajuste a orientação do projector.
Certifique-se de que apoia o projector por baixo durante o ajuste da orientação.

- 4** Depois de efetuar os ajustes, aperte corretamente o parafuso da secção da articulação esférica utilizando uma chave hexagonal (M6).



- Depois de fazer os ajustes, certifique-se de que aperta os parafusos da articulação esférica devidamente. Se não forem devidamente apertados, o ângulo do projetor mudará, alterando a posição da imagem projetada.
- Depois de ajustar a orientação do projetor, ajuste o tamanho e a focagem da imagem projetada. Para obter mais detalhes, consulte o *Manual do Utilizador* fornecido com o projetor.

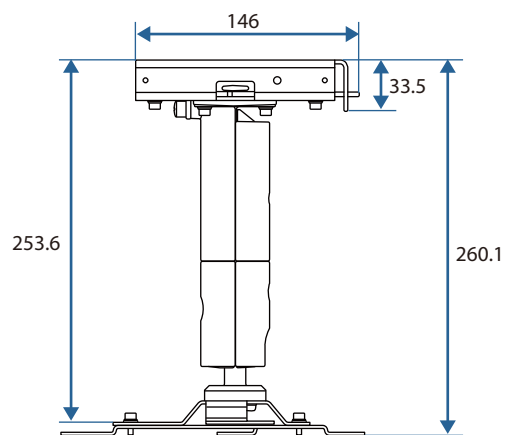
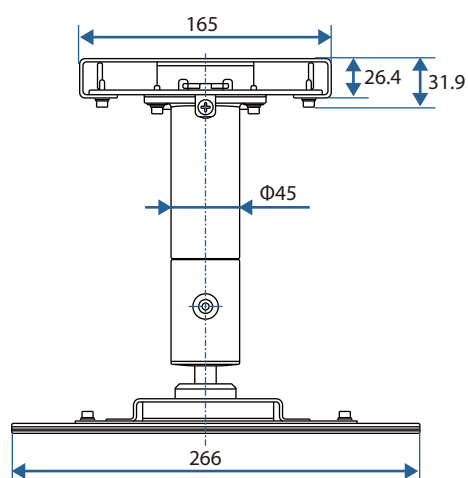
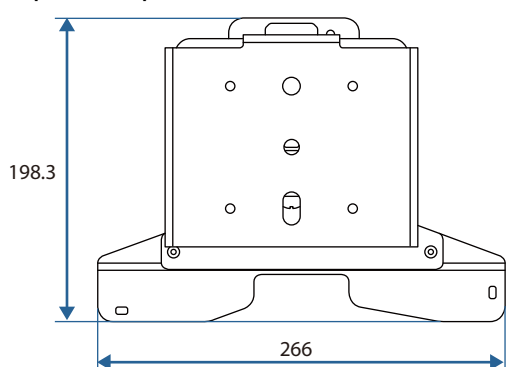
Especificação

Item	Especificação
Massa (placa do projetor, unidade de braço, placa A/B do suporte para montagem no teto/suporte para solo, tampa do suporte A/B)	Aprox. 2,7 kg
Capacidade de carga máxima	Aprox. 10,0 kg

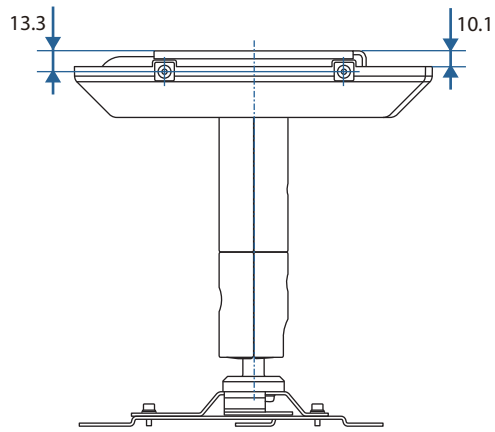
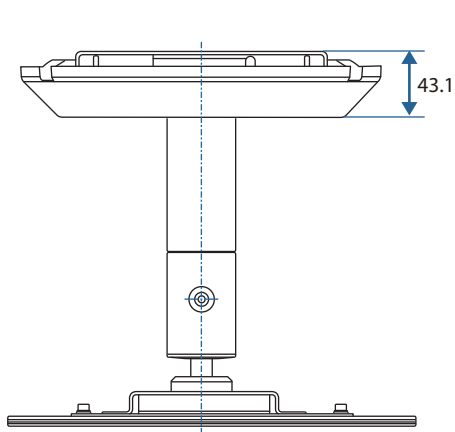
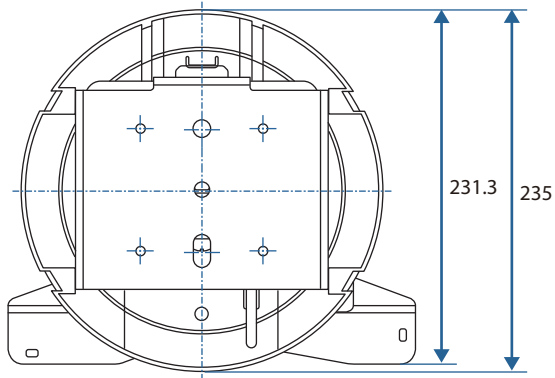
Aspecto

[Unidade: mm]

Sem a tampa do suporte



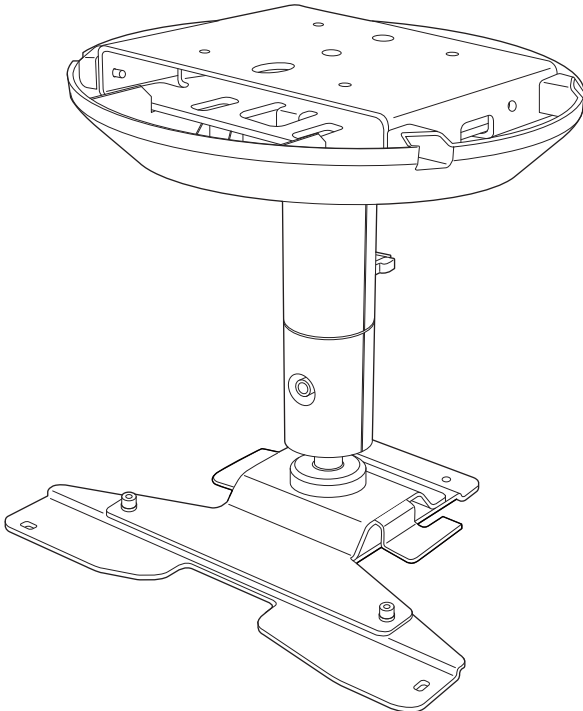
Com a tampa do suporte colocada



©SEIKO EPSON CORPORATION 2019. All rights reserved.

ELPMB60

安装手册



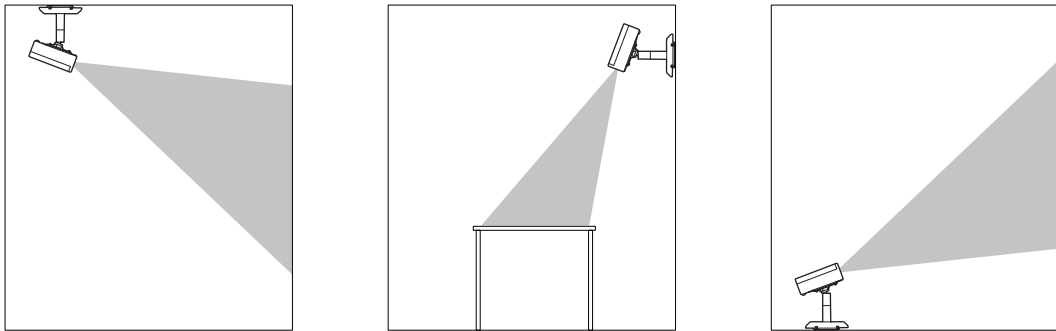
安全使用须知

本手册将介绍如何使用随附的ELPMB60 天花板支架/落地支架将投影机安装于天花板、墙壁或地板上。务必仔细阅读本指南，以确保安全使用安装架和投影机。忽视本手册的使用须知而造成的处置不当，可能会损坏本产品、导致人身伤害或财产损失。请将本安装手册置于手边以备将来参考。

要了解如何处理投影机，请阅读投影机随附的 *使用说明书* 和 *安全使用须知*，并按照这些文档的说明进行操作。

安装类型



本产品可以安装于天花板、墙壁或地板上。



安全符号

本文档和本产品使用图形符号介绍如何安全和正确使用本产品，以防止对客户和他人造成伤害，同时避免损坏设备。


















这些符号及其含义如下所述。请务必在阅读本手册之前正确理解它们的含义。

符号	说明
 警告	若忽视此符号表示的信息，可能会因处置不当而导致人身伤害甚至死亡。
 注意	若忽视此符号表示的信息，可能会因处置不当而造成人身伤害或机械损坏。













一般信息符号

符号	说明
	此符号表示必须执行的操作
	此符号表示应执行的操作
	此符号表示相关或有用的信息

安装投影机的注意事项

 警告	
<p>投影机安装操作只能由具有必要技能和知识的专业人员执行。</p> <p>如果安装工作执行不当，则装配架或投影机可能会掉落或倾翻，造成人身伤害或事故。</p>	
<p>请遵循本说明书的说明执行安装工作。</p> <p>如未遵循这些说明，则装配架或投影机可能会掉落或倾翻，造成人身伤害或事故。</p>	
<p>在安装之前请检查安装位置的结构和材料是否足够坚固，然后使用最合适的安装方法进行安装。</p> <p>如果工作执行不当，则装配架或投影机可能会掉落或倾翻，造成人身伤害或事故。</p>	
<p>安装于天花板或墙壁的操作应至少由两名人员完成。另外，确保有一个牢固、稳定的立足点，以免装配架或投影机掉落。</p>	
<p>在位置较高的区域（例如天花板、墙壁或货架）上安装时，请务必使用随附的投影机安全吊绳将装配架和投影机相连以防止投影机掉落。</p>	
<p>请勿将任何其他设备（与此产品兼容的 EPSON 投影机除外）与此装配架相连。</p> <p>若安装与此产品不兼容的投影机，则可能导致装配架掉落、倾翻或损坏造成严重的人员伤亡。请检查与此产品兼容的投影机目录。</p>	
<p>安装时，确保在旁边安装断路器（10 A或更小额定电流）。</p> <p>如果在安装时发生问题，请立即切断内部接线。</p>	
<p>处理电源线时注意以下事项。否则，可能会造成火灾或电击。</p> <ul style="list-style-type: none"> • 请勿在手湿时操作插头 • 请勿使用损坏或改装的电源线 • 请勿让电源线过度受力 • 安装时，不要将线缆卡在装配架零件等之间 	
<p>请勿将线缆卷在投影机或装配架上。</p>	
<p>排布线缆等时，应避免接触到螺钉和螺栓。</p> <p>如果线缆接触到螺钉或螺栓，则可能造成火灾或触电。</p>	
<p>安装时确保将螺钉或螺栓拧紧。</p> <p>如果没有拧紧，则装配架或投影机可能会掉落或倾翻造成人身伤害或事故。</p>	
<p>安装或拆除此产品时不得以任何理由旋松或拆除螺钉。</p>	
<p>固定装配架时，请勿使用粘合剂防止螺钉松动，不要使用润滑剂、油等。</p> <p>如果使用粘合剂（例如润滑剂、油等）防止螺钉松动，装配架或投影机外壳可能会开裂、掉落或倾翻，进而造成人身伤害或事故。</p>	
<p>请勿在装配架或投影机上悬挂物品或在其上面放重物。</p> <p>否则，装配架或投影机可能会掉落或倾翻，造成死亡或人身伤害。</p>	
<p>安装时，请勿让投影机或装配架过度受力。</p> <p>否则，装配架或投影机可能损坏，造成死亡或人身伤害。</p>	
<p>在以下情况下不要安装。请联系当地经销商或Epson服务呼叫中心。</p> <ul style="list-style-type: none"> • 产品在安装前或安装过程中掉落或损坏 • 装配架变形或损坏 	

有关安装位置的警告和注意事项

 警告	
检查装配架将要安装表面的结构和材料，并使用最佳安装方法。	
确保装配架将要安装的表面足够坚固。	
请勿将装配架或投影机安装到可能发生震动或碰撞的不稳定位置。 装配架所安装的表面可能发生损坏。另外，装配架或投影机可能会掉落或倾翻，造成人身伤害或事故。	
请勿在不够坚固、无法承受负载或者表面倾斜的位置安装。 安装位置必须足够坚固，能够支撑投影机和本产品。安装前请检查投影机和本产品重量，然后计算可允许的重量及其他参数，最后再进行安全安装。	
请勿在室外、卫生间或浴室等有雨或水的地方安装或使用投影机。 否则，可能会造成火灾或电击。	
请勿在有易燃易爆气体的地方使用投影机。 如果投影机内温度过高，则可能引燃并造成火灾。	
请勿盖住投影机的进气口或排气口。 如果其中一个气口被盖住，投影机内部温度会升高并造成火灾。	
 注意	
请勿将投影机安装在超出投影机操作温度范围的地方。 在此环境下可能会损坏投影机。	
安装时远离空调等排气口。 如果空调等的排气直接吹到投影机上，则温度会升高，投影机可能工作异常。	
安装时远离荧光灯。 某些类型的荧光灯可能会干扰投影机的遥控器。	
安装位置不应有荧光灯和直射阳光等强光源照射到遥控接收器上。 如果有强光照射到遥控接收器上，则遥控器可能工作异常。	
确保投影机安装位置没有大量灰尘和湿气，以防止镜头或内部组件变脏。	
请勿将投影机安装于粉尘量大、湿度高的区域或者安装于有烟雾或蒸汽的区域。 否则，可能会造成火灾或触电。此外，还可能导致投影机壳体劣化和损坏，致使投影机从装配架上掉落。 以下是可能导致壳体劣化致使投影机掉落的工作环境示例 <ul style="list-style-type: none"> • 有大量烟雾或含油微粒的气体空气中有的区域，例如工厂或厨房 • 有挥发性溶剂或化学物的区域，例如工厂或实验室 • 投影机可能受清洁剂或化学品影响的区域，例如工厂或厨房 • 经常使用精油的区域，例如休息室 • 偶尔会产生大量烟雾、含油微粒气体或泡沫的设备附近 	

安装后处置时的注意事项



安装后，切勿拧松螺钉或螺栓。 确保定期检查是否有螺钉或螺栓松动情况，有则拧紧。如果没有拧紧，则装配架或投影机可能会掉落或倾翻造成人身伤害或事故。	
安装时，请勿使装配架过度受力或吊挂在装配架上。	
切勿擅自拆解或改装此产品，如本手册中有明确要求时除外。	
清洁产品时，请勿使用潮湿的抹布或溶剂，例如酒精、汽油或稀释剂。 否则水可能渗入投影机或壳体内导致投影机或壳体劣化和开裂，进而引起触电。	

安全使用产品

安全使用须知	1
安装类型	1
安全符号	1
一般信息符号	1
安装投影机的注意事项	2
有关安装位置的警告和注意事项	3
安装后处置时的注意事项	4

准备投影机

装箱物品	6
------------	---

安装步骤

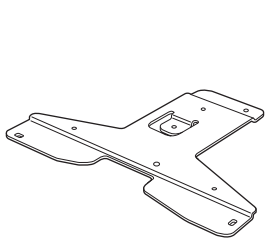
将装配架安装到投影机	8
安装投影机板	8
安装支臂组件	9
安装投影机安全吊绳	11
将投影机安装至安装位置	12
确定安装位置	12
装配架孔位置和尺寸	12
当安装位置为混凝土表面时	12
当安装位置为木质表面时	13
安装天花板装配架/地板支架板	13
将支臂组件安装至天花板装配架/地板支架板 上	14
连接线缆	16
装上装配架盖	17
调整投影机的方向	20

附录

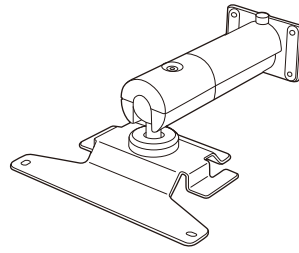
规格	22
外观	22

装箱物品

开始工作前确认备有以下所有附件。



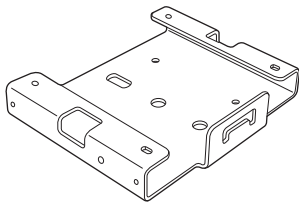
投影机板



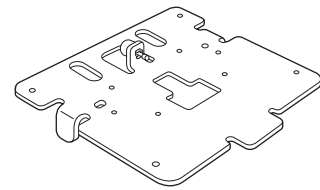
支臂组件



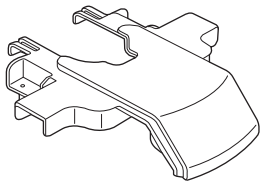
线夹



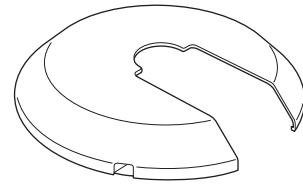
天花板装配架/地板支架板 A



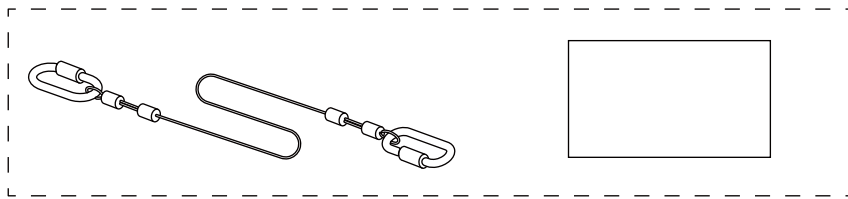
天花板装配架/地板支架板 B



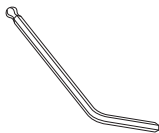
装配架盖 A



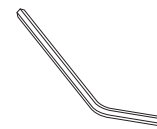
装配架盖 B



投影机安全吊绳套件 (投影机安全吊绳 (500 mm) 和 使用说明书)



六角扳手 (M4 球窝接点)



六角扳手 (M6)

形状	名称	数量	用途
	M4 x 14 mm 六角凹头螺钉 (带垫圈) : 黑色	4	固定天花板装配架/地板支架板 B。
		4	将支臂组件固定至天花板装配架/地板支架板上。

形状	名称	数量	用途
	M4 x 10 mm 六角凹头螺钉（带垫圈）：银色	4	将投影机板固定到投影机。
		3	将支臂组件固定到投影机板。
		6	固定装配架盖。

将装配架安装到投影机

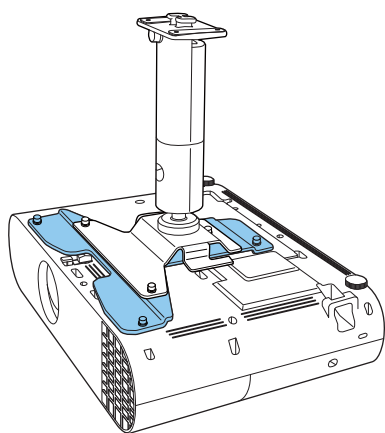
将投影机板和支臂组件安装到投影机基座。

注意

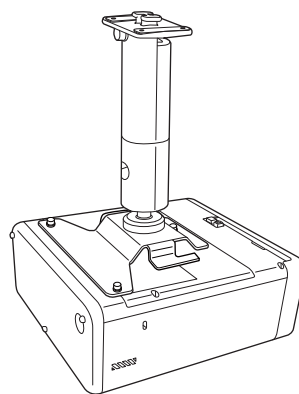
在将装配件安装到投影机时务必使用随附的螺钉。

安装投影机板

您可能不需要安装投影机板，具体由您当前使用的机型决定。详情请见支臂组件安装步骤。



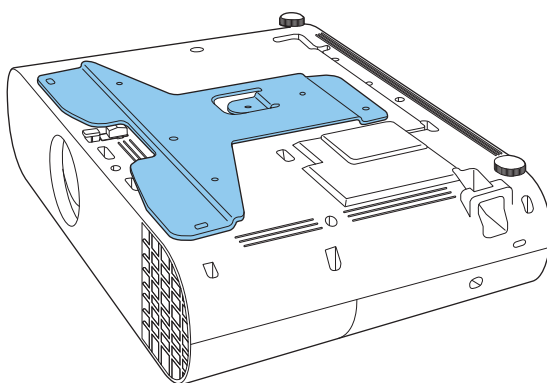
需要安装投影机板



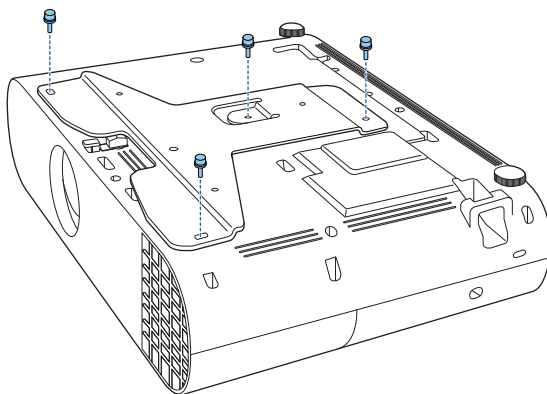
无需安装投影机板

1 将投影机板放置于投影机基座上。

将投影机安装固定点上的螺钉孔对准投影机板上的螺钉孔。

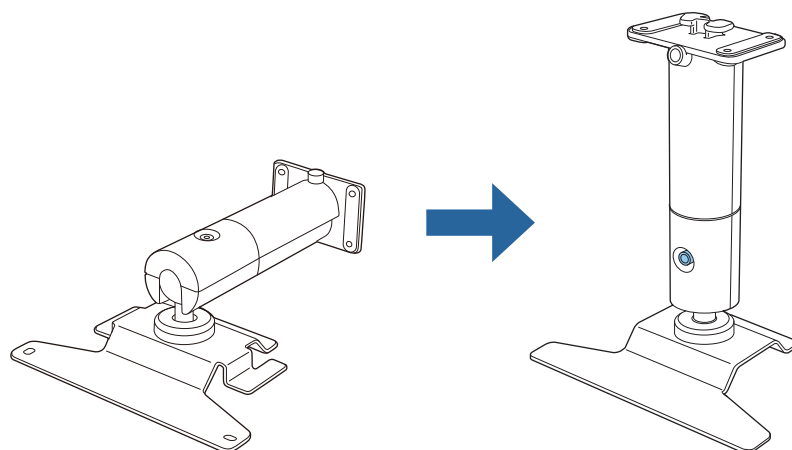


- 2 使用随附的 M4 x 10 mm 螺钉 (x4) 固定投影机板。



安装支臂组件

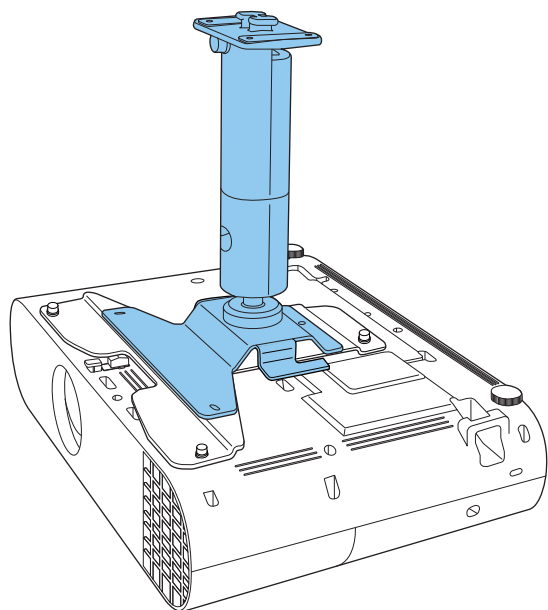
- 1 拉直支臂组件，然后拧紧螺钉。



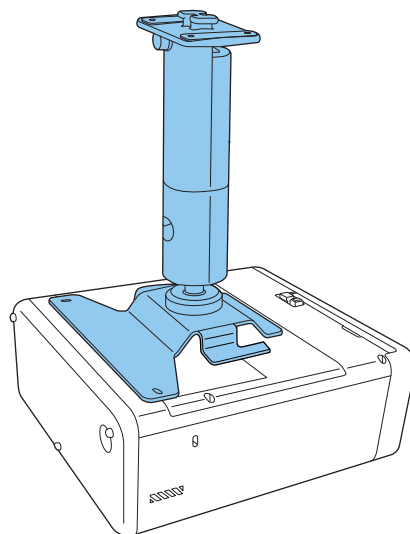
2

将支臂组件放到投影机上。

将投影机板上的螺钉孔或者投影机上的螺钉孔与支臂组件上的螺钉孔对齐。



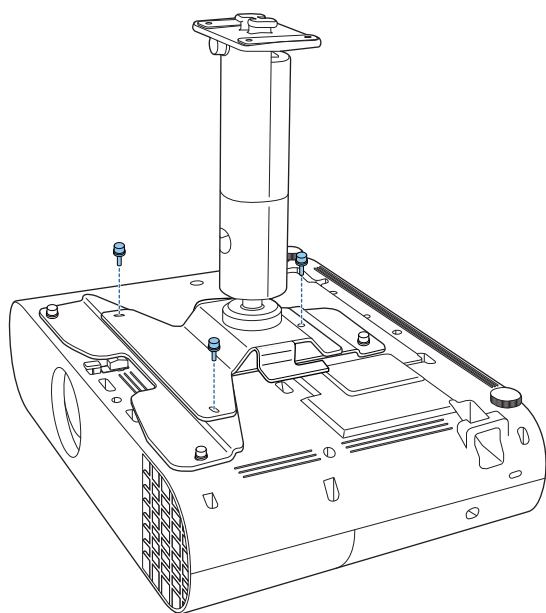
带投影机板



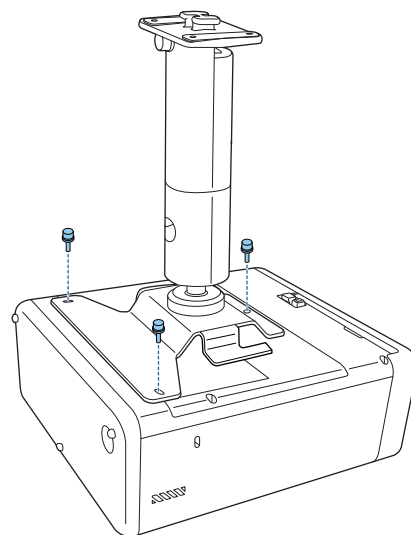
无投影机板

3

使用随附的 M4 x 10 mm 螺钉 (x3) 将支臂组件固定在投影机板上。



带投影机板



无投影机板

安装投影机安全吊绳

如果在位置较高的区域（例如天花板、墙壁或货架）上安装时，在安装完支臂组件后，应安装随附的投影机安全吊绳以防止投影机掉落。

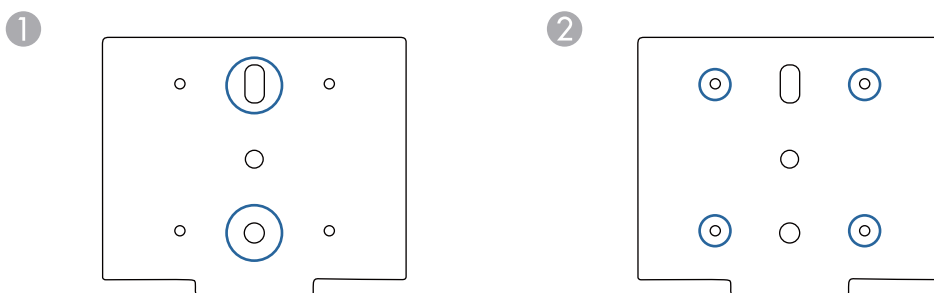
有关安装步骤详情，请参见随投影机安全吊绳套件附送的*使用说明书*。

将投影机安装至安装位置

确定安装位置

检查想要投影图像的位置，然后确定天花板支架/落地支架的安装位置。
 确保考虑要安装天花板支架/落地支架安装位置的结构（强度等）。

■ 装配架孔位置和尺寸



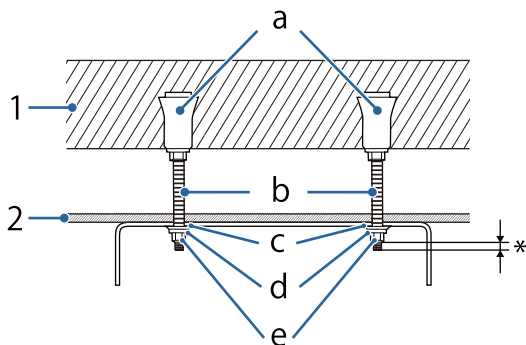
- ① 装配孔锚定螺栓 (M10)
- ② 木螺钉装配孔 (公称直径 5.1)

■ 当安装位置为混凝土表面时

使用两个锚定螺栓将装配架安装在混凝土表面上。请务必事先获取市售的锚定螺栓。

警告

- 提前检验混凝土安装区域能否承受本产品 and 投影机总质量，并确认在受地震等影响时安装区是否会左右移动。若混凝土随时间变脆或变质，请务必使用钢筋等材料对其加固。
- 请务必按照材料制造商指定的标准和方法安装锚定件以防止其损坏、松动或偏斜。
- 安装期间或者完成角度调整之后请务必拧紧所有螺钉。
 在拧紧所有螺钉后，应进一步对螺钉紧固以防止其松动。
- 注意，因安装区域强度不足或其他原因导致本产品掉落引发事故，我公司概不承担任何责任。



- 1: 混凝土
- 2: 天花板表面
- a: 内螺纹型锚定件
- b: 吊环螺栓
- c: 平垫圈
- d: 弹簧垫圈
- e: 六角螺母
- *: 应至少显露出 3 条螺钉凸起线。

但如果延长量大于 9 mm，则可能触碰到装配架。

■ 当安装位置为木质表面时

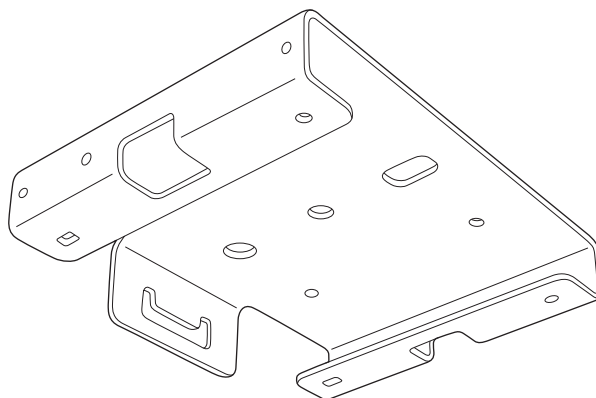
警告

在使用木螺钉进行安装时，请确保基座厚度至少为 20 mm。

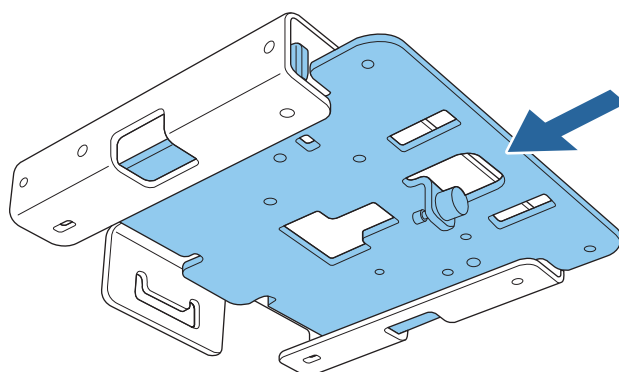
安装天花板装配架/地板支架板

1 在安装位置钻削安装孔。

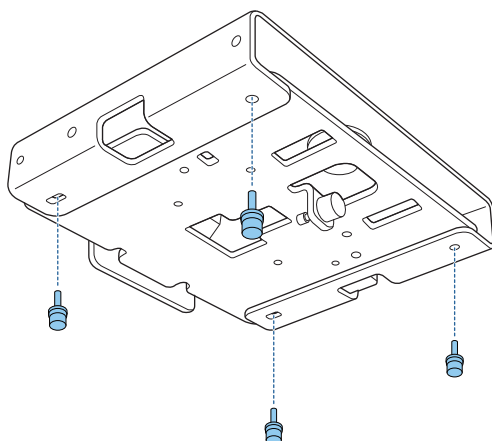
2 将天花板装配架/地板支架板 A 安装于天花板上。
确保获得了要用于安装的市售项目。



3 将天花板装配架/地板支架板 B 插入板 A 中。

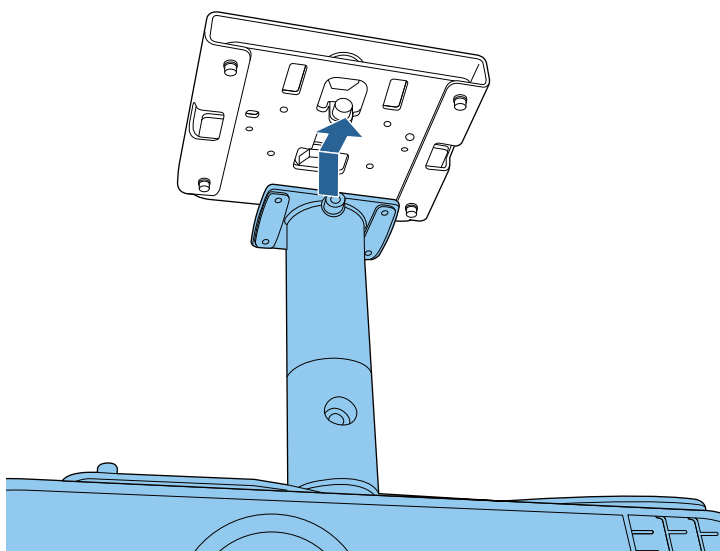


- 4 使用六角扳手（M4 球窝接点）将随附的 M4 x 14 mm 螺钉 (x4) 拧紧，使天花板装配架/地板支架板 B 固定。



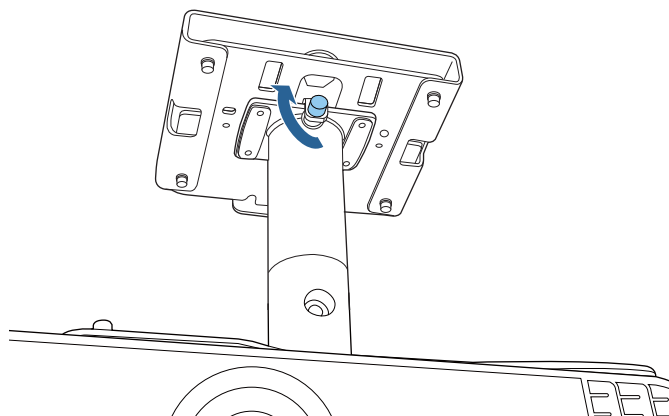
将支臂组件安装至天花板装配架/地板支架板上

- 1 将支臂组件插入天花板装配架/地板支架板 B 预留的间隙内。
将支臂组件滑动至前侧，然后将天花板装配架/地板支架板 B 中的螺钉孔与支臂组件中的螺钉孔对齐。



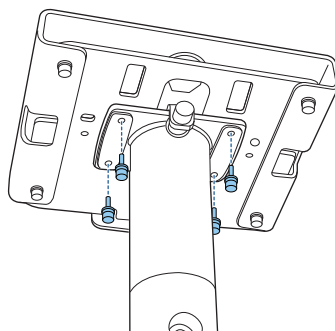
2

将天花板装配架/地板支架板 B 螺钉拧紧使支臂组件暂时固定。



3

使用六角扳手（M4 球窝接点）将随附的 M4 x 14 mm 螺钉 (x4) 拧紧使支臂组件固定。



连接线缆

将必要的线缆连接至投影机的连接端口上。

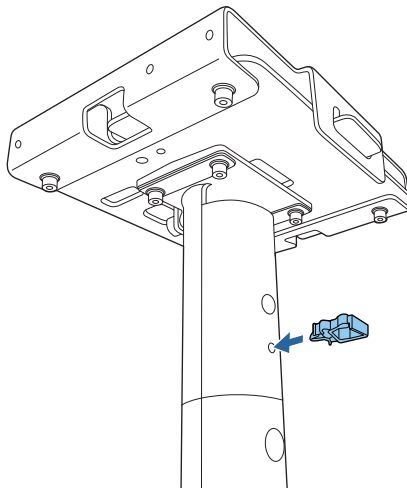
查看投影机的 *使用说明书* 了解有关连接端口的信息。

装上装配架盖

1

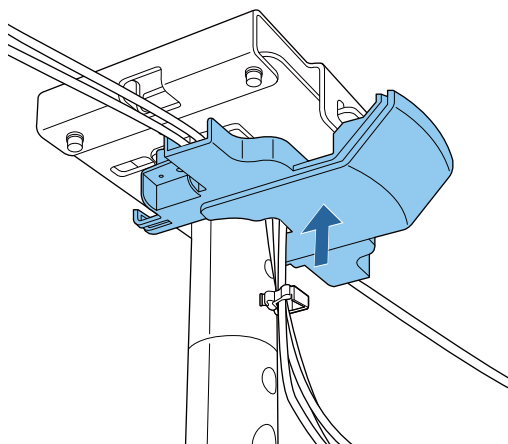
将线夹安装至支臂组件上。

使线夹贯穿并贴合在支臂组件孔口处。



2

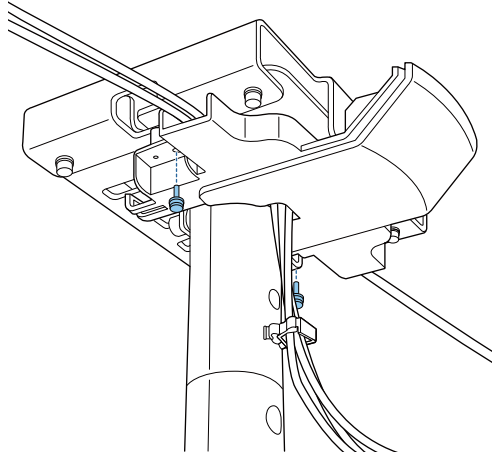
将装配架盖 A 安装于天花板装配架/地板支架板上。



必要时可旋转线缆使其穿过线缆路径或线夹。若线缆较厚或线缆数量较多，可直接连接线缆，不必使其穿过线缆路径或线夹。

3

使用随附的 M4 x 10 mm 螺钉 (x2) 固定装配架盖 A。



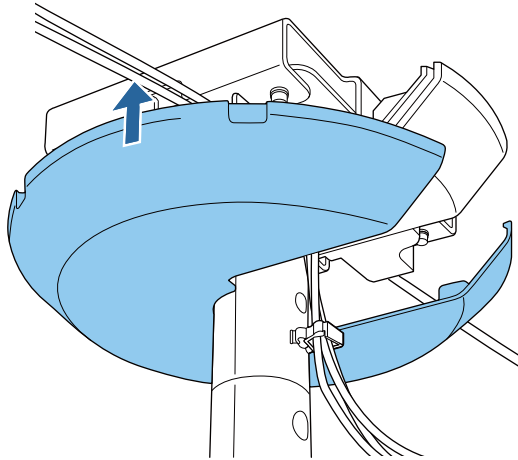
⚠ 注意

确认线缆未被装配架盖夹住。当线缆夹在装配架和装配架盖之间时，拧紧螺钉可能导致线缆断开连接。

4

安装装配架盖 B。

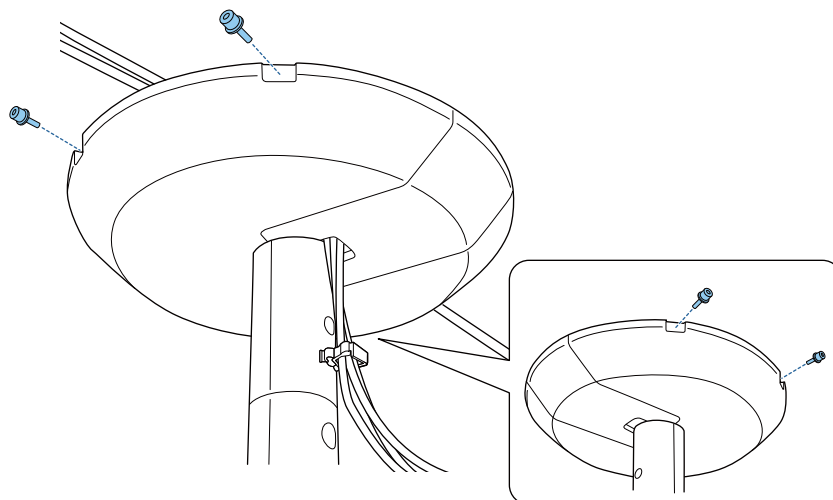
将其吊起并越过装配架盖 A，然后将其暂时固定。



5

使用随附的 M4 x 10 mm 螺钉 (x4) 固定装配架盖 B。

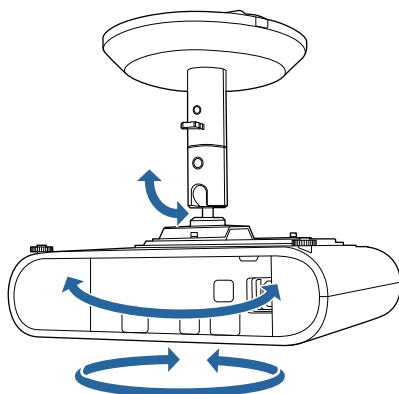
从底部支撑装配架盖 B，与此同时将螺钉孔对齐



调整投影机的方向

您可以利用投影机支撑部分的球窝接头调节投影机的方向和角度。

可调节的角度范围可能不同，具体由您当前使用的机型决定。有关详情，请参阅投影机随附的*使用说明书*。



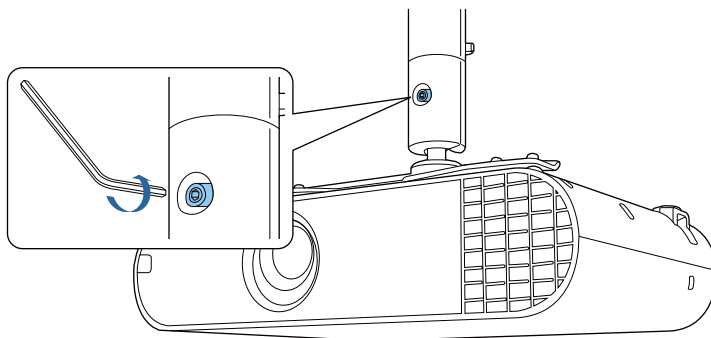
1 按下投影机或遥控器上的电源按钮。

投影机开启。

注意

开启投影机之前，请确认装配架固定牢固。

2 用六角扳手 (M6) 松开支臂组件的球窝接头的螺钉。

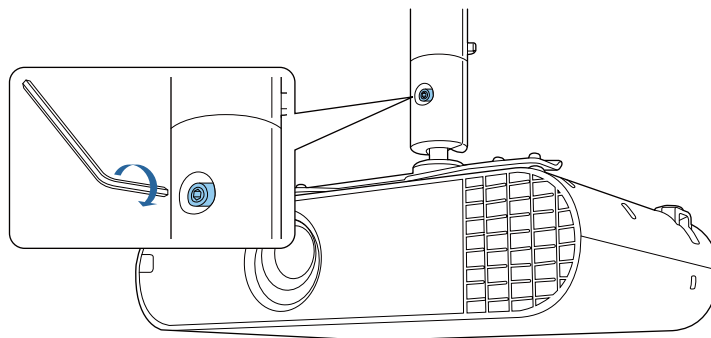


3 调整投影机的方向。

调节方向的同时，请务必从底部支撑投影机。

4

完成调整后，用六角扳手 (M6) 拧紧球窝接头的螺钉。



- 完成调整后，请务必将球窝接头的螺钉完全拧紧。若未完全拧紧，则投影机角度可能发生变化，导致图像位置偏移。
- 调整投影机方向后，调整投影图像的大小和聚焦。有关详情，请参阅投影机随附的*使用说明书*。

规格

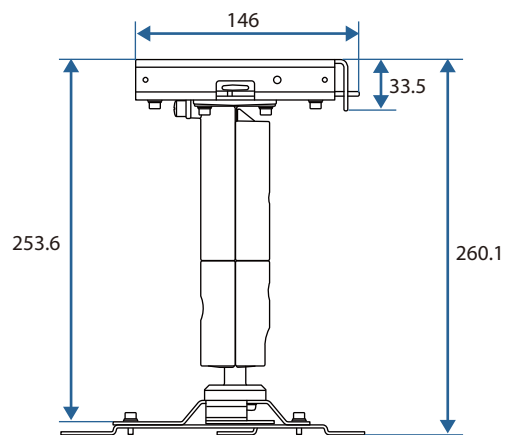
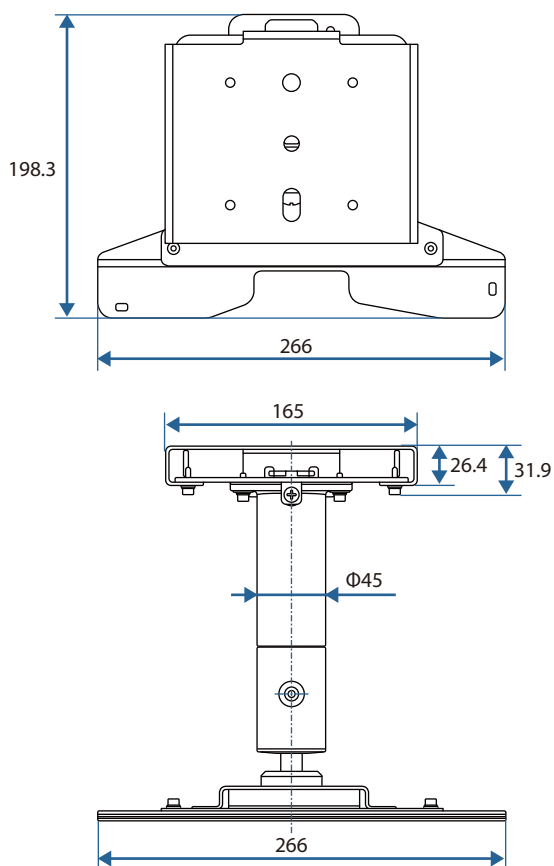
项目	规格
质量（投影机板、支臂组件、天花板装配架/地板支架板 A/B、装配架盖 A/B）	约 2.7 kg
最大负载能力	约 10.0kg



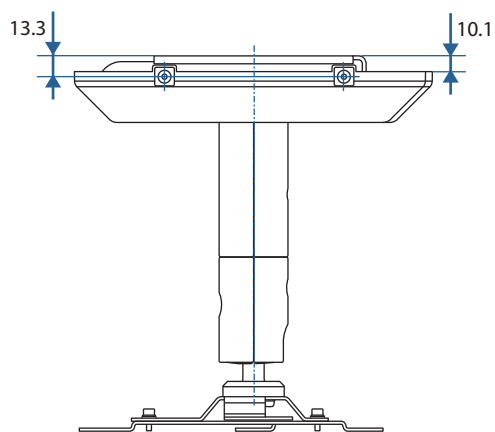
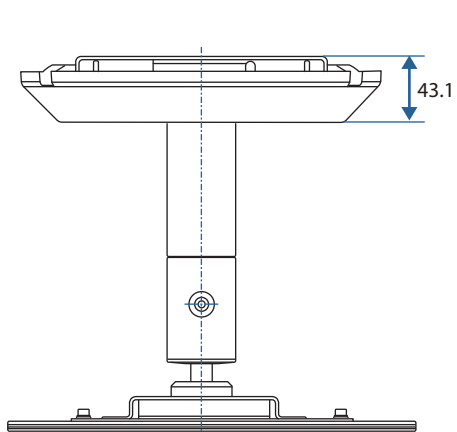
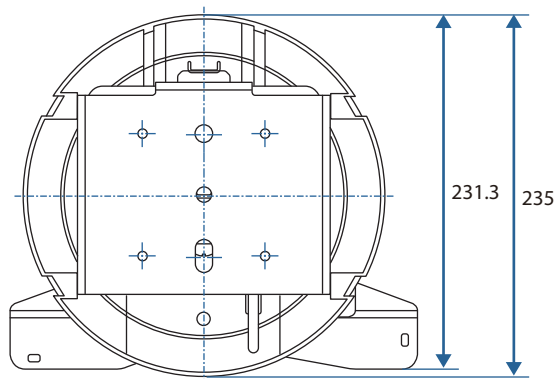
外观

[单位: mm]

不带装配架盖



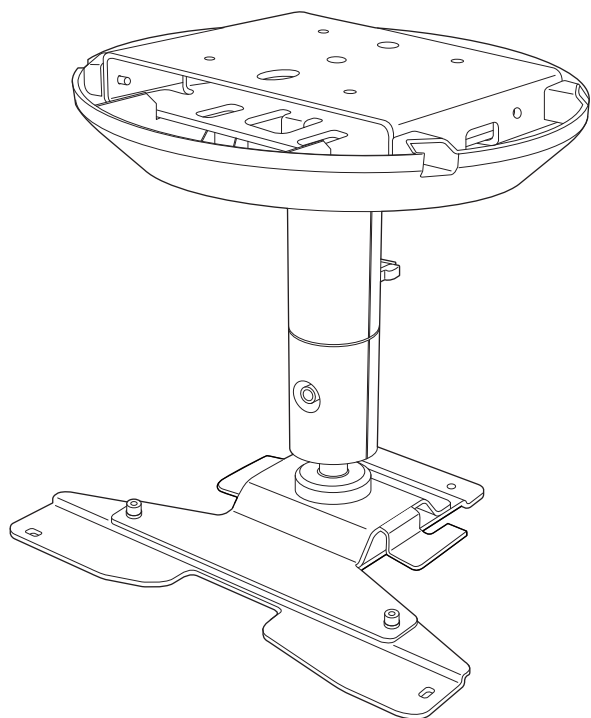
带装配架盖



©SEIKO EPSON CORPORATION 2019. All rights reserved.

ELPMB60

安裝說明書

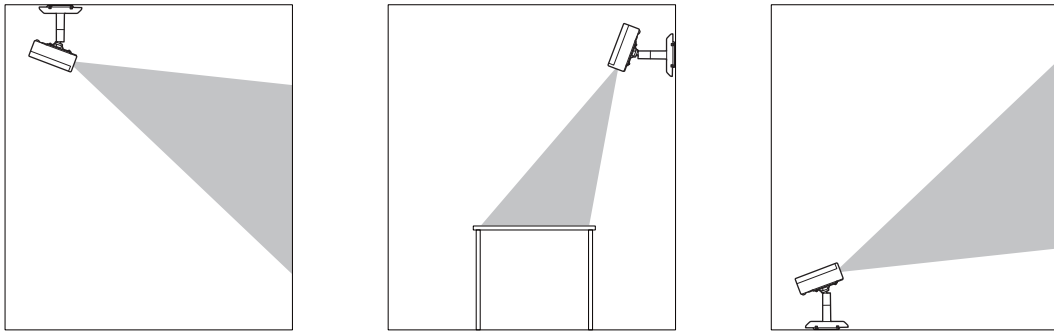


安全使用須知

本說明書說明如何使用隨附的 ELPMB60 天花板吊架/ 落地架將投影機安裝在天花板、牆壁或地板上。請確定您詳閱本說明書後以便安全地使用安裝座和投影機。未按照本說明書的使用須知進行不當處理可能會損傷本產品，而導致人員受傷或財物損失。請將本安裝說明書放在手邊，以備將來參考。有關操控投影機的方式，請閱讀投影機隨附的 *使用說明書* 及 *安全使用須知*，並遵照這些文件中的指示。

安裝類型



本產品可以安裝在天花板、牆壁或地板上。



安全使用須知

說明文件及本產品皆有使用圖形符號，用於指示如何安全使用本產品，以防止客戶與他人受傷和財產受損。

這些使用須知及其含意如下所述。在閱讀本說明書之前，請務必正確理解其含意。

符號	說明
 警告	此符號所標明的資訊若加以輕忽，可能會由於不當處理而導致人員受傷甚至死亡。
 注意	此符號所標明的資訊若加以輕忽，可能會由於不當處理而導致人員受傷或機械損害。














一般資訊指示

符號	說明
	此符號標明嚴禁執行的動作
	此符號標明務必執行的動作
	此符號標明相關或實用的資訊

安裝投影機注意事項

 警告	
<p>僅限由具備必要技能和知識的專業人員安裝投影機。</p> <p>若未正確執行安裝工作，安裝座或投影機可能會掉落或傾倒而造成人員受傷或發生事故。</p>	
<p>執行安裝工作時，請務必遵守本說明書中的指示。</p> <p>若未遵守指示，安裝座或投影機可能會掉落或傾倒而造成人員受傷或發生事故。</p>	
<p>安裝前，請檢查安裝位置的結構與材質強度是否足夠，並採用最佳安裝方式。</p> <p>若未正確執行工作，安裝座或投影機可能會掉落或傾倒而造成人員受傷或發生事故。</p>	
<p>安裝在天花板或牆壁上應至少由兩人執行。此外，請確定您有安全穩固的立足點，以避免安裝座或投影機掉落。</p>	
<p>安裝在天花板、牆壁或架子等高處時，請務必將隨附的安全線路安裝至安裝座和投影機以防止投影機掉落。</p>	
<p>除了與本產品相容的 EPSON 投影機之外，請勿在此安裝座上安裝任何物品。</p> <p>如果安裝與本產品不相容的投影機，安裝座可能會掉落、傾倒或損壞而導致死亡或重傷。</p> <p>關於與本產品相容的投影機，請參閱目錄。</p>	
<p>在安裝時，請確定您於伸手可及處安裝斷路器（含額定電流 10 A 或以下）。</p> <p>若在安裝期間發生任何問題，請立即關閉內部線路。</p>	
<p>請注意下列處理電源線的時機。否則會造成起火或觸電。</p> <ul style="list-style-type: none"> • 手濕時切勿碰觸電源插頭 • 請勿使用受損或修改的電源線 • 請勿對電源線施加重力 • 請勿在安裝期間將電源線卡在安裝座零件等之間 	
<p>請勿在投影機或安裝座周圍纏繞纜線。</p>	
<p>進行接線等工作時，請避開螺絲與螺栓配置纜線。</p> <p>若纜線接觸螺絲或螺栓，會造成起火或發生觸電。</p>	
<p>請確定您在安裝時徹底鎖緊螺絲或螺栓。</p> <p>若未徹底鎖緊，安裝座或投影機可能會掉落或傾倒而造成人員受傷或發生事故。</p>	
<p>安裝或拆卸本產品時，請勿無故鬆開或拆下螺絲。</p>	
<p>固定安裝座時，請勿使用黏著劑防止螺絲鬆脫，且避免使用潤滑劑、潤滑油等。</p> <p>若使用黏著劑防止螺絲鬆脫，或使用潤滑劑、潤滑油等物品，安裝座或投影機外殼可能會破裂並且掉落或傾倒而造成人員受傷或發生事故。</p>	
<p>請勿在安裝座或投影機上吊掛物品，並避免在安裝座或投影機上放置重物。</p> <p>否則安裝座或投影機可能會掉落或傾倒並造成人員死亡或受傷。</p>	
<p>請勿在安裝時對投影機或安裝座施加重力。</p> <p>否則安裝座或投影機可能會受損並造成人員死亡或受傷。</p>	
<p>請勿在下列情形中進行安裝。請聯絡您當地的經銷商或 Epson 客服中心。</p> <ul style="list-style-type: none"> • 若本產品在安裝前或安裝期間掉落或受損 • 若安裝座異常或受損 	

安裝位置上的警告與注意事項

 警告	
檢查將安裝安裝座的表面結構與材質，並採用最佳安裝方式。	
請確定將安裝安裝座的表面夠堅固。	
請勿在可能會發生振動或撞擊的不平穩位置安裝安裝座或投影機。 安裝安裝座的表面可能會受損。此外，安裝座或投影機可能會掉落或傾倒並造成人員受傷或發生事故。	
請勿安裝在強度不足以承受負載或傾斜的位置。 安裝位置的強度必須足以支撐投影機和本產品。安裝前請檢查投影機和本產品的重量，進行容許重量等計算，然後安全地安裝。	
請勿在會接觸雨水或水的位置安裝或使用投影機，如室外、浴室或淋浴間。 否則會造成起火或觸電。	
請勿於存在可燃性或爆炸性氣體的場所使用本投影機。 若投影機內部過熱，可能會起火並造成火災。	
請勿遮擋投影機的進氣口或通風口。 如果任何通風口遭遮擋，投影機內部溫度可能會升高而導致起火。	
 注意	
請勿在非投影機操作溫度範圍內的位置安裝投影機。 將投影機安置於這種場所可能會導致損壞。	
請遠離如空調出風口處安裝。 若空調等空氣直接流向投影機，溫度會上升且投影機可能會無法正確運作。	
請遠離日光燈安裝。 有些日光燈可能會干擾投影機的遙控器。	
請安裝在強光如日光燈和直射陽光不會照射到遙控器的位置。 若強光照射在遙控器上，遙控作業可能會無法正常執行。	
請確定您將投影機安裝在無過多灰塵及無過高濕度的場所，以防止鏡頭或內部元件沾染灰塵而髒污。	
請勿將投影機安裝在灰塵多或濕度高的位置，或有煙霧或蒸汽的位置。 否則會造成起火或發生觸電。投影機的外殼也有可能劣化並損壞，導致投影機從安裝座上掉落。 可能導致投影機因外殼劣化而掉落之環境的例子	
<ul style="list-style-type: none"> • 煙霧或空氣中油粒過多的場所，例如工廠或廚房 • 含有揮發性溶劑或化學品的場所，例如工廠或實驗室 • 投影機可能受清潔劑或化學品影響的場所，例如工廠或廚房 • 經常使用芳香精油的場所，例如休息室 • 接近會產生過多煙霧、空氣中油粒或泡沫的裝置 	

安裝後處理的注意事項



切勿在安裝後放鬆螺絲或螺栓。

請確實定期檢查是否有任何螺絲或螺栓鬆脫，若有鬆脫情形，請徹底鎖緊。若未徹底鎖緊，安裝座或投影機可能會掉落或傾倒而造成人員受傷或發生事故。



請勿對安裝座過度施力或在安裝座上吊掛物品。



除非本說明書中有說明，否則切勿拆解或改造本產品。



請勿使用濕布或酒精、汽油、稀釋劑等溶劑清潔本產品。

水可能會進入投影機或外殼可能會劣化並破裂，導致發生觸電。



安全使用本產品

安全使用須知	1
安裝類型	1
安全使用須知	1
一般資訊指示	1
安裝投影機注意事項	2
安裝位置上的警告與注意事項	3
安裝後處理的注意事項	4

準備投影機

清點配件	6
-------------------	----------

安裝步驟

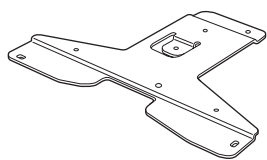
將安裝座安裝至投影機	8
安裝投影機板	8
安裝支臂單元	9
安裝安全線路	11
將投影機安裝至安裝位置	12
決定安裝位置	12
安裝孔位置及尺寸	12
安裝位置是水泥時	12
安裝位置是木頭時	13
安裝天花板吊架/ 落地架板	13
將支臂單元安裝至天花板吊架/ 落地架板	14
連接纜線	16
裝上安裝座外蓋	17
調整投影機的方向	20

附錄

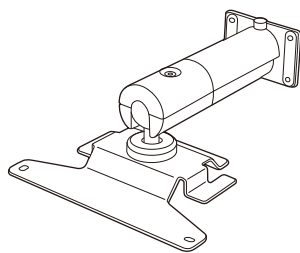
規格	22
製造商及進口商	22
外觀	22

清點配件

在開始使用前，請檢查是否備妥下列配件。



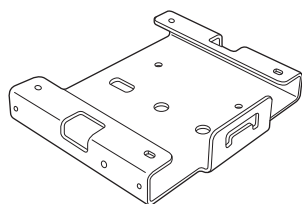
投影機板



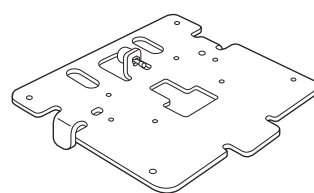
支臂單元



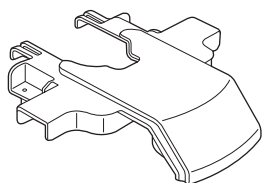
纜線夾



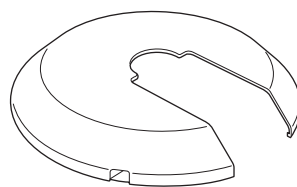
天花板吊架/ 落地架板 A



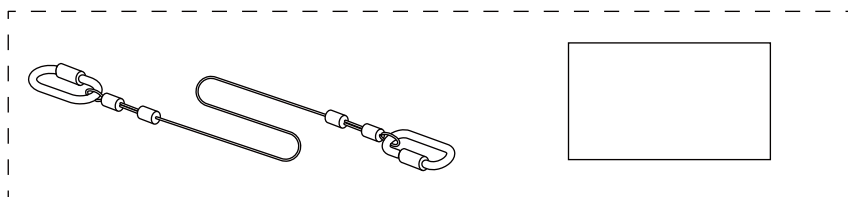
天花板吊架/ 落地架板 B



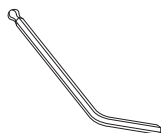
安裝座外蓋 A



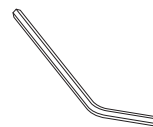
安裝座外蓋 B



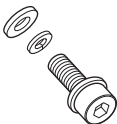
安全線路組 (安全線路 (500 mm) 和使用說明書)



六角扳手 (M4 球點)



六角扳手 (M6)

外形	名稱	數量	應用
	M4 x 14 mm 六角凹頭螺絲 (含墊圈) : 黑色	4	固定天花板吊架/ 落地架板 B。
		4	將支臂單元固定至天花板吊架/ 落地架板。

準備投影機

外形	名稱	數量	應用
	M4 x 10 mm 六角凹頭螺絲（含墊圈）：銀色	4	將投影機板固定至投影機。
		3	將支臂單元固定至投影機板。
		6	固定安裝座外蓋。

將安裝座安裝至投影機

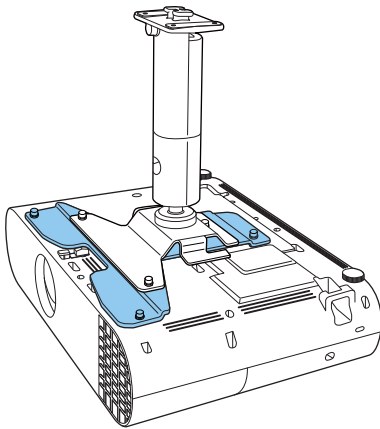
將投影機板和支臂單元安裝至投影機底座。

注意

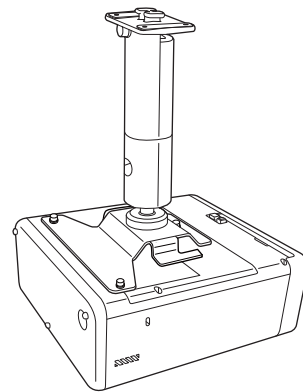
將安裝座安裝至投影機時，請務必使用隨附的螺絲。

安裝投影機板

可能不需要安裝投影機板，視使用的型號而定。請參閱支臂單元安裝程序。



需要投影機板

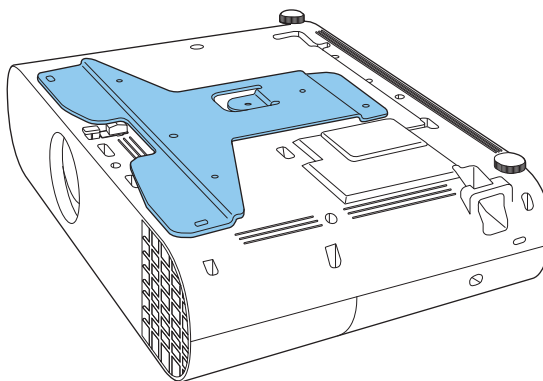


不需要投影機板

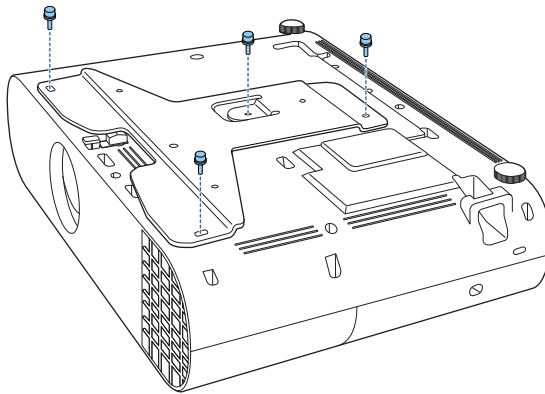
1

將投影機板放在投影機底座上。

將投影機安裝架固定點的螺絲孔對準投影機板上的螺絲孔。

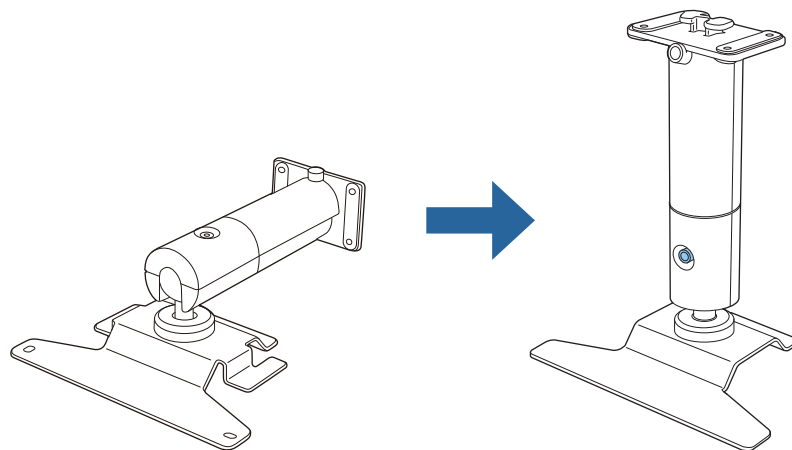


- 2 使用隨附的 M4 x 10 mm 螺絲 (x4) 固定投影機板。

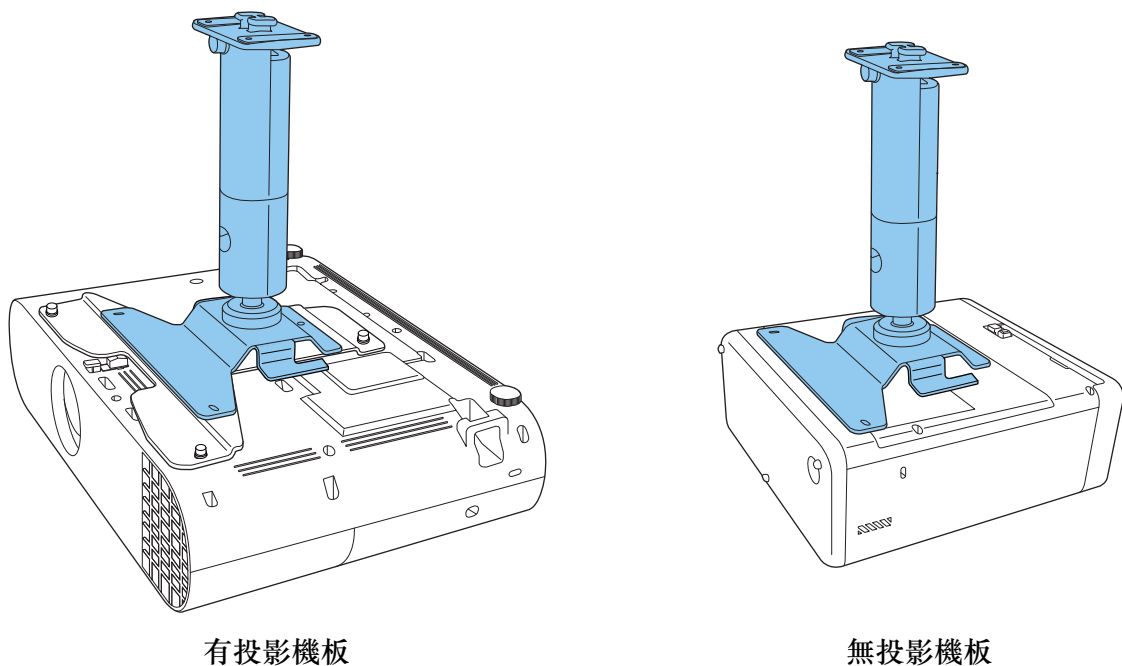


安裝支臂單元

- 1 拉直支臂單元並鎖緊螺絲。



- 2 將支臂單元放在投影機上。
將投影機板上的螺絲孔或投影機上的螺絲孔對準支臂單元上的螺絲孔。

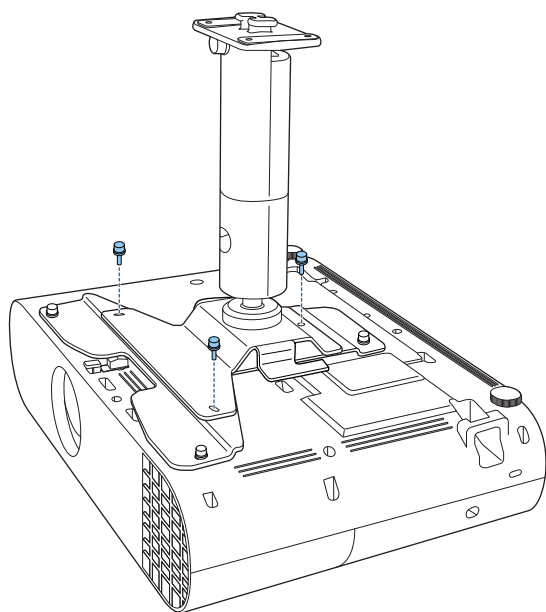


有投影機板

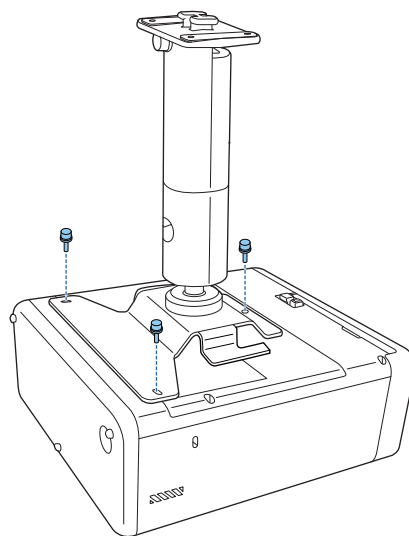
無投影機板

3

使用隨附的 M4 x 10 mm 螺絲 (x3) 將支臂單元固定至投影機。



有投影機板



無投影機板

安裝安全線路

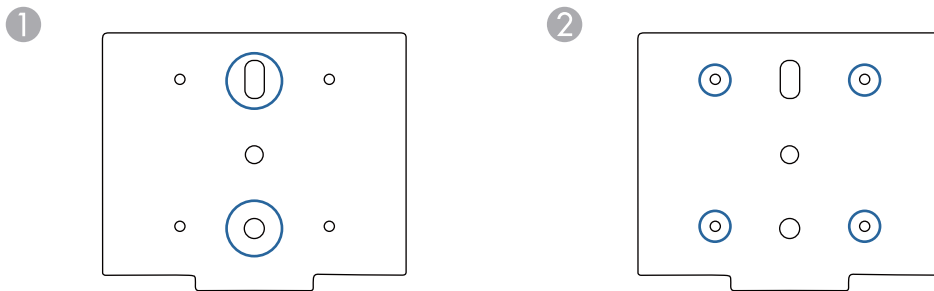
安裝在天花板、牆壁或架子等高處時，安裝支臂單元後，請安裝隨附的安全線路以防止投影機掉落。如需安裝程序的詳細資訊，請參閱安全線路組隨附的*使用說明書*。

將投影機安裝至安裝位置

決定安裝位置

檢查要投射影像的位置，並決定天花板吊架/ 落地架的安裝位置。
 確定您已考量天花板吊架/ 落地架安裝位置的結構（強度等因素）。

安裝孔位置及尺寸



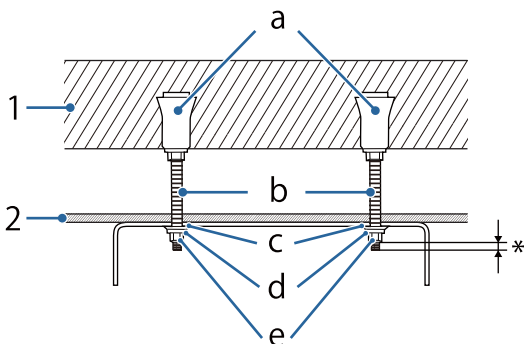
- ① 錨栓安裝孔 (M10)
- ② 木螺絲安裝孔 (標稱直徑 5.1)

安裝位置是水泥時

使用兩支錨栓將安裝座安裝在水泥表面上。請務必購買市售的錨栓。

警告

- 請事先檢查安裝區域的水泥是否能夠承受本產品和投影機的總重量，以及因地震等因素可能發生的任何側向移動。如果水泥很脆弱或已隨時間而劣化，請務必用鋼筋等物體加固。
- 必須依照材料製造商規定的標準和方法安裝錨栓，以確保它們不會斷裂、鬆動或錯位。
- 安裝時或完成角度調整後，請務必鎖緊所有螺絲。
鎖緊螺絲後，請進一步鎖緊以確保螺絲絕對不會鬆動。
- 請注意，如果本產品因安裝區域強度不足等因素而掉落導致任何事故，本公司概不負責。



- 1: 水泥
- 2: 天花板表面
- a: 母螺紋型錨栓
- b: 環首螺栓
- c: 平墊圈
- d: 彈簧墊圈
- e: 六角螺帽
- *: 至少應可看到 3 個螺絲脊部。
但請勿超過 9 mm，否則會觸及安裝座。

■ 安裝位置是木頭時

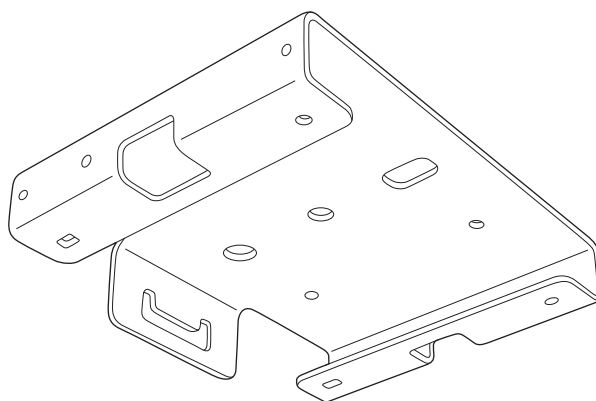
警告

使用木螺絲安裝時，請確定底座厚度至少為 20 mm。

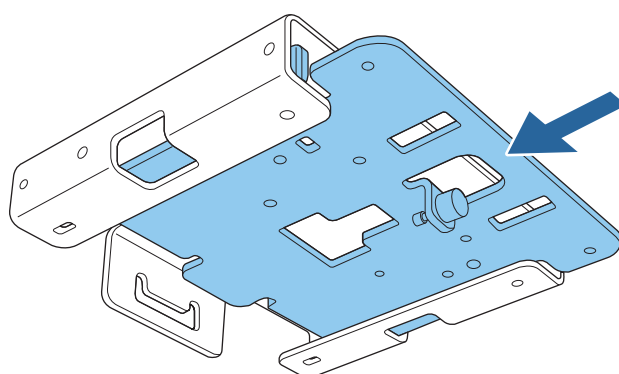
安裝天花板吊架/ 落地架板

1 在安裝位置鑽出安裝孔。

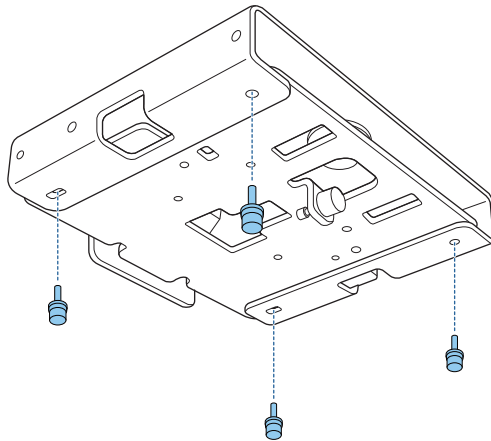
2 將天花板吊架/ 落地架板 A 安裝至天花板。
請確定您已購得市售安裝用品。



3 將天花板吊架/ 落地架板 B 插入板 A。

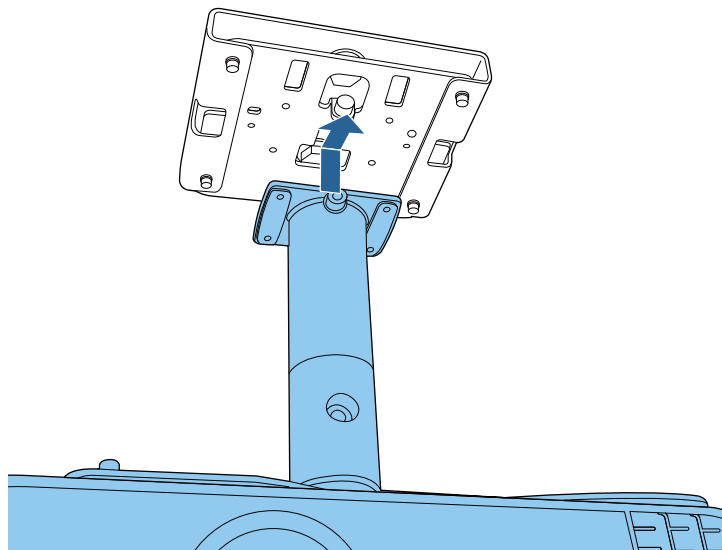


- 4 用六角扳手（M4 球點）鎖緊隨附的 M4 x 14 mm 螺絲 (x4)，然後固定天花板吊架/ 落地架板 B。



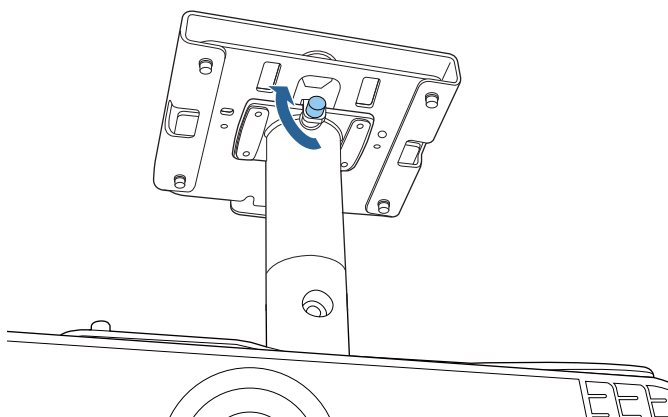
將支臂單元安裝至天花板吊架/ 落地架板

- 1 將支臂單元插入天花板吊架/ 落地架板 B 提供的空隙中。
滑到前方，將天花板吊架/ 落地架板 B 的螺絲孔對準支臂單元的螺絲孔。



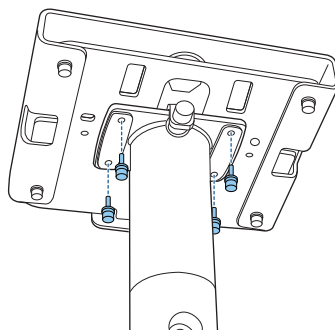
2

鎖緊天花板吊架/ 落地架板 B 的螺絲以暫時固定支臂單元。



3

用六角扳手（M4 球點）鎖緊隨附的 M4 x 14 mm 螺絲 (x4) 以固定支臂單元。



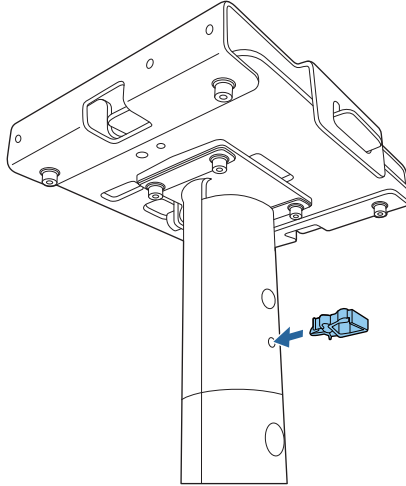
連接纜線

將必要的纜線連接至投影機的連接埠。

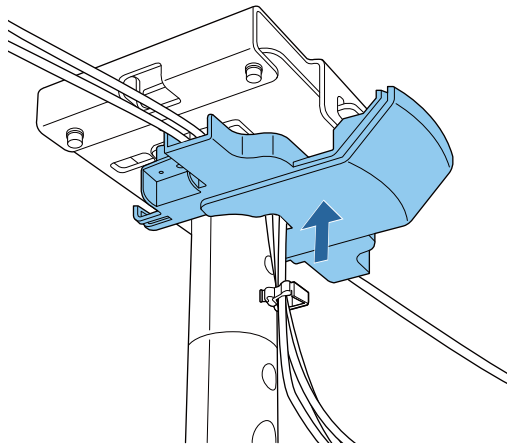
如需連接埠的相關資訊，請參閱投影機的*使用說明書*。

裝上安裝座外蓋

- 1 將纜線夾安裝至支臂單元。
插入纜線夾以穿過支臂單元的孔。



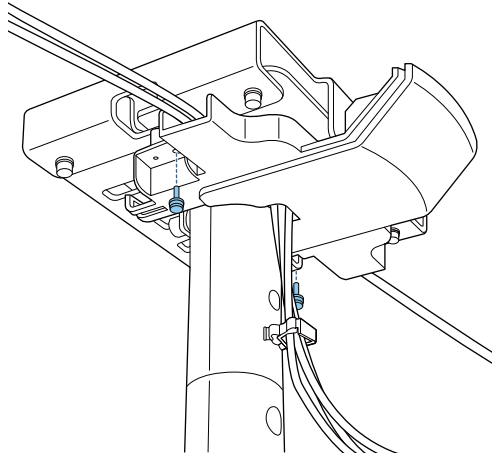
- 2 將安裝座外蓋 A 安裝至天花板吊架/ 落地架板。



請視需要將纜線穿過佈線路徑或纜線夾。如果纜線較粗或有很多纜線，請直接連接，勿穿過佈線路徑或纜線夾。

3

使用隨附的 M4 x 10 mm 螺絲 (x2) 固定安裝座外蓋 A。



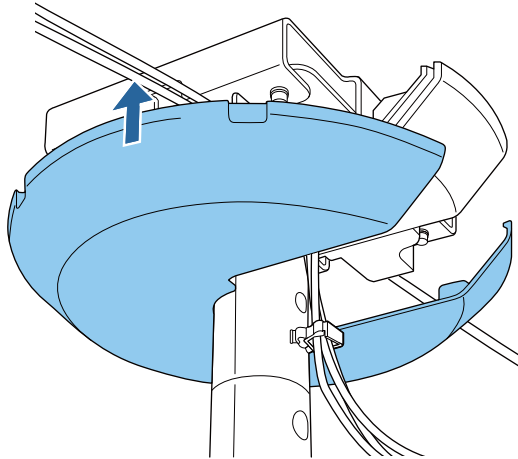
 注意

請確定纜線不會被安裝座外蓋夾住。如果在纜線夾在外蓋與安裝座之間的情況下鎖緊螺絲，纜線可能會中斷連接。

4

安裝安裝座外蓋 B。

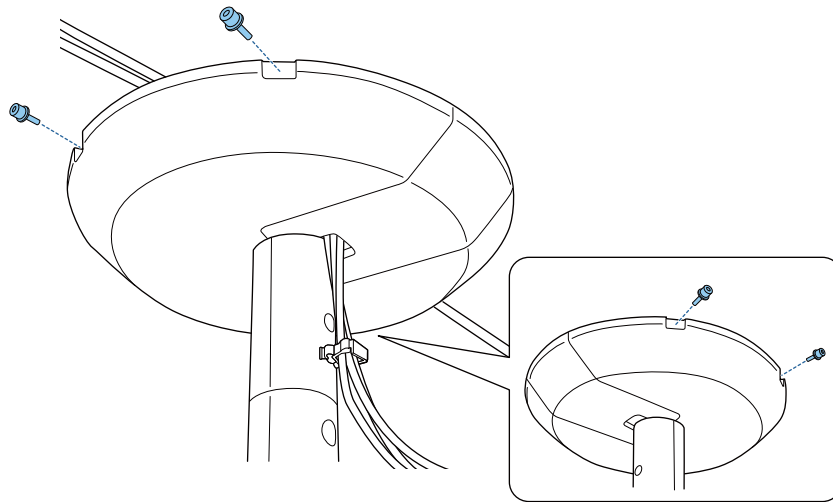
將它勾在安裝座外蓋 A 上並暫時固定。



5

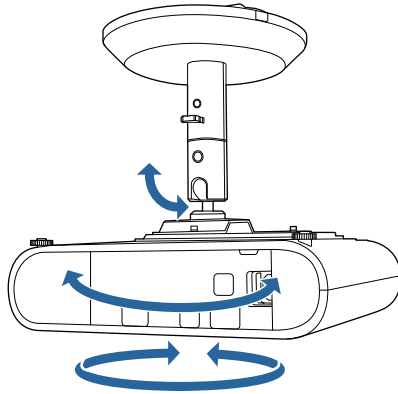
使用隨附的 M4 x 10 mm 螺絲 (x4) 固定安裝座外蓋 B。

從下方支撐安裝座外蓋 B，同時對準螺絲孔。



調整投影機的方向

您可以使用投影機支撐部位上的球接頭調整投影機的方向和角度。
角度範圍因使用的型號而異。如需詳細資訊，請參閱投影機隨附的*使用說明書*。

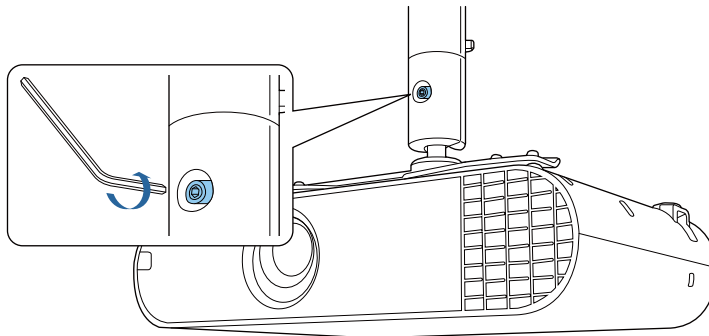


- 1 按投影機或遙控器上的電源按鈕。
投影機隨即開啟。

注意

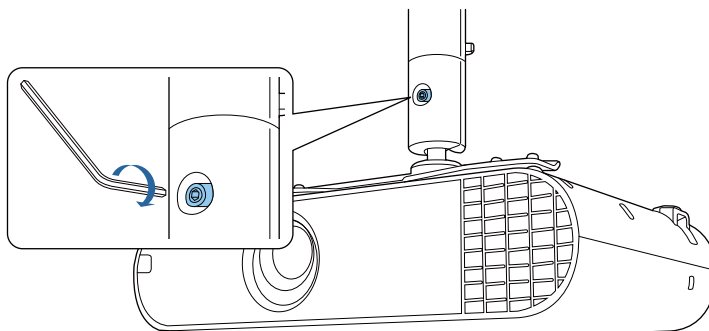
開啟投影機前，請確定安裝座已牢牢固定。

- 2 使用六角扳手 (M6) 鬆開支臂單元球接頭的螺絲。



- 3 調整投影機的方向。
調整方向時，請務必從下方支撐投影機。

- 4 完成調整後，請用六角扳手 (M6) 確實鎖緊球接頭部位的螺絲。





- 進行調整後，請務必將球接頭的螺絲完全鎖緊。若未完全鎖緊，投影機的角度會改變，導致影像位置移動。
- 調整投影機的方向後，請調整投影的大小和焦距。如需詳細資訊，請參閱投影機隨附的*使用說明書*。

規格

項目	規格
重量 (投影機板、支臂單元、天花板吊架/ 落地架板 A/B、安裝座外蓋 A/B)	約2.7公斤
最大負載量	約 10.0 公斤

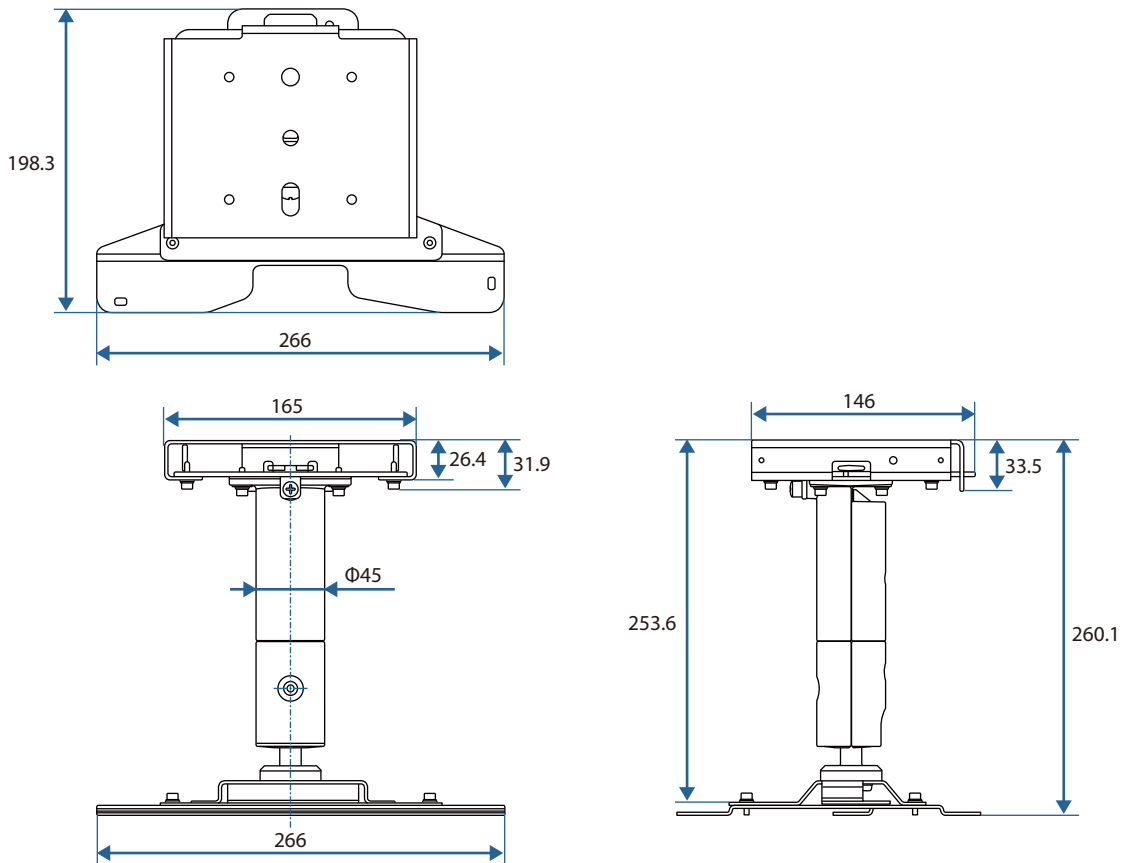
製造商及進口商

製造商： SEIKO EPSON CORPORATION
 地址： 3-5, Owa 3-chome, Suwa-shi, Nagano-ken 392-8502 Japan
 電話： 81-266-52-3131
 進口商： 台灣愛普生科技股份有限公司
 地址： 台北市信義區松仁路100號15樓
 電話： (02)8786-6688

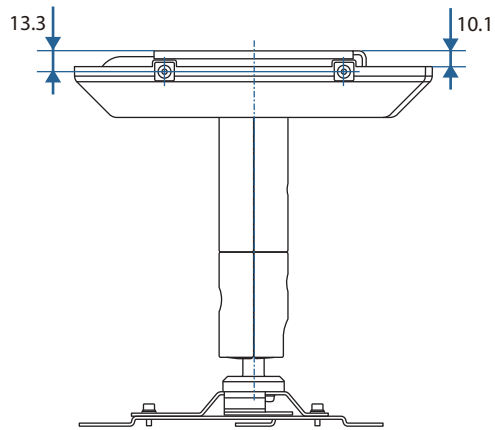
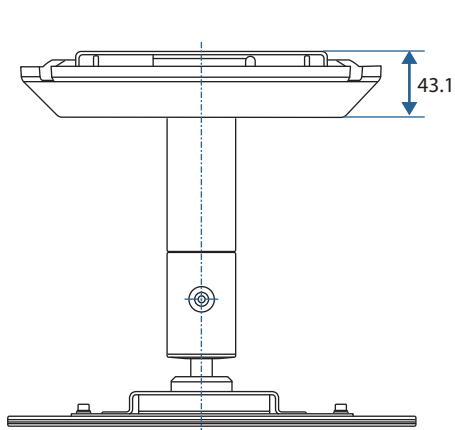
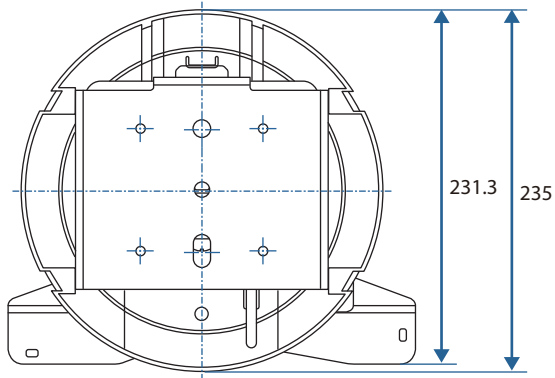
外觀

[單位：公釐]

無安裝座外蓋



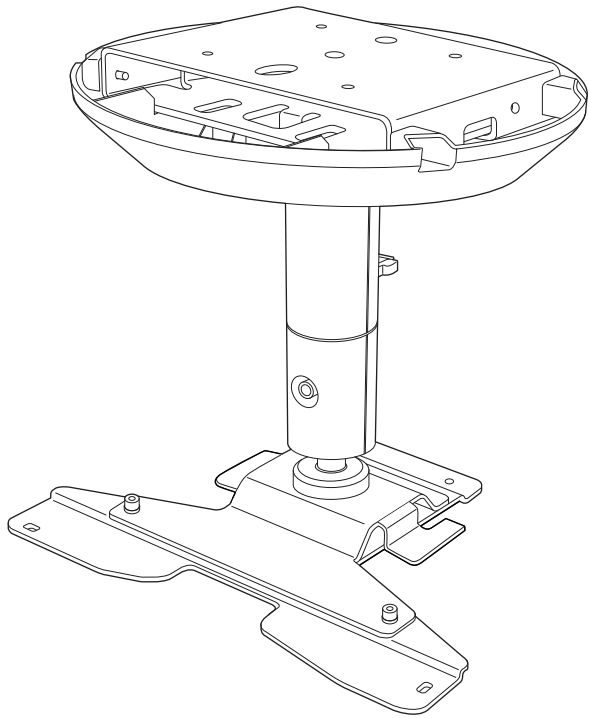
已裝上安裝座外蓋



©SEIKO EPSON CORPORATION 2019. All rights reserved.

ELPMB60

설치 가이드



안전 지침

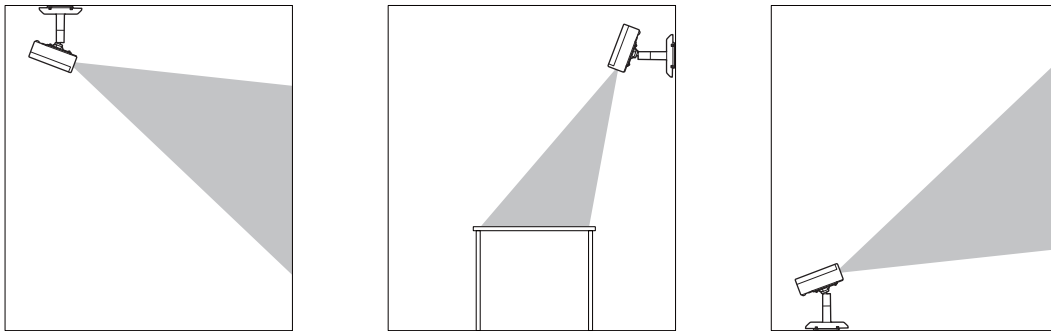
이 가이드에서는 제공된 ELPMB60 천장 마운트/플로어 스탠드를 사용하여 프로젝터를 천장, 벽 또는 플로어에 설치하는 방법을 설명합니다.

설치 마운트와 프로젝터를 안전하게 사용하기 위해 이 가이드를 주의해서 읽으십시오. 이 설명서의 지침을 무시하고 잘못 취급할 경우 제품이 손상되거나 사용자가 부상을 입거나 재산상 손해가 발생할 수 있습니다. 나중에 참조할 수 있도록 이 설치 설명서를 가까운 곳에 보관하십시오.

프로젝터를 취급하는 방법에 관해서는 사용 중인 프로젝터와 함께 제공된 *사용자 가이드*와 *안전 지침*을 읽고 이러한 문서들의 지침을 따르십시오.

설치 유형



이 제품은 천장, 벽 또는 플로어에 설치할 수 있습니다.






안전 표시

본 문서와 제품은 고객과 다른 사람의 부상 및 제품의 손상을 방지하기 위해 그래픽 기호를 사용하여 이 제품을 안전하고 올바르게 사용하는 방법을 표시합니다.













안전 표시와 의미는 다음과 같습니다. 설명서를 읽기 전에 이를 올바르게 이해해야 합니다.





기호	설명
 경고	이 기호는 무시할 경우 잘못된 취급으로 인해 부상을 입거나 사망할 수도 있음을 나타냅니다.
 주의	이 기호는 무시할 경우 잘못된 취급으로 인해 부상을 입거나 신체적 손상이 발생할 수도 있음을 나타냅니다.

일반 정보 표시









기호	설명
	해서는 안 될 작업을 표시하는 기호
	해야 할 작업을 표시하는 기호
	관련되거나 유용한 정보를 표시하는 기호





프로젝터 설치 시 주의 사항





 경고	
<p>프로젝터를 설치할 때는 필요한 기술과 노하우를 갖춘 전문가만 설치해야 합니다.</p> <p>설치 작업을 올바로 수행하지 않은 경우 마운트 또는 프로젝트가 떨어지거나 쓰러져 부상 또는 사고가 발생할 수 있습니다.</p>	
<p>설치 작업을 수행할 때 이 가이드의 지침을 따르십시오.</p> <p>지침을 따르지 않을 경우 마운트 또는 프로젝트가 떨어지거나 쓰러져 부상 또는 사고가 발생할 수 있습니다.</p>	
<p>설치할 위치의 표면 구조 및 재질이 충분히 튼튼한지 확인하고 최적의 설치 방법을 사용하십시오.</p> <p>작업을 올바로 수행하지 않은 경우 마운트 또는 프로젝트가 떨어지거나 쓰러져 부상 또는 사고가 발생할 수 있습니다.</p>	
<p>천장 또는 벽에 설치할 경우 두 명 이상이 함께 설치해야 합니다. 또한 마운트 또는 프로젝터를 떨어뜨리지 않도록 발판이 안정적이고 고정되어 있는지 확인하십시오.</p>	
<p>천장, 벽 또는 선반과 같이 높은 곳에 설치할 경우, 프로젝트가 떨어지는 것을 방지하기 위해 제공된 안전 와이어를 마운트와 프로젝트에 부착하십시오.</p>	
<p>이 제품과 호환되는 EPSON 프로젝터를 제외하고 어떠한 것도 이 마운트에 부착하지 마십시오.</p> <p>이 제품과 호환되지 않는 프로젝터를 부착할 경우, 마운트가 떨어지거나 쓰러지거나 손상되면서 사망하거나 중상을 입을 수 있습니다.</p> <p>카탈로그에서 이 제품과 호환되는 프로젝터를 확인하십시오.</p>	
<p>설치 시 손이 닿는 위치에 차단기(10 A 이하의 정격 전류)를 설치하십시오.</p> <p>설치 시 문제가 발생하면 즉시 내부 배선을 끄십시오.</p>	
<p>전원 케이블 취급 시 다음에 주의하십시오. 그러지 않은 경우 화재 또는 감전이 발생할 수 있습니다.</p> <ul style="list-style-type: none"> ● 젖은 손으로 플러그를 취급하지 마십시오 ● 손상되거나 개조한 전원 케이블을 사용하지 마십시오 ● 전원 케이블에 과도한 힘을 가하지 마십시오 ● 설치 시 케이블이 마운트 등의 부품들 간에 끼이지 않도록 하십시오 	
<p>케이블을 프로젝트 또는 마운트 둘레로 감지 마십시오.</p>	
<p>케이블 등을 배선할 때 나사와 볼트를 피해 배선하십시오.</p> <p>케이블이 나사 또는 볼트와 접촉할 경우 화재 또는 감전이 발생할 수 있습니다.</p>	
<p>설치 시 나사 또는 볼트를 완전히 조이십시오.</p> <p>나사 또는 볼트를 완전히 조이지 않을 경우 마운트 또는 프로젝트가 떨어지거나 쓰러져 부상 또는 사고가 발생할 수 있습니다.</p>	
<p>이 제품을 설치하거나 제거하는 동안 어떠한 이유로도 나사를 풀거나 제거하십시오.</p>	
<p>마운트 고정 시 나사가 풀리지 않도록 접착제를 사용하지 말고, 윤활제, 오일 등을 사용하지 마십시오.</p> <p>나사가 풀리지 않도록 접착제를 사용하거나, 윤활제 또는 오일과 같은 물질을 사용할 경우 마운트 또는 프로젝트 케이스가 깨지면서 떨어지거나 쓰러져 부상을 입거나 사고가 발생할 수 있습니다.</p>	

 경고	
<p>무거운 물건을 마운트 또는 프로젝터에 매달거나 올려놓지 마십시오.</p> <p>그러지 않을 경우 마운트 또는 프로젝터가 떨어지거나 쓰러져 사망하거나 부상을 입을 수 있습니다.</p>	
<p>설치 시 프로젝터 또는 마운트에 과도한 힘을 가하지 마십시오.</p> <p>그러지 않을 경우 마운트 또는 프로젝터가 손상되거나, 사람이 사망하거나 부상을 입을 수 있습니다.</p>	
<p>다음과 같은 경우에는 설치하지 마십시오. 가까운 대리점 또는 Epson 서비스 콜 센터에 연락하십시오.</p> <ul style="list-style-type: none"> • 설치 전 또는 설치 중 제품이 떨어지거나 손상된 경우 • 마운트에 이상이 있거나 손상된 경우 	






설치 위치 상의 경고 및 주의

 경고	
<p>마운트를 설치할 표면의 구조와 재질을 확인하고 최적의 설치 방법을 사용하십시오.</p>	
<p>마운트를 설치할 표면은 충분히 튼튼해야 합니다.</p>	
<p>마운트 또는 프로젝터는 진동 또는 충격을 받을 수 있는 불안정한 곳에 설치하지 마십시오.</p> <p>마운트가 부착되는 표면은 손상될 수 있습니다. 또한 마운트 또는 프로젝터가 떨어지거나 쓰러져 부상을 입거나 사고가 발생할 수 있습니다.</p>	
<p>하중을 지탱할 만큼 충분히 튼튼하지 않거나 경사진 곳에 설치하지 마십시오.</p> <p>설치 장소는 프로젝터와 이 제품을 지탱할 만큼 충분히 튼튼해야 합니다. 설치하기 전에 프로젝터와 이 제품의 무게를 확인하고, 허용 가능한 무게를 계산한 후 이들을 안전하게 설치하십시오.</p>	
<p>프로젝터를 옥외, 옥조 또는 샤워실과 같이 비 또는 물에 노출될 수 있는 곳에 설치하거나 사용하지 마십시오.</p> <p>그러지 않은 경우 화재 또는 감전이 발생할 수 있습니다.</p>	
<p>가연성 기체 또는 폭발성 기체가 발생할 수 있는 장소에서 프로젝터를 사용하지 마십시오.</p> <p>프로젝터의 내부가 과열되면 프로젝터가 점화되면서 화재가 발생할 수 있습니다.</p>	
<p>프로젝터의 흡기구 또는 배기구를 가리지 마십시오.</p> <p>흡기구 또는 배기구 중 하나라도 가리면, 프로젝터의 내부 온도가 올라 화재가 발생할 수 있습니다.</p>	

 주의	
<p>프로젝터의 작동 온도 범위를 벗어난 곳에 프로젝터를 설치하지 마십시오.</p> <p>이러한 환경에 설치할 경우 프로젝터가 손상될 수 있습니다.</p>	
<p>프로젝터는 에어컨과 같은 배기구와 떨어진 곳에 설치하십시오.</p> <p>에어컨 등에서 배출되는 공기가 직접 프로젝터 위로 흘러 온도가 올라 프로젝터가 올바르게 작동하지 않을 수 있습니다.</p>	
<p>프로젝터는 형광등과 떨어진 곳에 설치하십시오.</p> <p>일부 형광등은 프로젝터의 리모컨을 간섭할 수 있습니다.</p>	

 주의	
<p>프로젝터는 형광등이나 직사 광선과 같이 강렬한 빛이 원격 수신기를 비추지 않은 곳에 설치하십시오.</p> <p>강렬한 광선이 원격 수신기를 비추면 리모컨이 올바르게 작동하지 않을 수 있습니다.</p>	
<p>프로젝터는 렌즈 또는 내부 부품이 오염되지 않도록 하려면 먼지 및 습기가 과도하지 않은 곳에 설치하십시오.</p>	
<p>먼지가 많거나 습도가 높아질 수 있는 곳 또는 연기나 증기가 발생할 수 있는 곳에는 프로젝터를 설치하지 마십시오.</p> <p>그러지 않을 경우 화재 또는 감전이 발생할 수 있습니다. 또한 프로젝터 케이스 기능이 저하되어 프로젝터가 마운트에서 떨어질 수 있습니다.</p> <p>케이스 기능 저하로 인해 프로젝터가 떨어질 수 있는 환경의 예</p> <ul style="list-style-type: none"> • 공장 또는 주방과 같이, 연기 또는 공기 중 오일 입자가 과다할 수 있는 곳 • 공장 또는 실험실과 같이, 휘발성 솔벤트 또는 화학물질이 존재하는 곳 • 공장 또는 주방과 같이, 프로젝터가 세제 또는 화학물질에 노출될 수 있는 곳 • 휴게실과 같이, 종종 아로마 오일이 사용되는 곳 • 때때로 과도한 연기, 공기 중 오일 입자 또는 거품을 생성하는 장치 근처 	

설치 후 취급 시 주의 사항

 경고	
<p>설치 후 볼트 또는 볼트를 절대 풀지 마십시오.</p> <p>주기적으로 나사 또는 볼트가 풀렸는지 확인하고, 풀린 나사 또는 볼트가 있는 경우 이들을 완전히 조이십시오. 나사 또는 볼트를 완전히 조이지 않을 경우 마운트 또는 프로젝터가 떨어지거나 쓰러져 부상 또는 사고가 발생할 수 있습니다.</p>	
<p>마운트에 과도한 힘을 가하거나 마운트에 매달리지 마십시오.</p>	
<p>이 가이드에 지시된 내용을 제외하고 이 제품을 분해하거나 개조하지 마십시오.</p>	
<p>이 제품을 청소할 때 젖은 천이나, 알코올, 벤진 또는 시너와 같은 솔벤트를 사용하지 마십시오.</p> <p>물이 프로젝터 또는 케이스 안으로 들어가면 기능이 저하되거나 균열이 생겨 감전을 초래할 수 있습니다.</p>	

제품을 안전하게 사용하는 방법

안전 지침	1
설치 유형	1
안전 표시	1
일반 정보 표시	1
프로젝터 설치 시 주의 사항	2
설치 위치 상의 경고 및 주의	3
설치 후 취급 시 주의 사항	4

프로젝터 준비하기

패키지 내용물	6
----------------------	----------

설치 절차

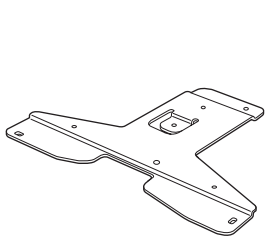
프로젝터에 마운트 부착하기	8
프로젝터 플레이트 부착하기	8
암 유닛 부착하기	9
안전 와이어 설치하기	11
설치 장소에 프로젝터 부착하기	12
설치 위치 결정하기	12
장착 구멍 위치 및 치수	12
장착 위치가 콘크리트인 경우	12
장착 위치가 목재인 경우	13
천장 마운트/플로어 스탠드 플레이트 부착하기	13
천장 마운트/플로어 스탠드 플레이트에 암 유닛 고정하기	15
케이블 연결하기	16
마운트 커버 부착하기	17
프로젝터의 방향 조정하기	20

부록

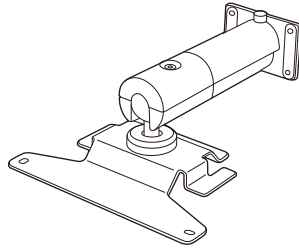
사양	22
외양	22

패키지 내용물

작업을 시작하기 전에 다음 부속품이 모두 있는지 확인하십시오.



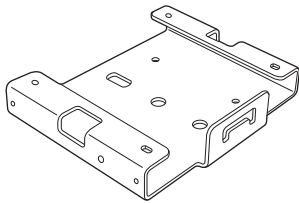
프로젝터 플레이트



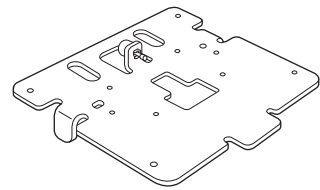
암 유닛



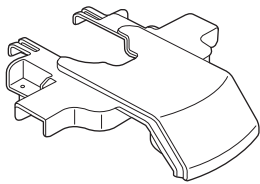
케이블 클램프



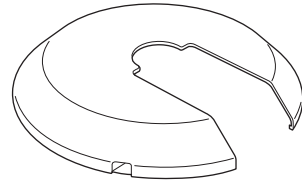
천장 마운트/플로어 스탠드 플레이트 A



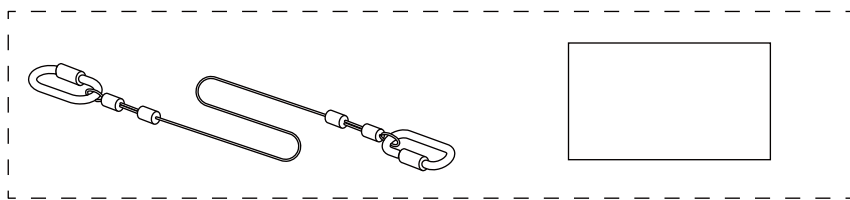
천장 마운트/플로어 스탠드 플레이트 B



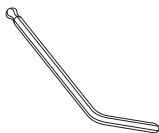
마운트 커버 A



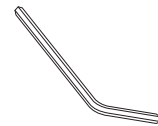
마운트 커버 B



안전 와이어 세트(안전 와이어(500 mm) 및 사용자 가이드)



육각 렌치(M4 볼 포인트)



육각 렌치(M6)

형태	이름	수량	용도
	M4 x 14 mm 육각 접시머리 나사(와셔 포함): 검정	4	천장 마운트/플로어 스탠드 플레이트 B를 고정합니다.
		4	암 유닛을 천장 마운트/플로어 스탠드 플레이트에 고정합니다.

형태	이름	수량	용도
	M4 x 10 mm 육각 접시머리 나사(와셔 포함): 은색	4	프로젝터 플레이트를 프로젝터에 고정합니다.
		3	암 유닛을 프로젝터 플레이트에 고정합니다.
		6	마운트 커버를 고정합니다.

프로젝터에 마운트 부착하기

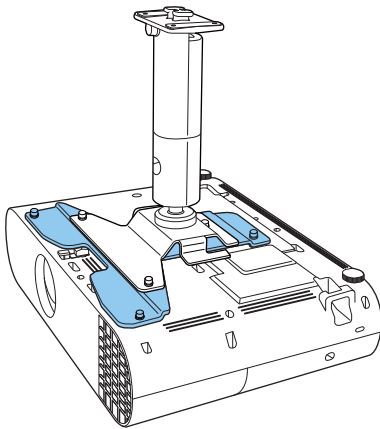
프로젝터 플레이트와 암 유닛을 프로젝트의 베이스에 부착하십시오.

주의

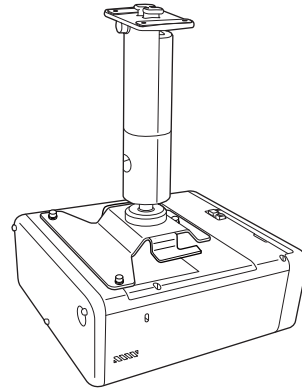
마운트를 프로젝트에 부착할 때는 제공된 나사를 사용해야 합니다.

프로젝터 플레이트 부착하기

사용 중인 모델에 따라 프로젝트 플레이트를 부착하지 않아도 됩니다. 암 유닛 설치 절차로 이동하십시오.



프로젝터 플레이트가 필요한 경우

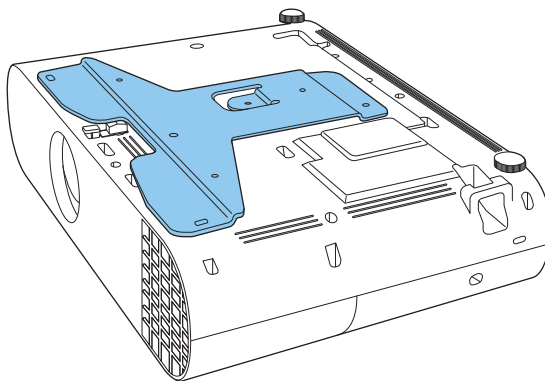


프로젝터 플레이트가 필요없는 경우

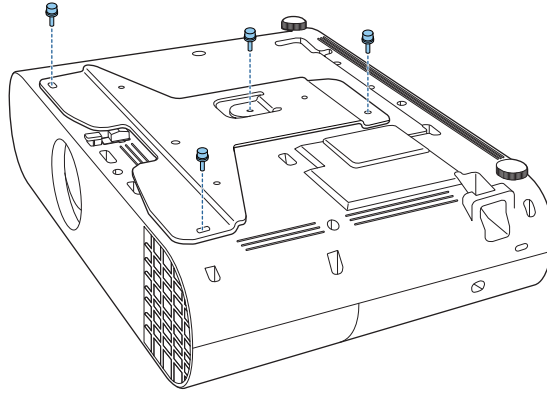
1

프로젝터 플레이트를 프로젝트의 베이스에 올려놓습니다.

프로젝터의 마운트 고정점 나사 구멍을 프로젝트 플레이트의 나사 구멍에 맞춰 정렬합니다.

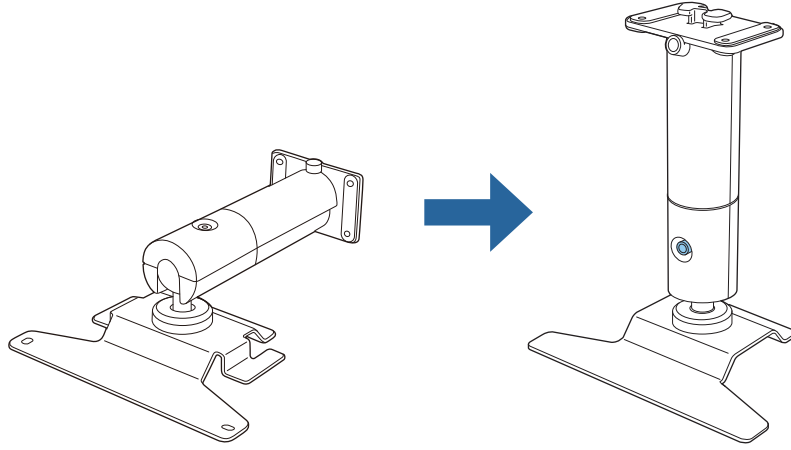


2 제공된 M4 x 10 mm 나사(4개)를 사용하여 프로젝터 플레이트를 고정합니다.



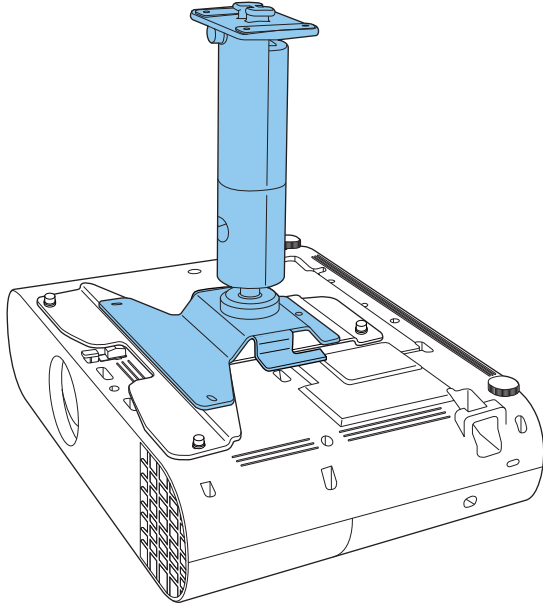
암 유닛 부착하기

1 암 유닛을 똑바로 펴고 나사를 조입니다.

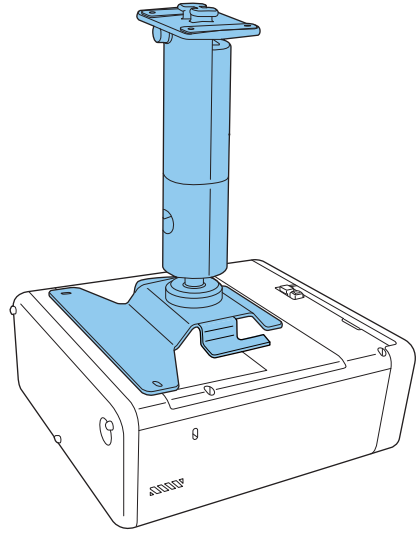


2 암 유닛을 프로젝터에 올려놓습니다.

프로젝터 플레이트 또는 프로젝터의 나사 구멍을 암 유닛의 나사 구멍에 맞춰 정렬합니다.

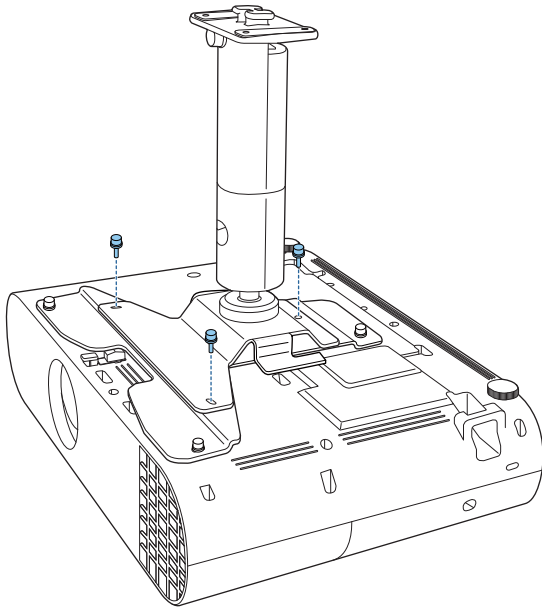


프로젝터 플레이트가 있는 경우

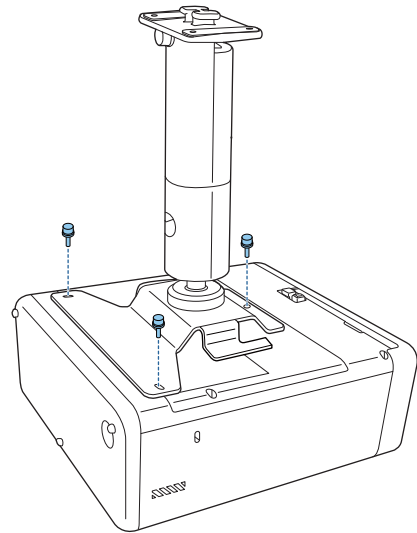


프로젝터 플레이트가 없는 경우

3 제공된 M4 x 10 mm 나사(3개)를 사용하여 암 유닛을 프로젝터에 고정합니다.



프로젝터 플레이트가 있는 경우



프로젝터 플레이트가 없는 경우

안전 와이어 설치하기

천장, 벽 또는 선반과 같이 높은 곳에 설치할 경우, 암 유닛을 부착한 후 프로젝터가 떨어지는 것을 방지하기 위해 제공된 안전 와이어를 부착하십시오.

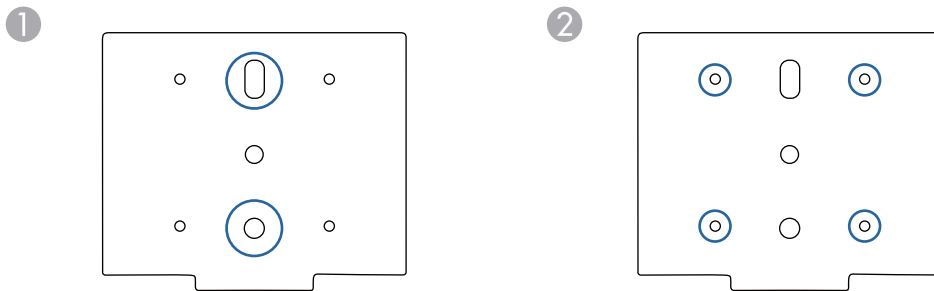
설치 절차에 대한 자세한 내용은 안전 와이어 세트와 함께 제공된 *사용자 가이드*를 참조하십시오.

설치 장소에 프로젝터 부착하기

설치 위치 결정하기

이미지를 투사하려는 위치를 확인하고 천장 마운트/플로어 스탠드의 장착 위치를 결정합니다. 천장 마운트/플로어 스탠드를 설치할 위치의 구조(강도 등)를 고려하십시오.

장착 구멍 위치 및 치수



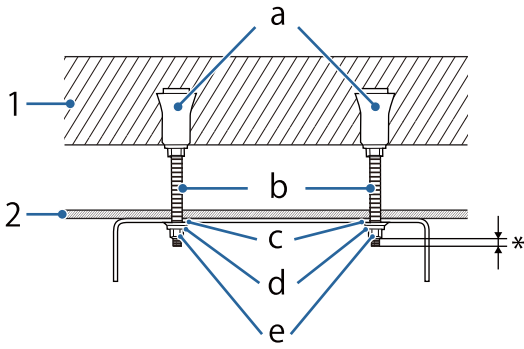
- 1 앵커 볼트 장착 구멍(M10)
- 2 목재 나사 장착 구멍(공칭 직경 5.1)

장착 위치가 콘크리트인 경우

2개의 앵커 볼트를 사용하여 마운트를 콘크리트 표면에 부착하십시오. 상용 앵커 볼트를 구입해야 합니다.

⚠ 경고

- 설치 영역의 콘크리트가 이 제품과 프로젝터를 합친 질량을 지탱할 수 있는지, 그리고 지진 등에 의해 발생할 수 있는 측방향 이동을 견딜 수 있는지 미리 확인하십시오. 시간이 흘러 콘크리트가 깨지기 쉬워지거나 기능이 저하된 경우, 철근 등으로 이를 안전하게 보강하십시오.
- 앵커가 파손되거나 느슨해지거나 정렬이 잘못되지 않도록 일반 표준과, 콘크리트 제조업체에서 지정한 표준 및 방법에 따라 앵커를 설치해야 합니다.
- 설치 시 또는 각도 조정을 마친 후 모든 나사를 단단히 조이십시오. 나사를 조인 후에 추가적으로 더 조여 느슨한 나사가 하나도 없도록 해야 합니다.
- 당사는 설치 영역에서 충분치 않은 강도 등으로 인해 이 제품이 떨어져 발생하는 어떠한 사고에 대해서도 책임을 지지 않는다는 점에 유의하십시오.



- 1: 콘크리트
- 2: 천장 표면
- a: 암나사형 앵커
- b: 아이 볼트
- c: 평와셔
- d: 스프링 와셔
- e: 육각 너트
- *: 최소한 3개의 나사 봉우리가 보여야 합니다.

그러나 마운트에 닿기 때문에 9 mm를 초과해서는 안 됩니다.

장착 위치가 목재인 경우



경고

목재 나사를 사용하여 설치할 경우 베이스 두께가 최소 20 mm여야 합니다.

천장 마운트/플로어 스탠드 플레이트 부착하기

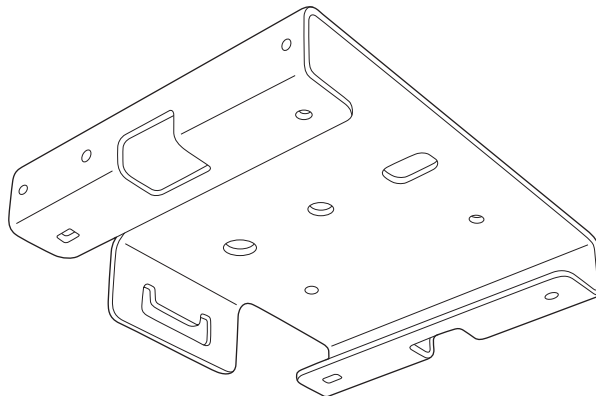
1

설치 위치에서 장착 구멍을 뚫습니다.

2

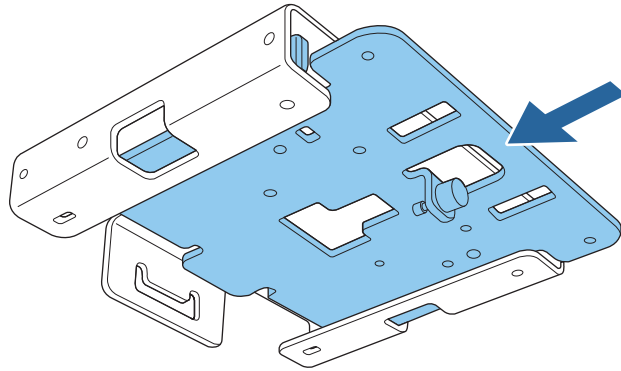
천장 마운트/플로어 스탠드 플레이트 A를 천장에 부착합니다.

설치에 사용할 상용 품목을 구입하십시오.



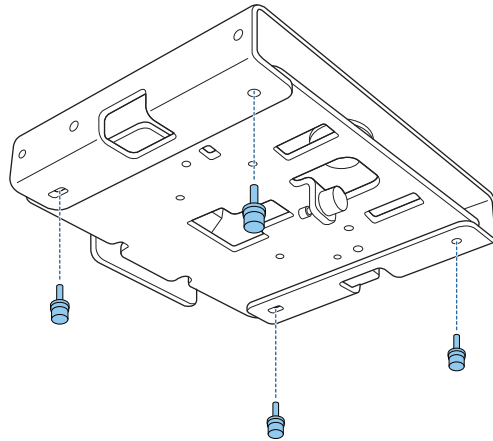
3

천장 마운트/플로어 스탠드 플레이트 B를 플레이트 A에 끼웁니다.



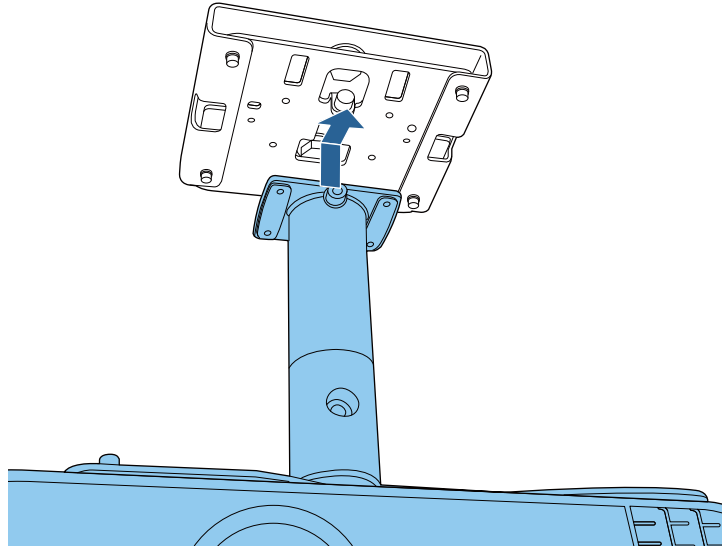
4

육각 렌치(M4 볼 포인트)를 사용하여 제공된 M4 x 14 mm 나사(4개)를 조여 천장 마운트/플로어 스탠드 플레이트 B를 고정합니다.

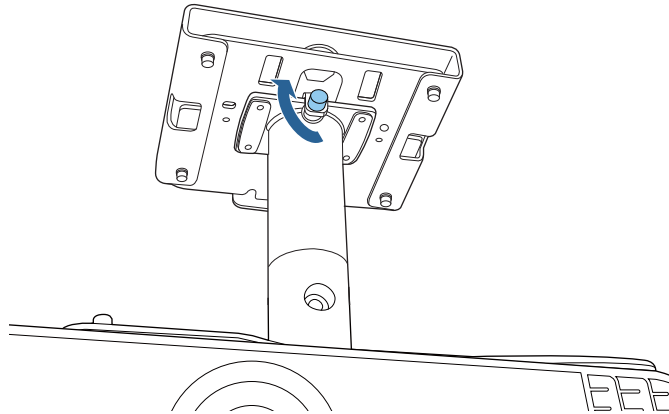


천장 마운트/플로어 스탠드 플레이트 B에 암 유닛 고정하기

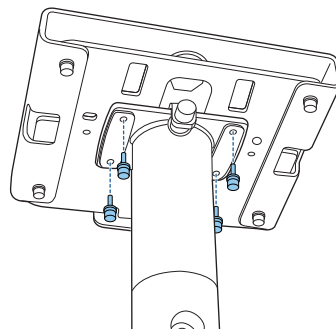
- 1 암 유닛을 천장 마운트/플로어 스탠드 플레이트 B에 제공된 간극에 끼웁니다.
암 유닛을 전면 쪽으로 밀고, 천장 마운트/플로어 스탠드 플레이트 B의 나사 구멍을 암 유닛의 나사 구멍에 맞춰 정렬합니다.



- 2 천장 마운트/플로어 스탠드 플레이트 B의 나사를 조여 임시로 암 유닛을 고정합니다.



- 3 육각 렌치(M4 볼 포인트)를 사용하여 제공된 M4 x 14 mm 나사(4개)를 조여 암 유닛을 고정합니다.



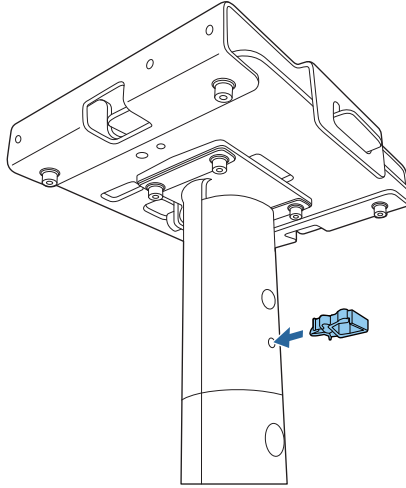
케이블 연결하기

필요한 케이블을 프로젝터의 연결 포트에 연결하십시오.

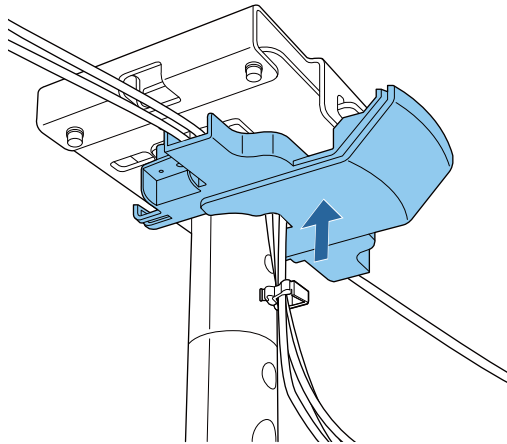
연결 포트에 대한 자세한 내용은 프로젝터의 *사용자 가이드*를 참조하십시오.

마운트 커버 부착하기

- 1 케이블 클램프를 암 유닛에 부착합니다.
암 유닛의 구멍을 통과해 장착되도록 케이블 클램프를 끼웁니다.



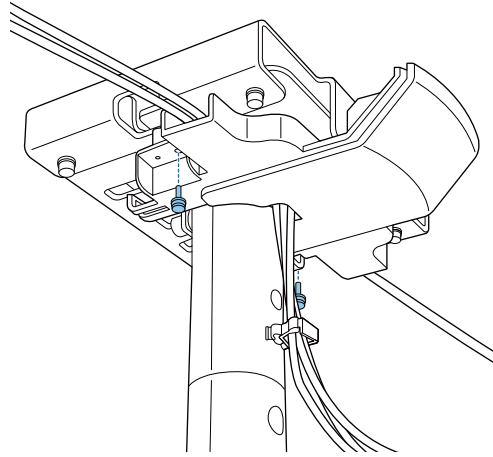
- 2 마운트 A를 천장 마운트/플로어 스탠드 플레이트에 부착합니다.



필요한 경우 케이블이 케이블 경로 또는 케이블 클램프를 통과하도록 배선하십시오. 케이블이 두 겹거나 케이블이 여러 개일 경우 케이블 경로 또는 케이블 클램프를 통과시키지 않고 직접 연결하십시오.

3

제공된 M4 x 10 mm 나사(2개)를 사용하여 마운트 커버 A를 고정합니다.



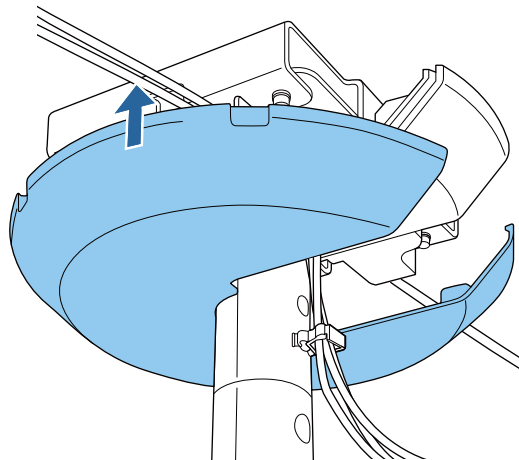
! 주의

케이블이 마운트 커버에 끼이지 않도록 하십시오. 케이블이 커버와 마운트 사이에 끼인 상태에서 나사를 조일 경우 케이블 연결이 끊길 수 있습니다.

4

마운트 커버 B를 부착합니다.

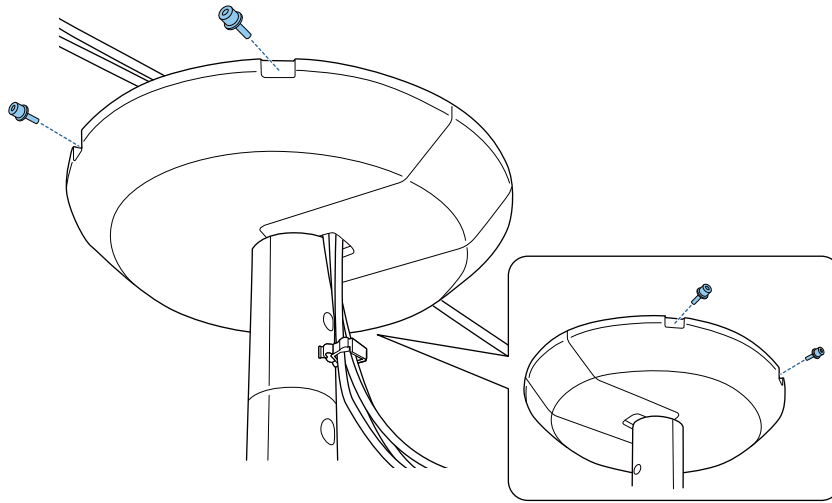
이를 마운트 커버 A 위로 걸어 임시로 고정합니다.



5

제공된 M4 x 10 mm 나사(4개)를 사용하여 마운트 커버 B를 고정합니다.

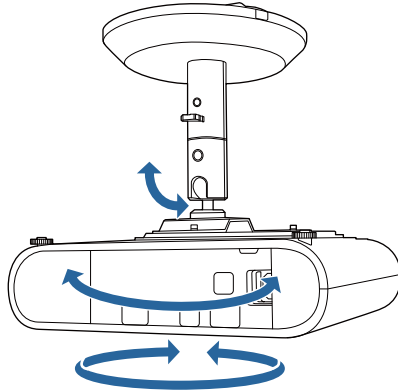
마운트 커버 B를 아래로부터 받치면서 나사 구멍들을 정렬합니다.



프로젝터의 방향 조정하기

프로젝터 지지 섹션에서 볼 조인트를 사용하여 프로젝터의 방향 및 각도를 조정할 수 있습니다.

조정 가능한 각도 범위는 사용 중인 모델에 따라 다릅니다. 자세한 내용은 프로젝터와 함께 제공된 *사용자 가이드*를 참조하십시오.

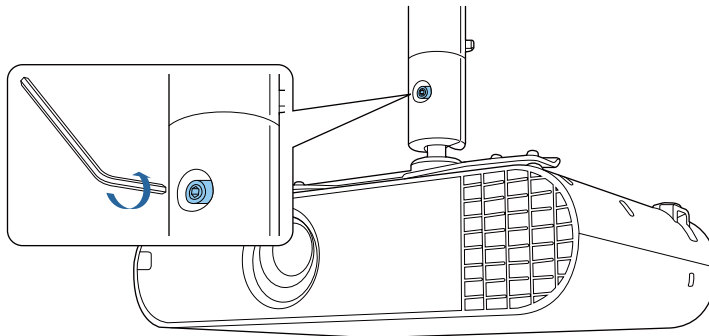


- 1 프로젝터 또는 리모컨의 전원 버튼을 누릅니다.
프로젝터가 켜집니다.

! 주의

프로젝터를 켜기 전에 마운트가 단단히 고정되었는지 확인하십시오.

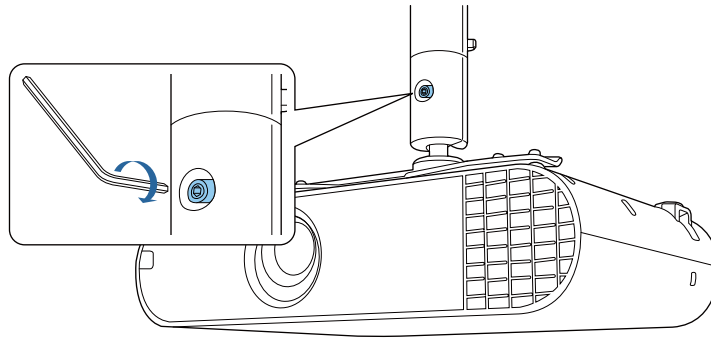
- 2 육각 렌치(M6)를 사용하여 암 유닛의 볼 조인트 나사를 풉니다.



- 3 프로젝터의 방향을 조정합니다.
방향을 조정하는 동안 프로젝터를 아래로부터 받쳐주어야 합니다.

4

조정을 마치면 육각 렌치(M6)를 사용하여 볼 조인트 부분용 나사를 단단히 조입니다.



- 조정한 후에는 볼 조인트의 나사를 완전히 조이십시오. 완전히 조이지 않을 경우 프로젝터의 각도가 변경되어 이미지의 위치가 이동합니다.
- 프로젝터의 방향을 조정한 후 투사되는 이미지의 크기와 초점을 조정합니다. 자세한 내용은 프로젝터와 함께 제공된 *사용자 가이드*를 참조하십시오.

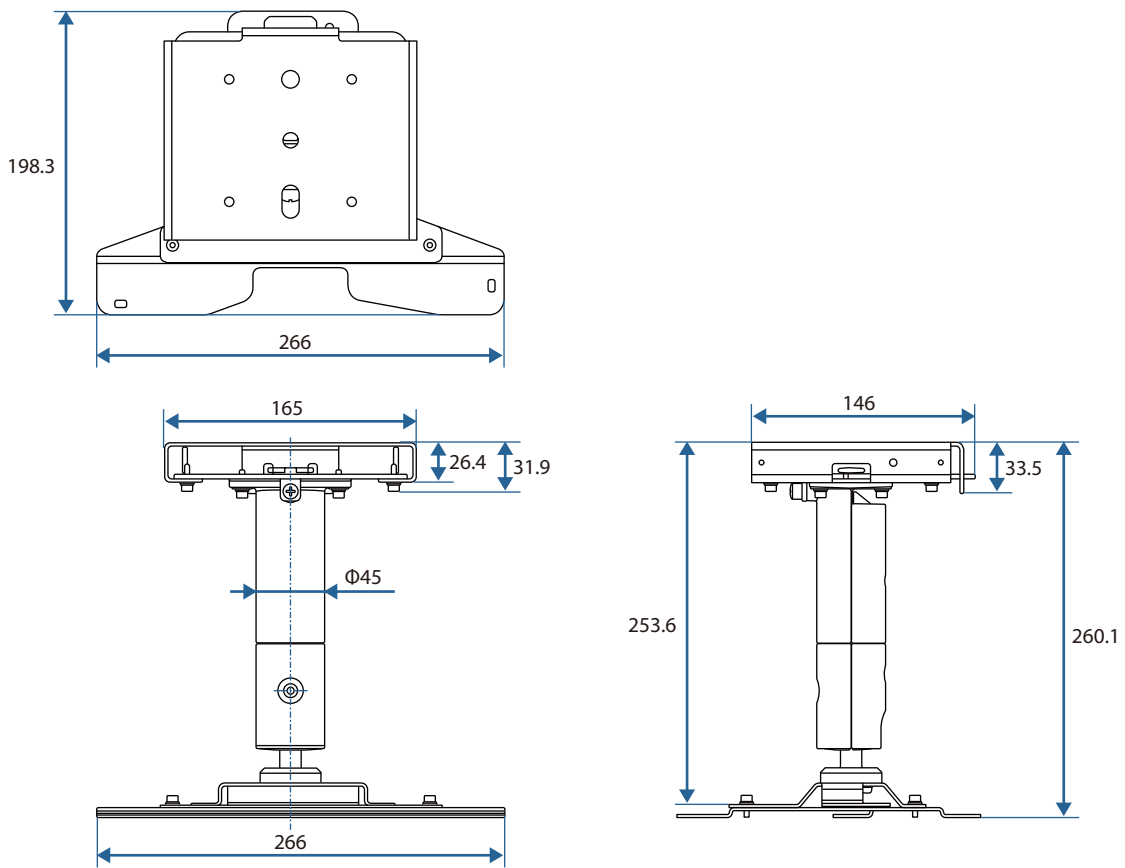
○ 사양

품목	사양
질량(프로젝터 플레이트, 암 유닛, 천장 마운트/플로어 스탠드 플레이트 A/B, 마운트 커버 A/B)	약 2.7 kg
최대 부하 용량	약 10.0kg

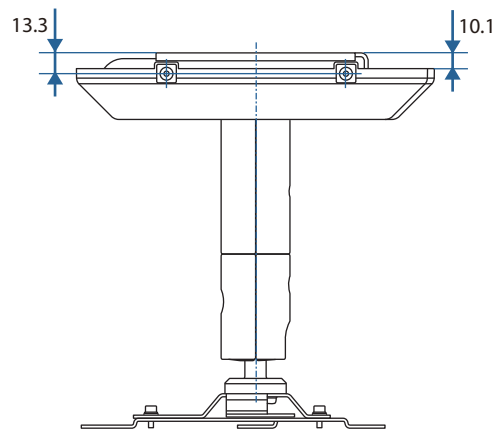
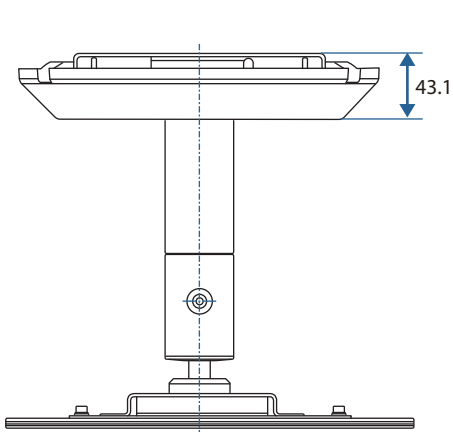
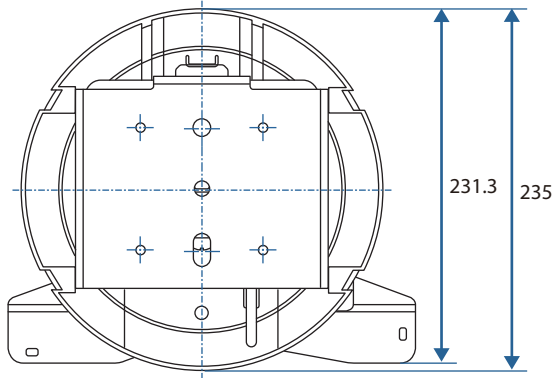
외양

[단위: mm]

마운트 커버 제외



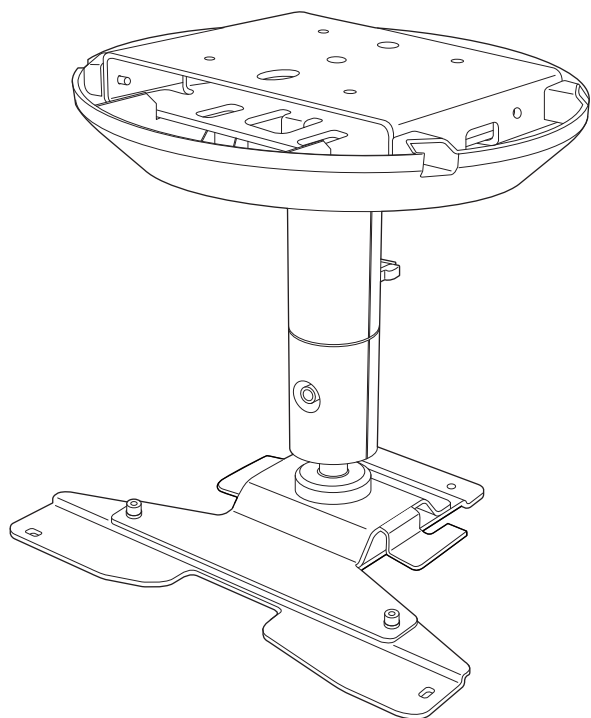
마운트 커버가 부착된 상태에서



©SEIKO EPSON CORPORATION 2019. All rights reserved.

ELPMB60

設置工事説明書



安全上のご注意

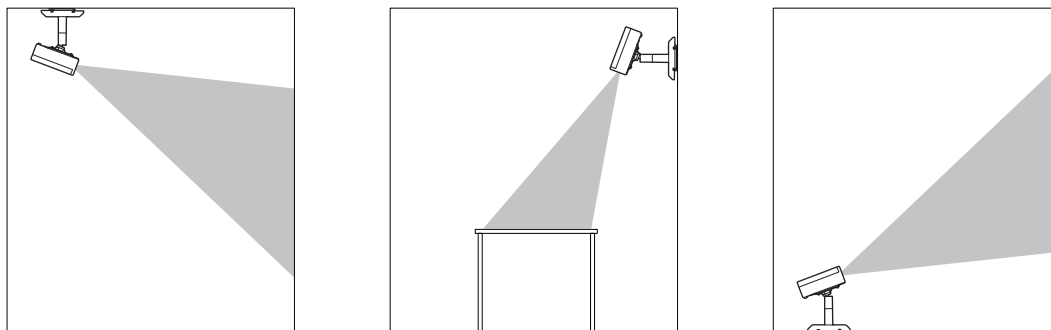
本書では、同梱の天吊り/床置き金具ELPMB60を使ってプロジェクターを天井、壁、床へ取り付けるための手順を説明しています。

金具やプロジェクターを安全にお使いいただくために、必ず本書をお読みください。本書の内容に反した取り扱いは故障や事故の原因となります。本書は、製品の不明点をいつでも解決できるように、手元に置いてお使いください。

プロジェクターの取り扱いについては、プロジェクターに同梱の『取扱説明書』と『安全にお使いいただくために』をご確認いただき、取り扱いの注意事項をお守りください。

設置の種類



本製品は、天井、壁、床に設置できます。






安全に関する表示

取扱説明書および本製品には、本製品を安全に正しくお使いいただき、お客様や他の人への危害や財産への損害を未然に防止するために、絵表示が使われています。















その表示と意味は次のとおりです。内容をよくご理解いただいた上で本文をお読みください。





表示	意味
 警告	この表示を無視して誤った取り扱いをすると、人が死亡または重傷を負う可能性が想定される内容を示しています。
 注意	この表示を無視して誤った取り扱いをすると、人が損害を負う可能性が想定される内容および物的損害のみの発生が想定される内容を示しています。

一般情報に関する表示












記号	意味
	行為を禁止する記号
	行為を指示する記号
	関連する情報や知っておくと便利な情報






設置作業に関する警告

 警告	
<p>設置工事は、専門の技術や技能を有する専門業者が行ってください。</p> <p>正しく工事が行われないと、金具やプロジェクターが落下したり倒れたりしてけがや事故の原因となります。</p>	
<p>設置工事を行うときは、本書の記載に従ってください。</p> <p>記載事項を守らないと、金具やプロジェクターが落下したり倒れたりしてけがや事故の原因となります。</p>	
<p>設置の際は、取り付ける場所の構造、材質を十分に確認し、最適な工法で工事を行ってください。</p> <p>正しく作業を行わないと、金具やプロジェクターが落下したり倒れたりしてけがや事故の原因となります。</p>	
<p>天井や壁への設置工事は2人以上で行ってください。また、金具やプロジェクターが落下しないよう、安定した足場を必ず確保してください。</p>	
<p>天井、壁、棚の上などの高い場所に設置するときは、プロジェクターの落下を防ぐため、同梱のセーフティーワイヤーを使って金具とプロジェクターを固定してください。</p>	
<p>本製品には、本製品に対応しているEPSON製プロジェクター以外のものを取り付けしないでください。</p> <p>本製品に対応していないプロジェクターを取り付けると、金具が落下、転倒または破損して、人が死亡または重傷を負うおそれがあります。</p> <p>本製品に取り付け可能なプロジェクターは、カタログ等で確認できます。</p>	
<p>設置の際は、配線用遮断装置（定格電流10A以下のブレーカー）を、手が届く場所にご用意ください。</p> <p>作業中に異常があった場合は、すぐに屋内配線の電源を切ってください。</p>	
<p>電源ケーブルの取り扱いの際には、以下の点を守ってください。取り扱いを誤ると、火災や感電の原因となります。</p> <ul style="list-style-type: none"> • 濡れた手で電源プラグを抜き差ししない • 破損または加工した電源ケーブルは使わない • 電源ケーブルを強い力で引っ張らない • 設置の際に、取り付け金具などで電源ケーブルを挟まない 	
<p>ケーブル類をプロジェクターや金具に巻きつけないでください。</p>	
<p>ケーブル類の配線を行うときは、ネジやボルトを避けて配線してください。</p> <p>ネジやボルトとの接触により、火災や感電のおそれがあります。</p>	
<p>設置の際は、ネジやボルトを完全に締めてください。</p> <p>完全に締まっていないと、金具やプロジェクターが落下したり倒れたりしてけがや事故の原因となります。</p>	
<p>本製品の取り付け中や取り外し時に不用意にネジを緩めたり取り外さないでください。</p>	
<p>金具の固定の際は、ネジゆるみ止め用接着剤・潤滑剤・油などを使用しないでください。</p> <p>ネジゆるみ止め用接着剤・潤滑剤・油などが付着すると金具やプロジェクターが割れ、落下したり倒れたりしてけがや事故の原因となります。</p>	






 警告	
<p>金具やプロジェクターにぶら下がったり、重い物をぶら下げたりしないでください。 金具やプロジェクターが落下したり倒れたりして、人が死亡または重傷を負うおそれがあります。</p>	
<p>設置の際はプロジェクターや金具に無理な力を加えないでください。 金具やプロジェクターが破損して、人が死亡または重傷を負うおそれがあります。</p>	
<p>以下のようなときは設置せず、お買い上げの販売店、またはエプソンサービスコールセンターにご相談ください。</p> <ul style="list-style-type: none"> • 設置前や設置時に本製品を落としたり、破損したりしたとき • 金具に異常や不具合があるとき 	

設置場所に関する警告と注意

 警告	
<p>金具を取り付ける面の構造や材質を確認のうえ、最適な工法で設置してください。</p>	
<p>金具を取り付ける面には、十分な強度を確保してください。</p>	
<p>金具やプロジェクターに振動や衝撃が伝わる不安定な場所には設置しないでください。 金具を取り付ける面が破損するおそれがあります。また、金具やプロジェクターが落下したり倒れたりしてけがや事故の原因となります。</p>	
<p>強度が不足している場所、傾いた場所には取り付けしないでください。 取り付け場所はプロジェクターと本製品を支えるために十分な強度が必要です。取り付けの前にプロジェクターと本製品の質量を確認し、許容加重計算等を行い、確実に取り付けてください。</p>	
<p>屋外、風呂、シャワー室など、雨や水のかかるおそれのある場所では設置・使用しないでください。 火災や感電の原因となります。</p>	
<p>可燃性ガスや爆発性ガスなどが大気中に存在するおそれのある場所で使用しないでください。 プロジェクター内部は高温になるため、引火して火災の原因となります。</p>	
<p>プロジェクターの吸気口と排気口をふさがしないでください。 吸気口や排気口をふさぐとプロジェクター内部に熱がこもり、火災の原因となることがあります。</p>	
 注意	
<p>プロジェクターの動作温度範囲を超える場所に設置しないでください。 故障の原因となります。</p>	
<p>エアコンなどの吹き出し口から離れた場所に設置してください。 エアコンなどの風がプロジェクターに直接あたると環境温度が上昇し、プロジェクターが正しく動作しないことがあります。</p>	

 注意	
<p>蛍光灯から離れた場所に設置してください。</p> <p>蛍光灯の種類によっては、プロジェクターのリモコンが誤動作することがあります。</p>	
<p>リモコン受光部に蛍光灯や直射日光などの強い光があたらない場所に設置してください。</p> <p>強い光がリモコン受光部に当たると、リモコン操作が正しくできないことがあります。</p>	
<p>プロジェクターのレンズや内部部品に汚れが付着しないよう、ホコリや湿気の少ない場所に設置してください。</p>	
<p>湿気やホコリの多い場所や、油煙や湯気が当たるような場所にプロジェクターを設置しないでください。</p> <p>火災・感電の原因となることがあります。また、プロジェクターのケースが劣化して破損し、プロジェクターが金具から落下するおそれがあります。</p> <p>ケース劣化によりプロジェクターの落下が想定される環境の例</p> <ul style="list-style-type: none"> • 油煙が多い場所（例：工場、キッチン等） • 溶剤、薬品が揮発している空間（例：工場、実験室等） • 油、洗剤、薬品等が付着する場所（例：工場、キッチン等） • アロマオイルを頻繁に使う場所（例：リラクゼーションルーム等） • イベント演出等のスモーク（油成分以外も含む）や泡が多い場所（例：イベント演出装置周辺等） 	

設置後の取り扱いに関する警告

 警告	
<p>設置後はネジやボルトを絶対に緩めないでください。</p> <p>定期的にネジやボルトの緩みがないことを確認し、緩みがあるときは確実に締め直してください。完全に締まっていないと、金具やプロジェクターが落下したり倒れたりしてけがや事故の原因となります。</p>	
<p>設置後は、無理な力をかけたりぶら下がったりしないでください。</p>	
<p>本書で指示している場合を除き、本製品の分解や改造は絶対に行わないでください。</p>	
<p>お手入れの際は濡れた布やアルコール、ベンジン、シンナーなどの溶剤を使用しないでください。</p> <p>水が中に入ったり、ケースが劣化し割れるなどして感電の原因となります。</p>	

安全にお使いいただくために

安全上のご注意	1
設置の種類	1
安全に関する表示	1
一般情報に関する表示	1
設置作業に関する警告	2
設置場所に関する警告と注意	3
設置後の取り扱いに関する警告	4

準備

同梱品一覧	6
--------------------	----------

取り付け手順

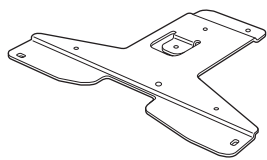
プロジェクターに金具を取り付ける	8
プロジェクター用プレートを取り付ける	8
アームユニットを取り付ける	9
セーフティーワイヤーを取り付ける	11
プロジェクターを設置場所に取り付ける る	12
取り付け位置を決める	12
取り付け穴位置と穴の寸法	12
取り付け部がコンクリートのとき	12
取り付け部が木材のとき	13
天吊り/床置き用プレートを取り付ける	13
天吊り/床置き用プレートにアームユニット を取り付ける	14
ケーブル類を接続する	16
金具カバーを取り付ける	17
プロジェクターの向きを調整する	20

付録

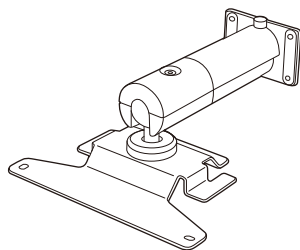
仕様	22
外形寸法図	22

同梱品一覧

作業を始める前に、以下の同梱品がすべて揃っていることをご確認ください。



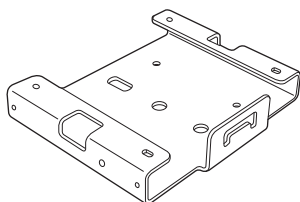
プロジェクター用プレート



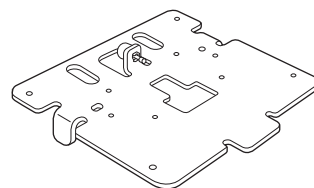
アームユニット



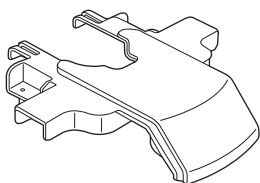
ケーブルクランプ



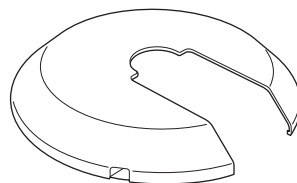
天吊り/床置き用プレートA



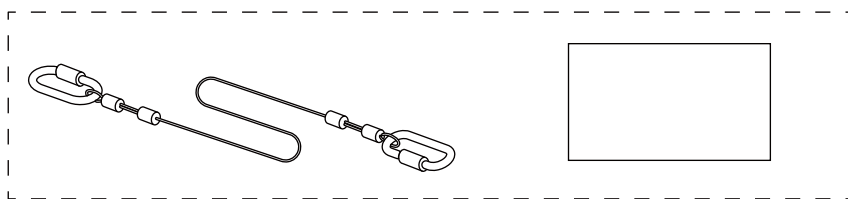
天吊り/床置き用プレートB



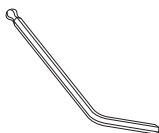
金具カバーA



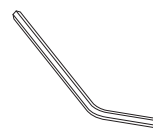
金具カバーB



セーフティーワイヤーセット (セーフティーワイヤー (500mm)、取扱説明書)




六角レンチ (M4ボールポイント)



六角レンチ (M6)

形状	名称	員数	用途
	M4 x 14mm 六角穴付きネジ (ワッシャー付き) : ブラック	4本	天吊り/床置き用プレートBを固定するために使います。
		4本	アームユニットを天吊り/床置き用プレートに固定するために使います。

形状	名称	員数	用途
	M4 x 10mm 六角穴付きネジ (ワッシャー付き) : シルバー	4本	プロジェクター用プレートをプロジェクターに固定するために使います。
		3本	アームユニットをプロジェクター用プレートに固定するために使います。
		6本	金具カバーを固定するために使います。

📌 プロジェクターに金具を取り付ける

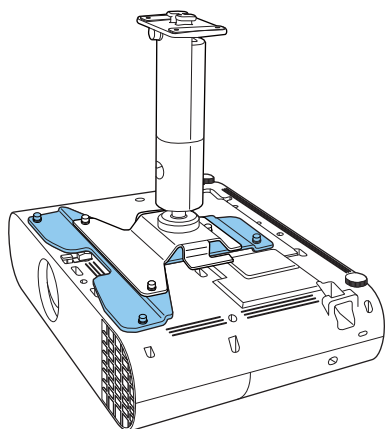
プロジェクターの底面に、プロジェクター用プレートとアームユニットを取り付けます。

⚠️ 注意

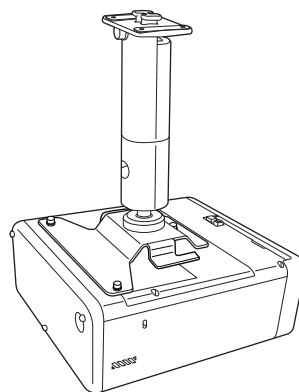
プロジェクターに金具を取り付けるときは、必ず同梱のネジをお使いください。

プロジェクター用プレートを取り付ける

お使いの機種によっては、プロジェクター用プレートの取り付けは不要となります。アームユニットの取り付けに進んでください。

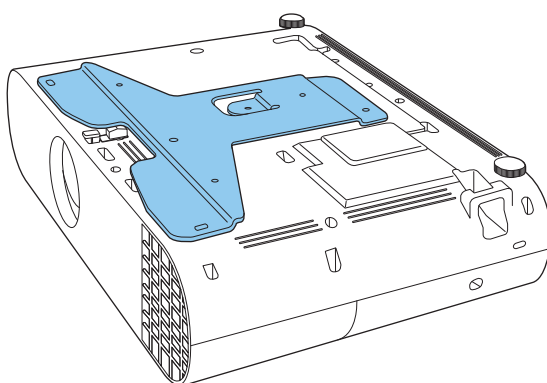


プロジェクター用プレート必要

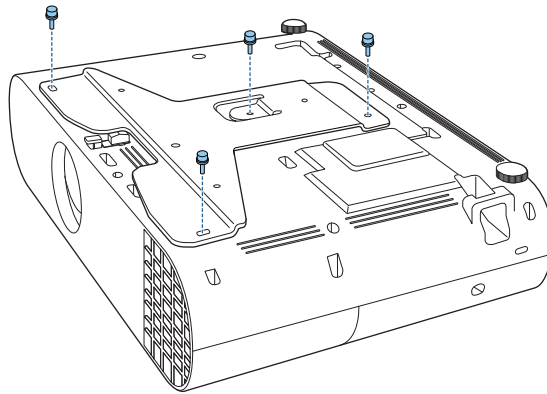


プロジェクター用プレート不要

- 1 プロジェクター用プレートをプロジェクターの底面に乗せる。
プロジェクターの金具固定部のネジ穴と、プロジェクター用プレートのネジ穴の位置を合わせてください。

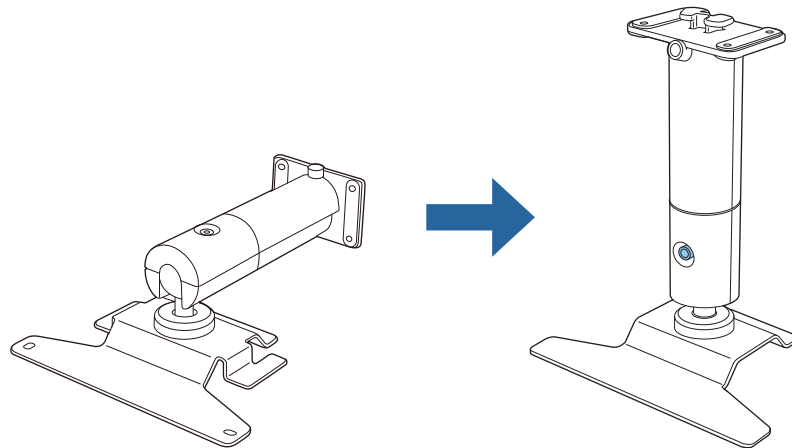


- 2 同梱のM4 x 10mmネジ (4本) で、プロジェクター用プレートを固定する。



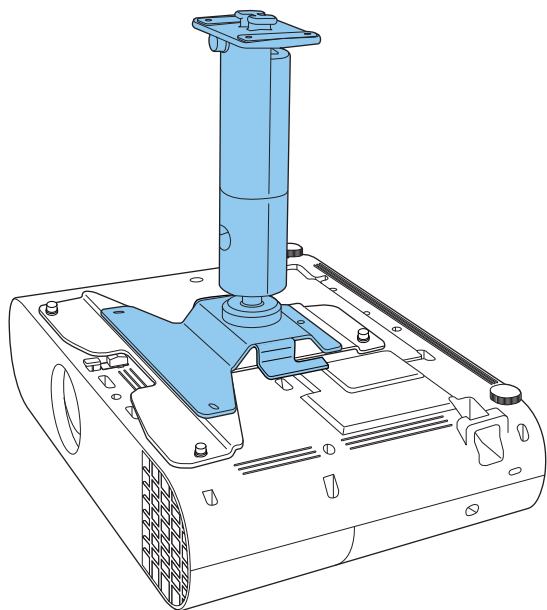
アームユニットを取り付ける

- 1 アームユニットをまっすぐにしてネジを締める。

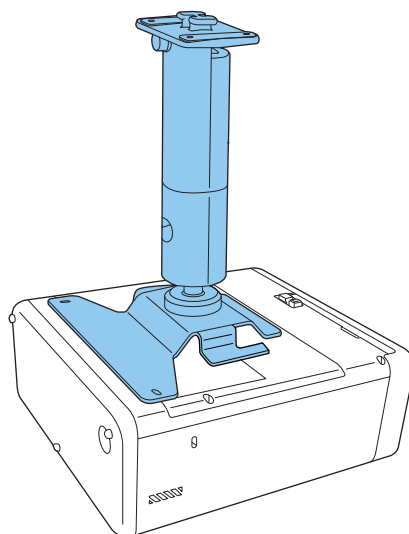


2 アームユニットをプロジェクターの上に乗せる。

プロジェクター用プレートのネジ穴またはプロジェクターのネジ穴と、アームユニットのネジ穴の位置を合わせてください。

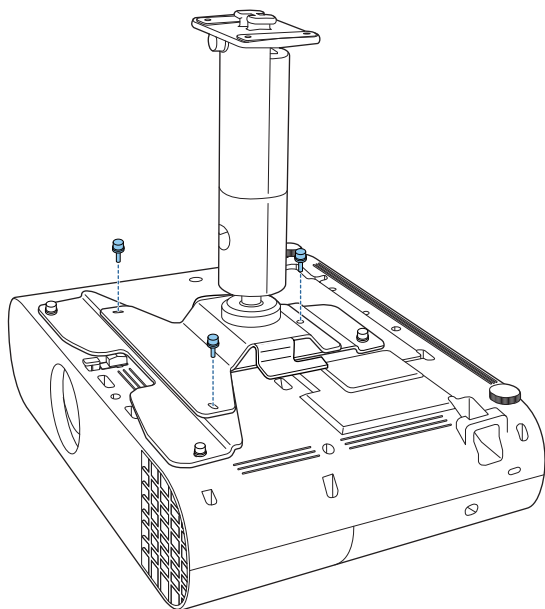


プロジェクター用プレートありの場合

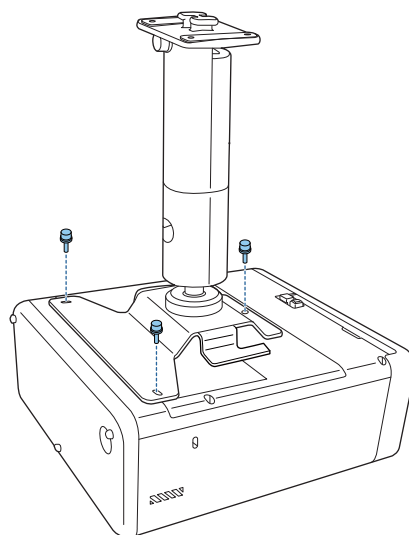


プロジェクター用プレートなしの場合

3 同梱のM4 x 10mmネジ (3本) で、アームユニットを固定する。



プロジェクター用プレートありの場合



プロジェクター用プレートなしの場合

セーフティーワイヤーを取り付ける

天井、壁、棚の上などの高い場所に設置するときは、アームユニット取り付け後、プロジェクターの落下防止のためにセーフティーワイヤーを取り付けます。

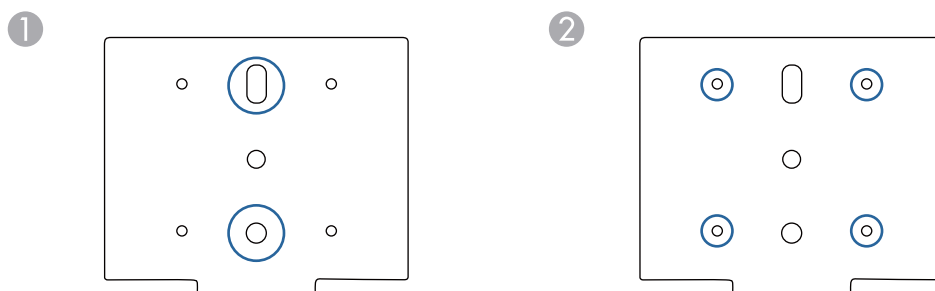
取り付け手順の詳細は、セーフティーワイヤーセットの『取扱説明書』をご確認ください。

プロジェクトを設置場所に取り付ける

取り付け位置を決める

投写する位置を確認して、あらかじめ天吊り/床置き金具の取り付け位置を決めてください。
天吊り/床置き金具の取り付けは、取り付け場所の構造に適した方法で行ってください。

■ 取り付け穴位置と穴の寸法



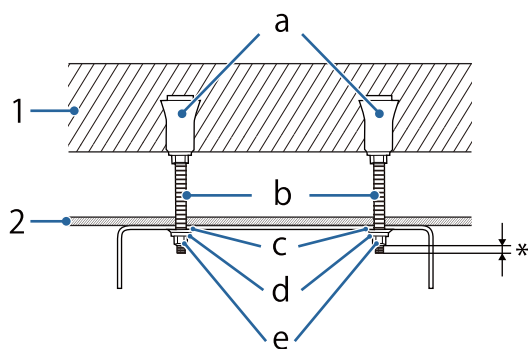
- ① アンカーボルト取り付け穴 (M10)
- ② 木ネジ取り付け穴 (呼び径5.1)

■ 取り付け部がコンクリートするとき

コンクリート面に取り付けるためにはアンカーボルトを2本使用します。アンカーボルトは市販品をご用意ください。

警告

- 取り付け部分のコンクリートが本製品とプロジェクトの質量、および横ゆれに十分耐えられることを事前に確認してください。コンクリートがもろいときや経時劣化しているときは鉄筋などで確実に補強を行ってください。
- アンカーは資材メーカーが指定する基準や方法に従って、抜けや緩み、位置ずれが生じないように確実に施工してください。
- 取り付け時や角度調整終了後は、ネジを確実に締めてください。
ネジを締め付けた後、増し締めをしてネジの緩みがないことを十分確認してください。
- 取り付け部分の強度不足等による落下事故につきましては、当社は一切責任を負いませんのでご了承ください。



- 1: コンクリート
- 2: 天井面
- a: めねじタイプアンカー
- b: つりボルト
- c: 平ワッシャー
- d: スプリングワッシャー
- e: 六角ナット
- *: 3山以上出します。

ただし、金具に接触するので9mm以上出さないでください。

■ 取り付け部が木材のとき

警告

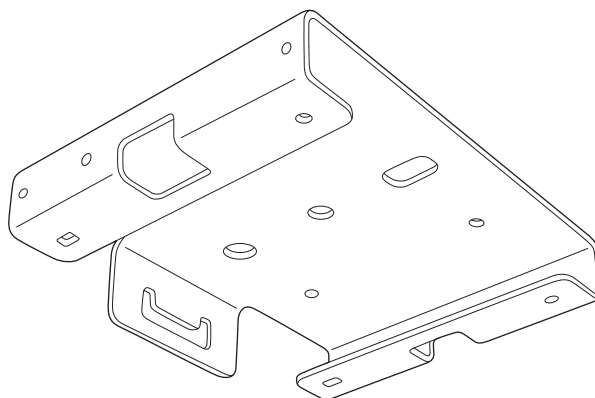
木ネジを使って取り付けるときは、下地の厚さが20mm以上あることをご確認ください。

天吊り/床置き用プレートを取り付ける

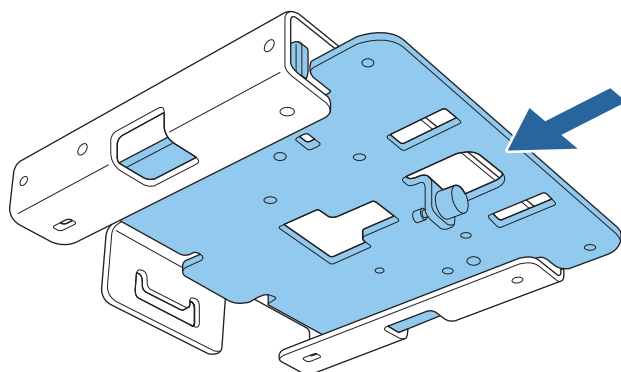
1 設置先に取り付け穴を開ける。

2 天吊り/床置き用プレートAを設置先に取り付ける。

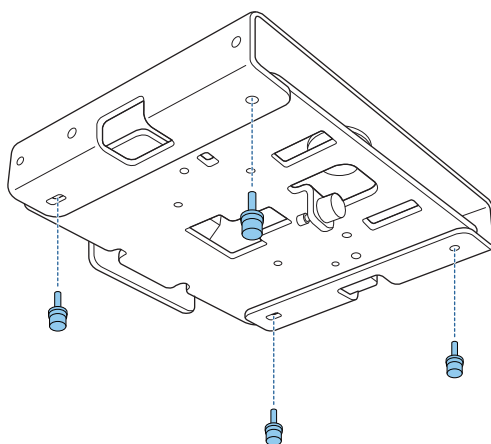
取り付けに使う部品は、市販品をご用意ください。



- 3 天吊り/床置き用プレートBをプレートAに差し込む。

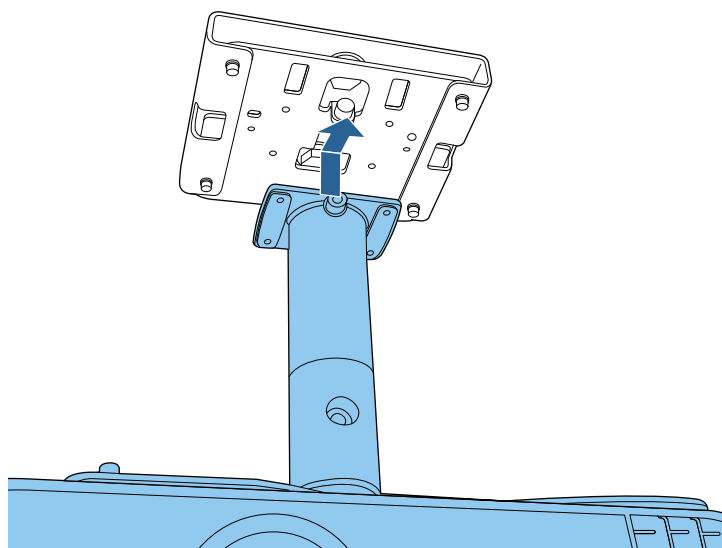


- 4 同梱のM4 x 14mmネジ (4本) を六角レンチ (M4ボールポイント) で締めて、天吊り/床置き用プレートBを固定する。

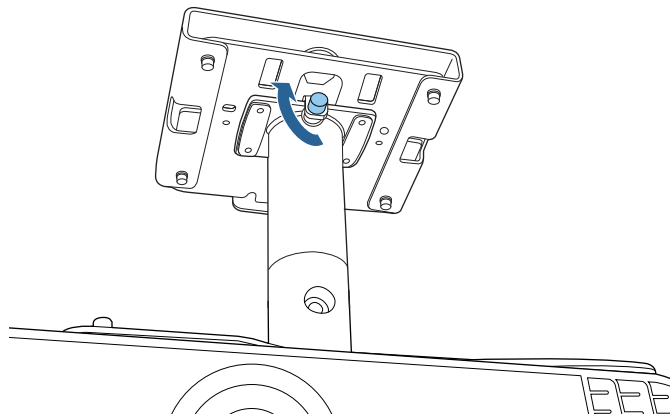


天吊り/床置き用プレートにアームユニットを取り付ける

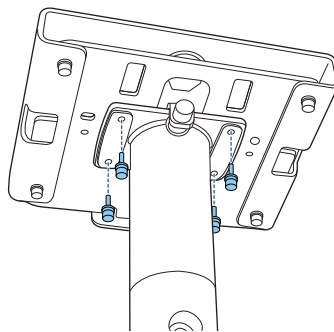
- 1 天吊り/床置き用プレートBのくぼみにアームユニットを差し込む。
前側にスライドさせて、天吊り/床置き用プレートBのネジとアームユニットのネジ穴を合わせます。



- 2 天吊り/床置き用プレートBのネジを締めて、アームユニットを仮固定する。



- 3 同梱のM4 x 14mmのネジ (4本) を六角レンチ (M4ボールポイント) で締めて、アームユニットを固定する。

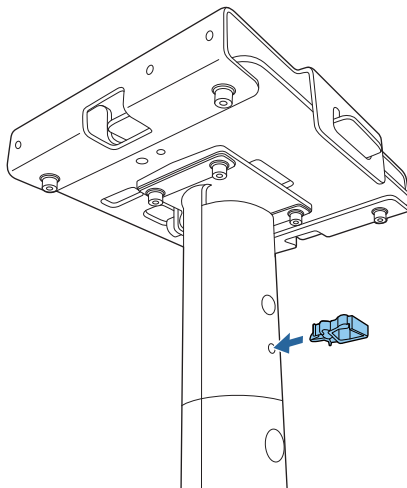


ケーブル類を接続する

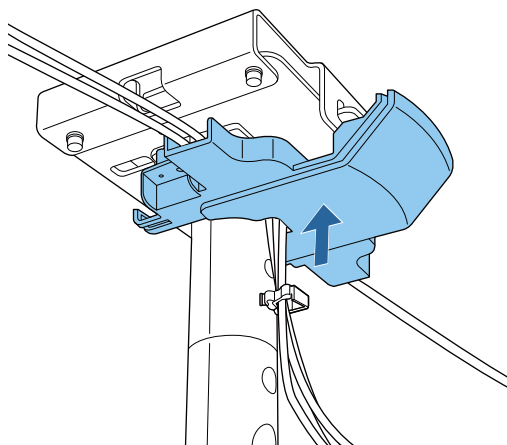
プロジェクターの接続端子部に、必要なケーブル類を接続します。
接続端子はプロジェクターの『取扱説明書』をご確認ください。


金具カバーを取り付ける

- 1 アームユニットにケーブルクランプを取り付ける。
アームユニットの穴に合わせてケーブルクランプを差し込みます。

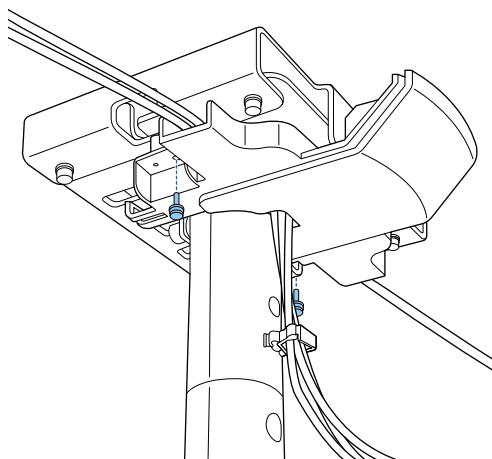


- 2 金具カバーAを天吊り/床置き用プレートに取り付ける。



 ケーブル類は必要に応じてケーブル用のくぼみやケーブルクランプに通してください。ケーブルが太いときや本数が多いときは、くぼみやケーブルクランプを通さずに直接接続してください。

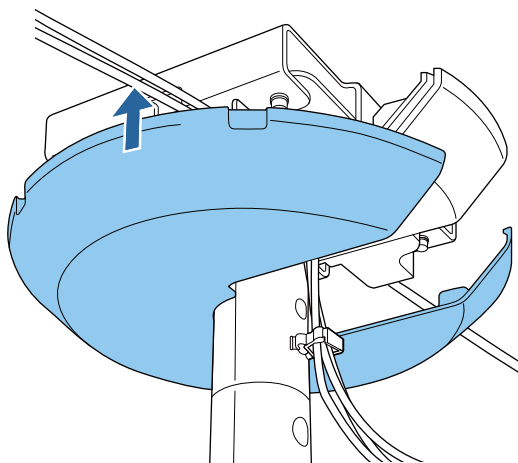
- 3 同梱のM4 x 10mmネジ（2本）で金具カバーAを固定する。



! 注意

金具カバーでケーブル類を挟まないでください。ケーブルを挟んだ状態でネジを締めると、ケーブルが断線するおそれがあります。

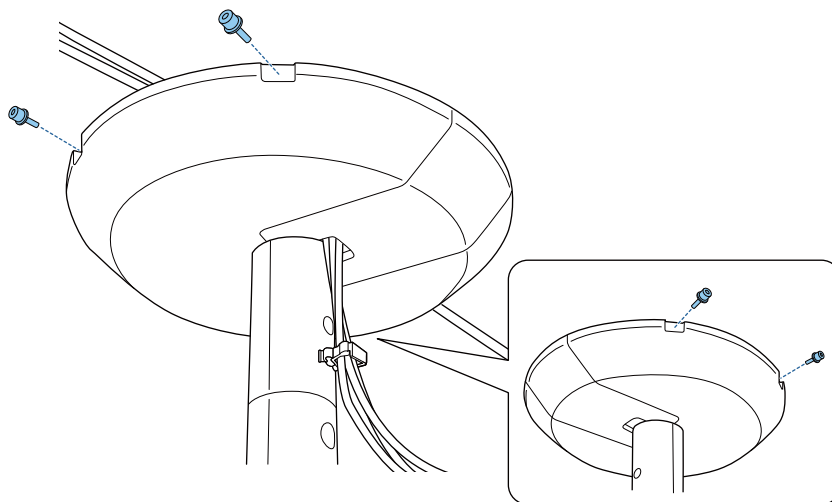
- 4 金具カバーBを取り付ける。
金具カバーAに引っ掛けて仮固定します。



5

同梱のM4 x 10mmネジ (4本) で金具カバー-Bを固定する。

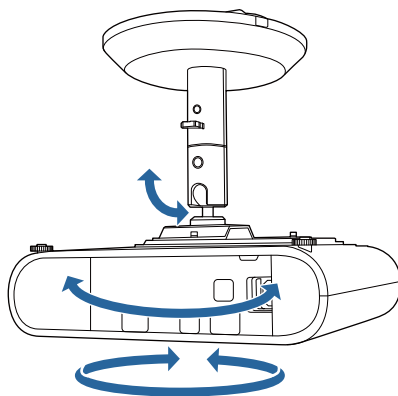
金具カバー-Bを下から支えながらネジ穴を合わせてください。



■ プロジェクターの向きを調整する

プロジェクター支持部にあるボールジョイント機構を使って、プロジェクターを任意の角度で固定できます。

固定可能な角度の範囲はお使いの機種によって異なります。詳しくはプロジェクターの『取扱説明書』をご確認ください。

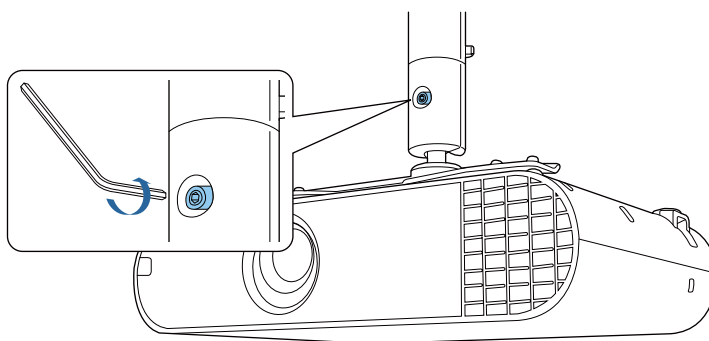


- 1 プロジェクターの本体またはリモコンの電源ボタンを押します。
プロジェクターの電源がオンになります。

⚠ 注意

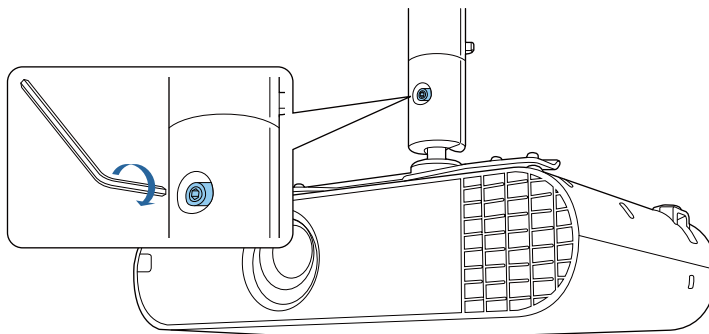
プロジェクターの電源を入れる前に、金具が確実に固定されていることをご確認ください。

- 2 アームユニットのボールジョイント部のネジを六角レンチ（M6）で緩める。



- 3 プロジェクターの向きを調整する。
プロジェクターを下から支えながら向きを調整してください。

- 4 調整が終了したら、ボールジョイント部のネジを六角レンチ（M6）で完全に締めて固定する。



- 調整後はボールジョイント部のネジを完全に締め直してください。完全に締まっていないと、プロジェクターの向きが変わり、映像の位置がずれます。
- プロジェクターの向きを調整したら、投写映像のサイズやピントを調整します。詳しくはプロジェクターの『取扱説明書』をご確認ください。

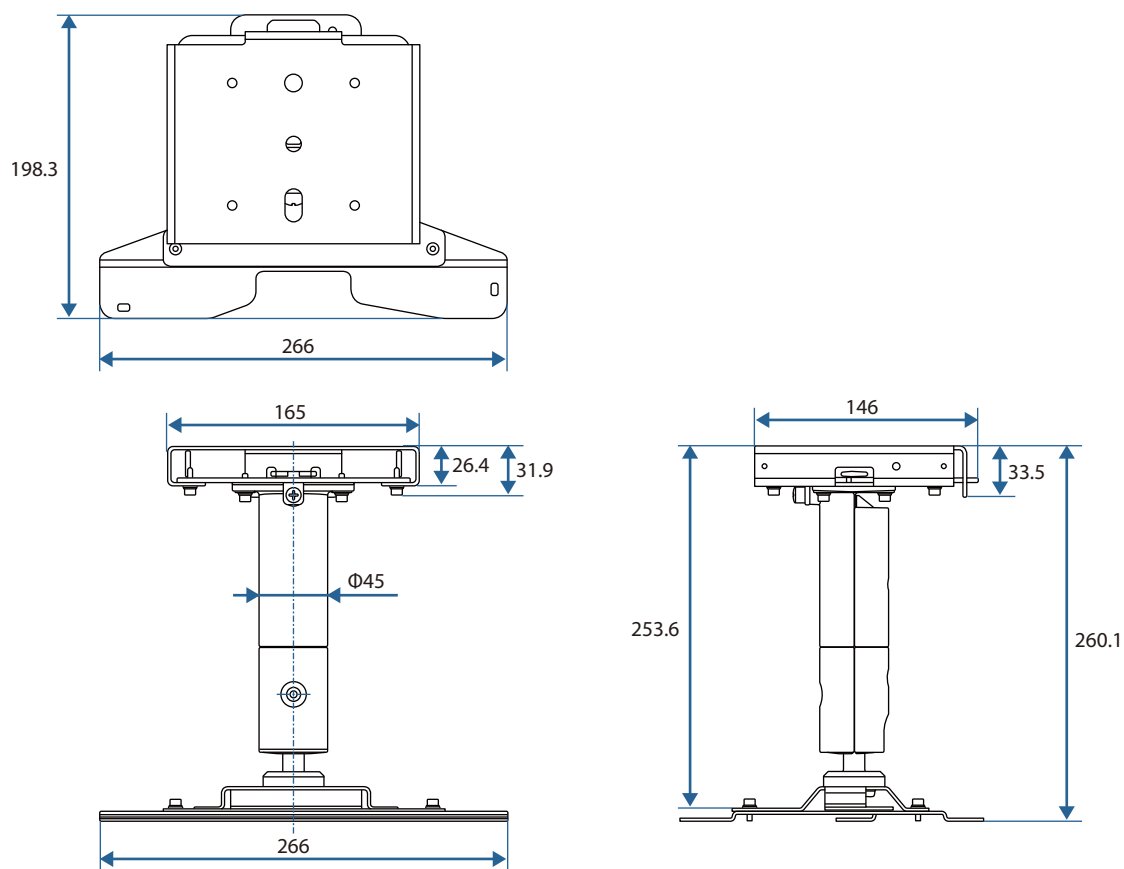
仕様

項目	仕様
質量 (プロジェクター用プレート、アームユニット、天吊り/床置き用プレートA/B、金具カバーA/B)	約2.7kg
最大荷重	約10.0kg

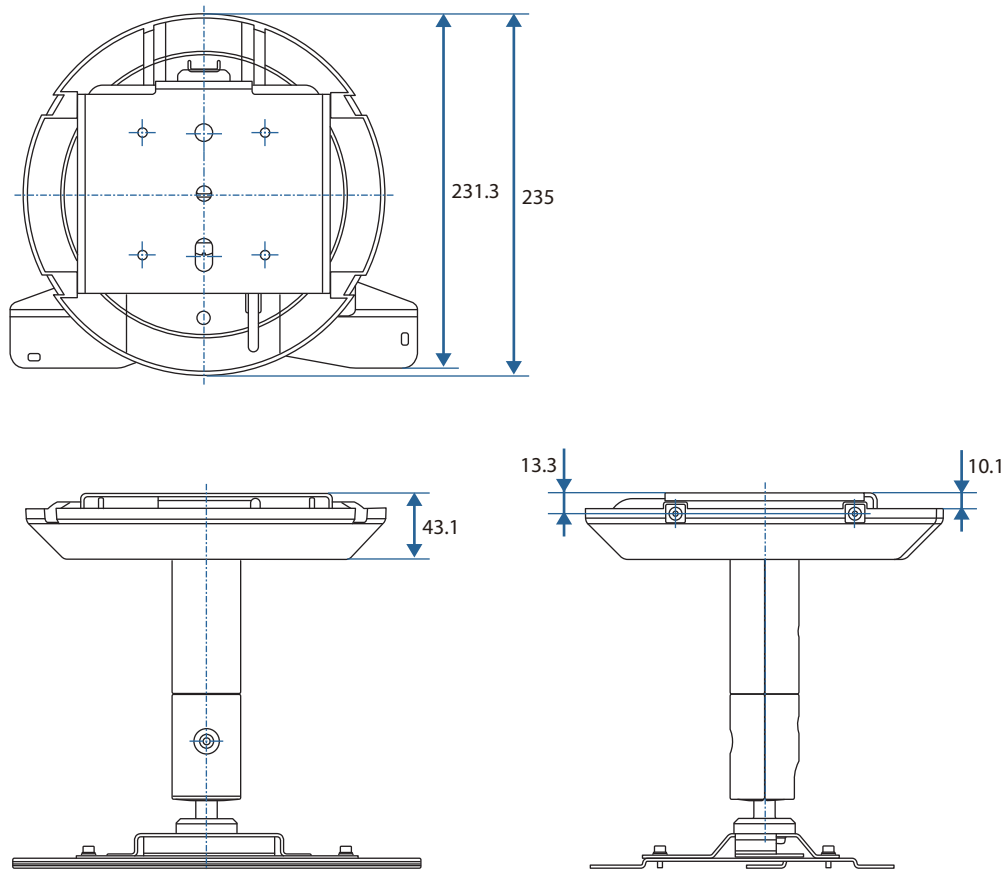
外形寸法図

[単位：mm]

金具カバーを外した状態



金具カバーを付けた状態



©SEIKO EPSON CORPORATION 2019. All rights reserved.

Türkiye'deki kullanıcılar için
AEEE Yönetmeliğine Uygundur.